

REVISED: 12-9-65

CHECKER MOTORS CORP., KALAMAZOO, MICH.

GRAPHIC ILLUSTRATION
B.R. PARTITION - 3/4" GLASS

DATE
12-9-65

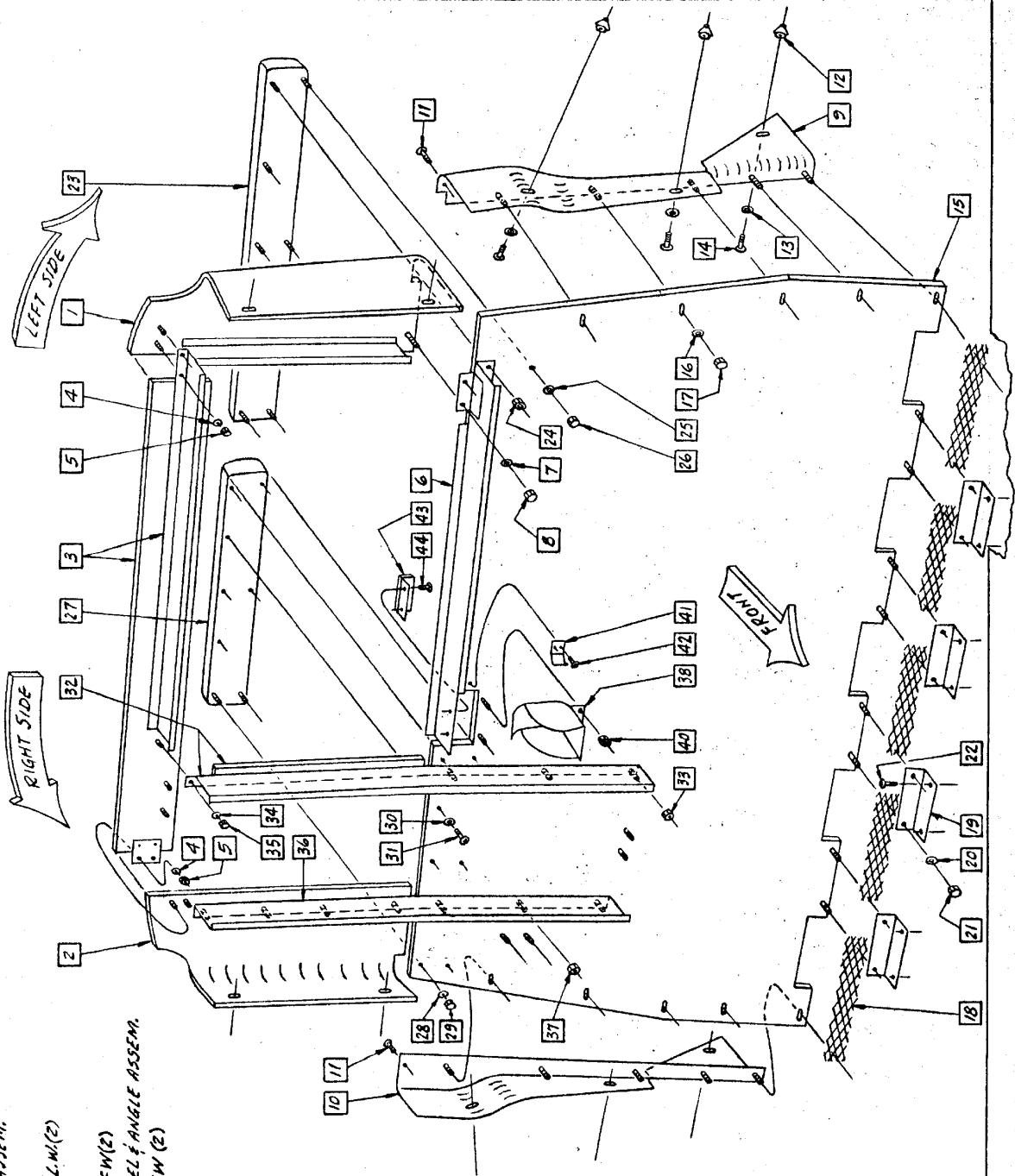
MODEL A-11
BODY

SHEET No.
295

DRN. G. ECKSTROM
CHK. R. S. HARRIS
APP'D. J. HAN 1/9/65

- 38 643807 BOX ASSEM.
- 39
- 40 271172 NUT & L.W. (2)
- 41 636347 CLIP
- 42 448655 SCREW (2)
- 43 643247 PANEL & ANGLE ASSEM.
- 44 163158 SCREW (2)

- 1 643811 PANEL ASSEM.
- 2 643812 PANEL ASSEM.
- 3 641640 PANEL ASSEM.
- 4 120392 WASHER (4)
- 5 446620 NUT (4)
- 6 641562 MEMBER ASSEM.
- 7 120392 WASHER (2)
- 8 446620 NUT (2)
- 9 643801 PANEL ASSEM.
- 10 643802 PANEL ASSEM.
- 11 163158 SCREW (2)
- 12 626448 JACK NUT (10)
- 13 626516 L.W. (10)
- 14 189129 SCREW (10)
- 15 643805 PANEL ASSEM.
- 16 120392 WASHER (10)
- 17 446620 NUT (10)
- 18 642798 GRILLE (5)
- 19 642799 ANGLE (4)
- 20 120392 WASHER (8)
- 21 446620 NUT (8)
- 22 161895 SCREW (8)
- 23 643487 PAD ASSEM.
- 24 271172 NUT & L.W. ASSEM (5)
- 25 120392 WASHER (3)
- 26 446620 NUT (3)
- 27 643488 PAD ASSEM.
- 28 120392 WASHER (2)
- 29 446620 NUT (2)
- 30 626516 L.W. (6)
- 31 189129 SCREW (6)
- 32 641569 BAR ASSEM.
- 33 271172 NUT & L.W. ASSEM (6)
- 34 120392 WASHER
- 35 446620 NUT
- 36 641220 GUIDE ASSEM.
- 37 271172 NUT & L.W. ASSEM. (7)



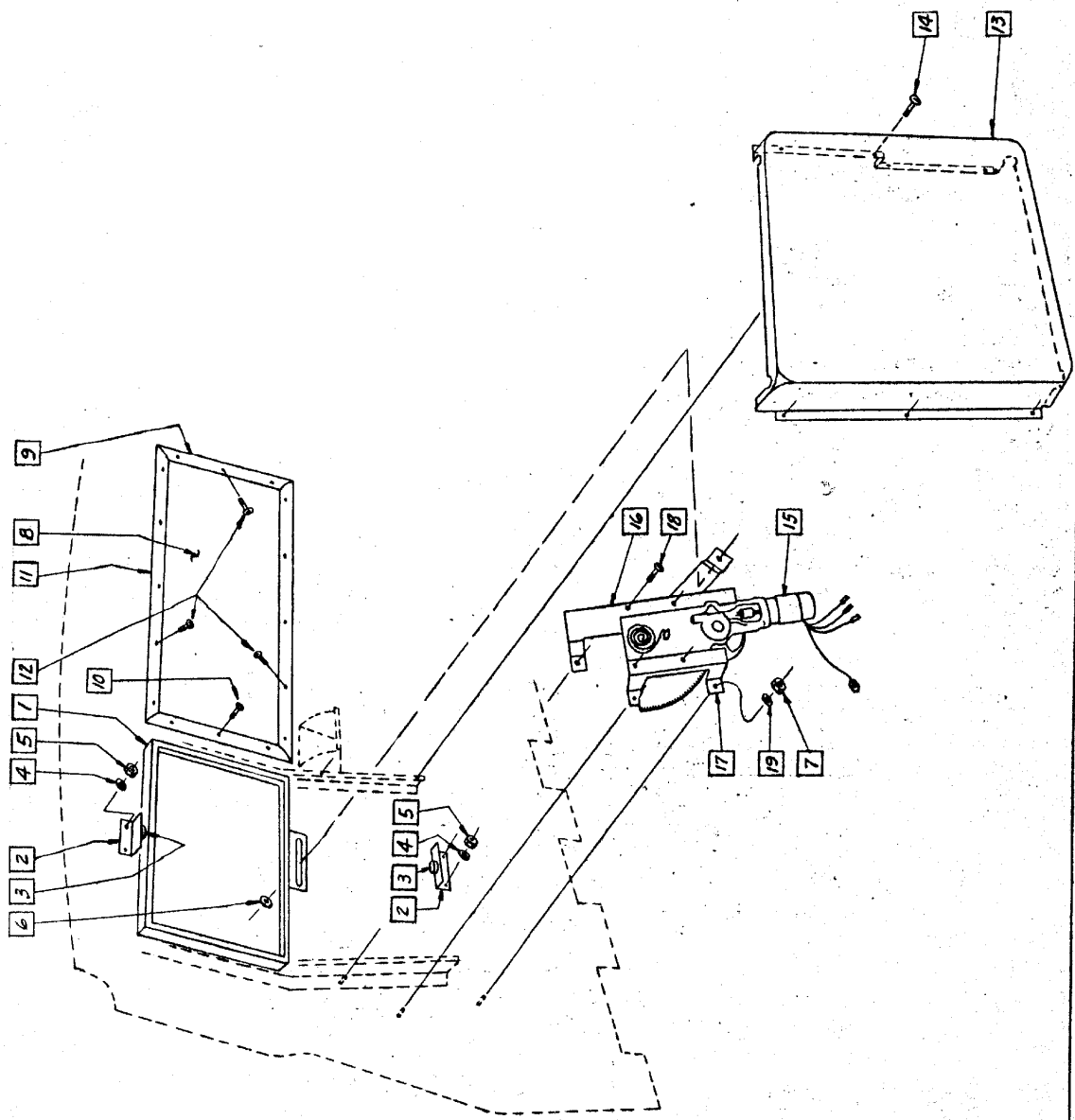
(1) ADDL. COPY BODY ENCL.

REVISED 12-9-65

CHECKER MOTORS CORP., Kalamazoo, Mich.

MODEL A-11	DATE 12-9-65	GRAPHIC ILLUSTRATION	DRAWN: KERNEY 11-1-65	SHEET NO. 295A
BODY		B.P. PARTITION - 3/4" GLASS	CHK: R-S 9-65 W.W. Shuman	
			APPROV: J.M. 12/9/65	

- 1 641857 GLASS FRAME ASSEM.
- 2 642670 BRKT. (2)
- 3 622702 BUMPER (2)
- 4 120392 WASHER (4)
- 5 446620 NUT (4)
- 6 626932 RETAINER
- 7 271172 NUT F.L.W. ASSEM. (3)
- 8 640525 GLASS
- 9 642835 MLDG. (2)
- 10 168488 SCREW (3)
- 11 642834 MLDG. (2)
- 12 626673 SCREW (13)
- 13 643825 COVER
- 14 274105 SCREW (6)
- 15 643810 REGULATOR ASSEM.
- 16 640517 BRKT.
- 17 640518 BRKT.
- 18 187987 SCR. F.L.W. (4)
- 19 120392 WASHER (3)



(1) BODY COVER BODY ENGR.

CHECKER MOTORS CORP., KALAMAZOO MICH.

MODEL A-11

DATE 4-14-66

BODY

GRAPHIC ILLUSTRATION

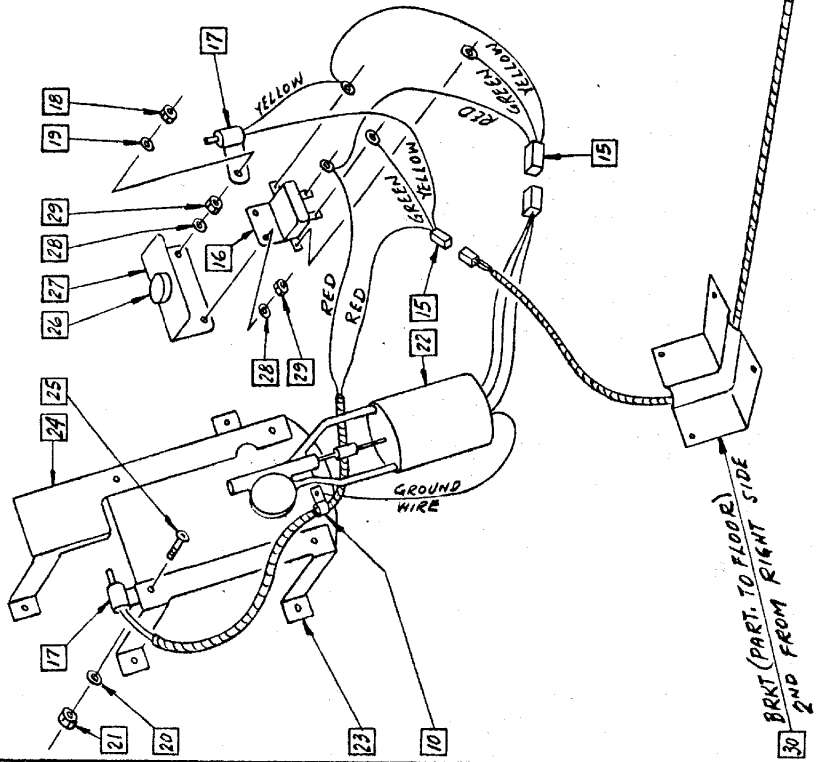
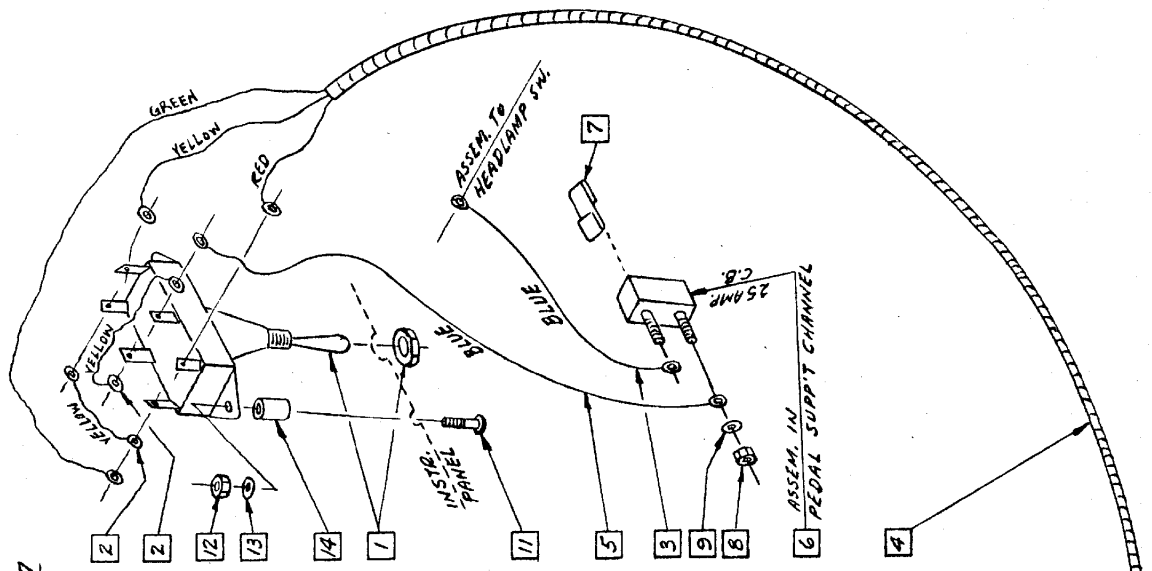
SHEET No.

295-B

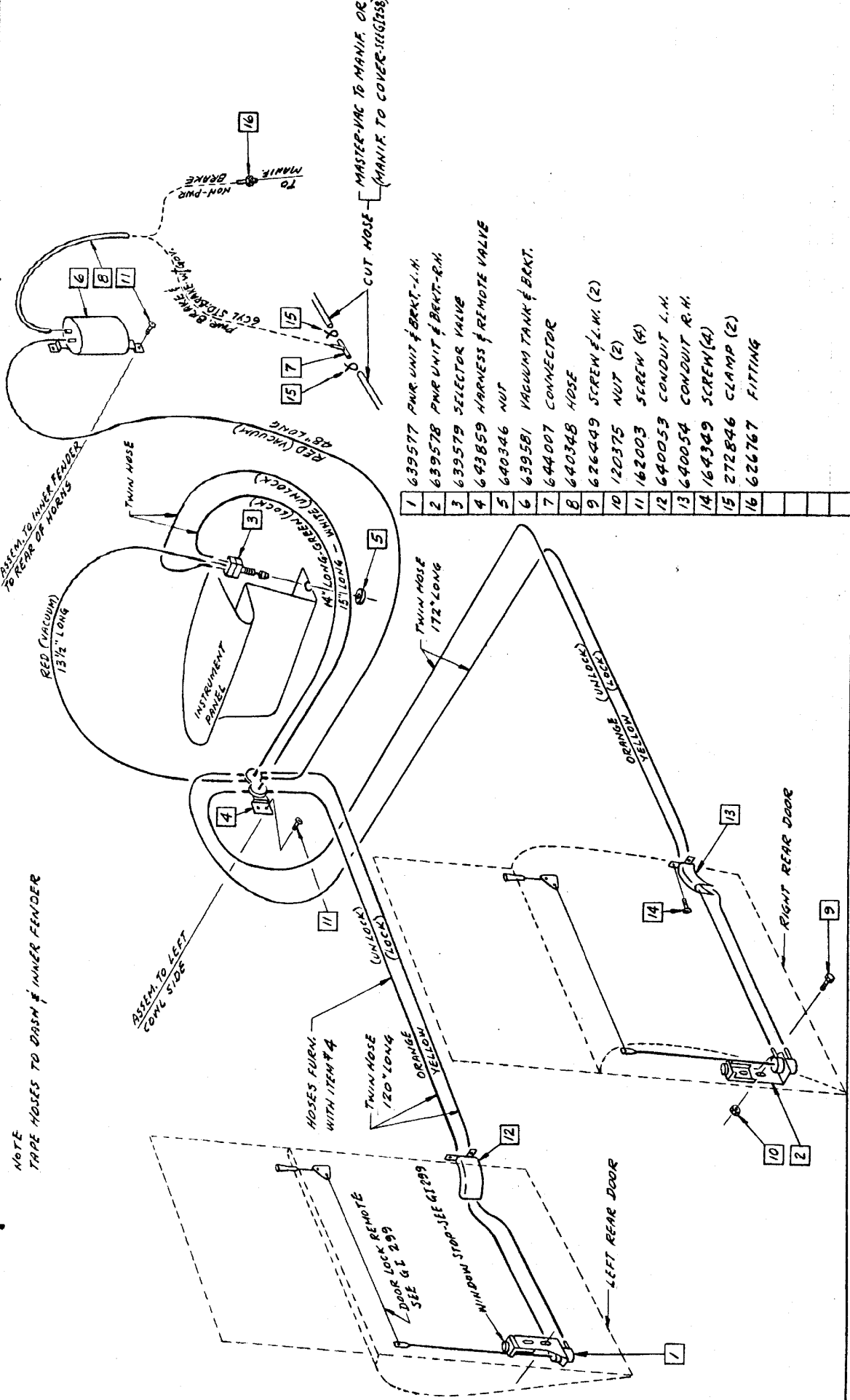
DRAWN BY KERNY
 CHK. BY J. H. G.
 APPR. BY J. H. G. 4/11/66

SAFEGUARD PARTITION - ELECTRICAL

- | | | |
|----|-------------------------|---------------------|
| 1 | 643063 SWITCH ASSEM. | SEE 643847 ASSEMBLY |
| 2 | 635279 LEAD ASSEM. (2) | |
| 3 | 97328 CABLE ASSEM. | SEE 643887 ASSEMBLY |
| 4 | 643846 HARNESS ASSEM. | |
| 5 | 97329 CABLE ASSEM. | SEE 643887 ASSEMBLY |
| 6 | 639893 CIRCUIT BREAKER | |
| 7 | 626273 CLIP | SEE 643887 ASSEMBLY |
| 8 | 120614 NUT (2) | |
| 9 | 138479 WASHER (2) | SEE 643887 ASSEMBLY |
| 10 | 80361 CLIP | |
| 11 | 159659 SCREW (2) | SEE 643887 ASSEMBLY |
| 12 | 120622 NUT (2) | |
| 13 | 138530 L.W. (2) | SEE 643887 ASSEMBLY |
| 14 | 640276 SPACER (2) | |
| 15 | 643888 HARNESS ASSEM. | SEE 643887 ASSEMBLY |
| 16 | 639090 RELAY ASSEM. | |
| 17 | 95066 SWITCH ASSEM. (2) | SEE 643887 ASSEMBLY |
| 18 | 120375 NUT | |
| 19 | 174976 L.W. | SEE 643887 ASSEMBLY |
| 20 | 125751 L.W. | |
| 21 | 121743 NUT | SEE 643887 ASSEMBLY |
| 22 | 643810 REGULATOR ASSEM. | |
| 23 | 640518 BRKT. | SEE 643887 ASSEMBLY |
| 24 | 640517 BRKT. | |
| 25 | 155289 SCREW | SEE 643887 ASSEMBLY |
| 26 | 622702 BUMPER | |
| 27 | 642670 BRKT | SEE 643887 ASSEMBLY |
| 28 | 120392 WASHER (2) | |
| 29 | 446620 NUT (2) | SEE 643887 ASSEMBLY |
| 30 | 642799 ANGLE | |



(1) ADDL COP. BODY ENGR.



NOTE
 TAPE HOSES TO DASH & INNER FENDER

- | | | |
|----|--------|-----------------------|
| 1 | 639577 | PNR UNIT & BRKT.-L.H. |
| 2 | 639578 | PNR UNIT & BRKT.-R.H. |
| 3 | 639579 | SELECTOR VALVE |
| 4 | 643859 | HARNES & REMOTE VALVE |
| 5 | 640346 | NUT |
| 6 | 639581 | VACUUM TANK & BRKT. |
| 7 | 644007 | CONNECTOR |
| 8 | 640348 | HOSE |
| 9 | 626449 | SCREW & L.H. (2) |
| 10 | 120375 | NUT (2) |
| 11 | 62003 | SCREW (4) |
| 12 | 640053 | CONDUIT L.H. |
| 13 | 640054 | CONDUIT R.H. |
| 14 | 64349 | SCREW (4) |
| 15 | 272846 | CLAMP (2) |
| 16 | 626767 | FITTING |

(1) ADD'L. COPY TO BODY ENG

CHECKER MOTORS CORP., KALAMAZOO MICHIGAN.

MODEL A-11 Body

DATE 5-25-67

GRAPHIC ILLUSTRATION
SAFEGUARD PARTITION - ELECTRICAL

DWN. SKINNER
CHK-GRK 5-29-67
APPVD.

SHEET NO. 295-D

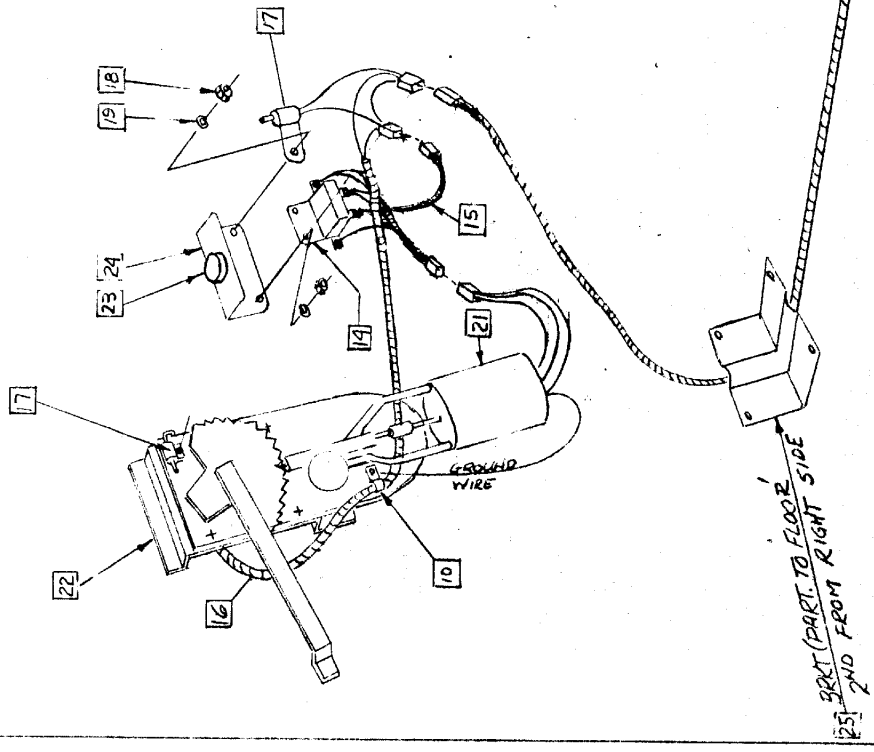
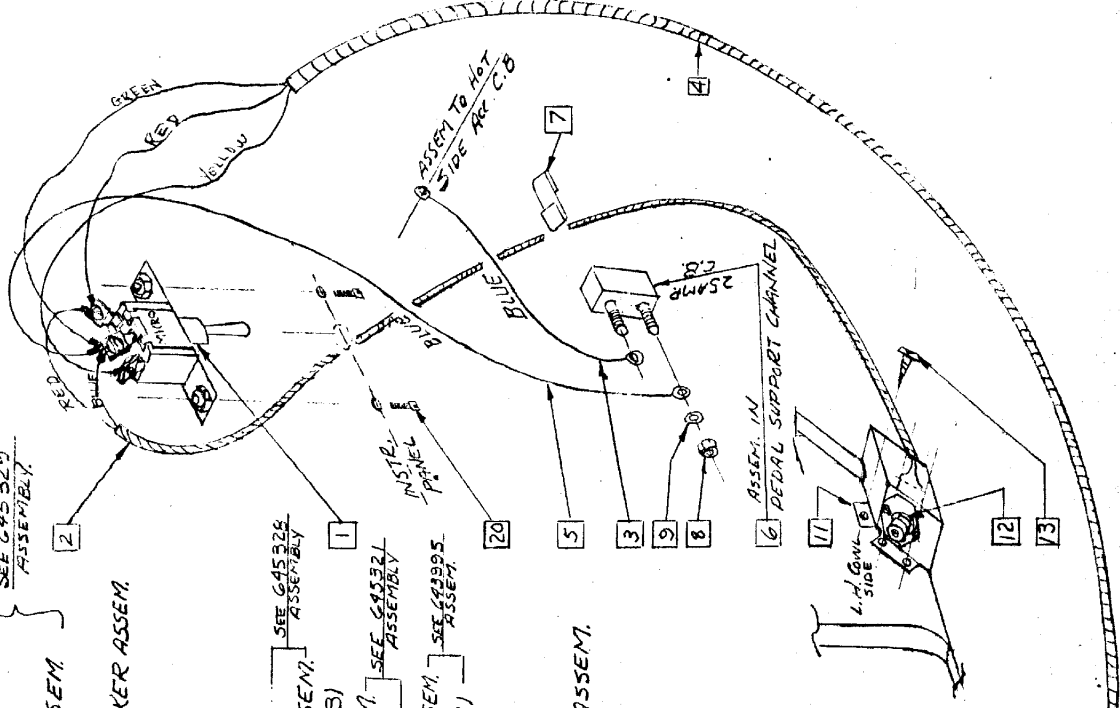
1	635123 SWITCH ASSEM.
2	645327 HARNESS ASSEM.
3	645252 WIRE ASSEM.
4	643846 HARNESS ASSEM.
5	645252 WIRE ASSEM.
6	639893 CIRCUIT BREAKER ASSEM.
7	626273 CLIP
8	120614 NUT (2)
9	138479 WASHER (2)
10	80361 CLIP
11	649278 MOUNTING
12	645320 SWITCH ASSEM.
13	9411537 - SCREW (3)
14	639040 RELAY ASSEM.
15	645325 HARNESS
16	643932 HARNESS ASSEM.
17	95066 SWITCH ASSEM. (2)
18	120375 NUT (2)
19	174916 WASHER (2)
20	137899 SCREW (2)
21	645217 REGULATOR ASSEM.
22	644207 FRKT.
23	622702 BUMPER
24	642670 BRKT.
25	642799 ANGLE

SEE 645329 ASSEMBLY

SEE 645326 ASSEMBLY

SEE 645321 ASSEMBLY

SEE 643995 ASSEMBLY



(1) ADDL COPY - BODY ENGINEERING

PER MEMO 183

CHECKER MOTORS CORP., KALAMAZOO, MICH.

MODEL: A-11, A-11E	DATE	SHEET NO. 295 E
BODY	6-27-67	
GRAPHIC ILLUSTRATION		
SAFE GUARD PARTITION		
3/4" GLASS		
(WELDED CONSTRUCTION)		

1 645281 - PART. ASSEM. 645280 ASSEM.

2 626768 - STUD (20)

3 644256 - RETAINER

4 626642 - RIVET (9)

5 644257 - CHANNEL

6 645287 - PANEL BOLT ASSEM. L.H.

7 645288 - PANEL BOLT ASSEM. R.H.

8 641569 - BAR ASSEM.

9 644261 - GRILL (2)

10 644262 - ANGLE

11 120392 - WASHER (10)

12 446620 - NUT (10)

13 645289 - PAD ASSEM. L.H.

14

15 645286 - MEMBER ASSEM.

16 271172 - NUT & L.W. ASSEM. (15)

17 645290 - PAD ASSEM. R.H.

18 180129 - SCREW (8)

19 626516 - L.W. (13)

20 645293 - GUIDE ASSEM.

21 643884 - BOX INSERT ASSEM.

22 636347 - CLIP

23 170988 - SCREW-HEX TAPP. (2)

24 645297 - PANEL TANGLE ASSEM.

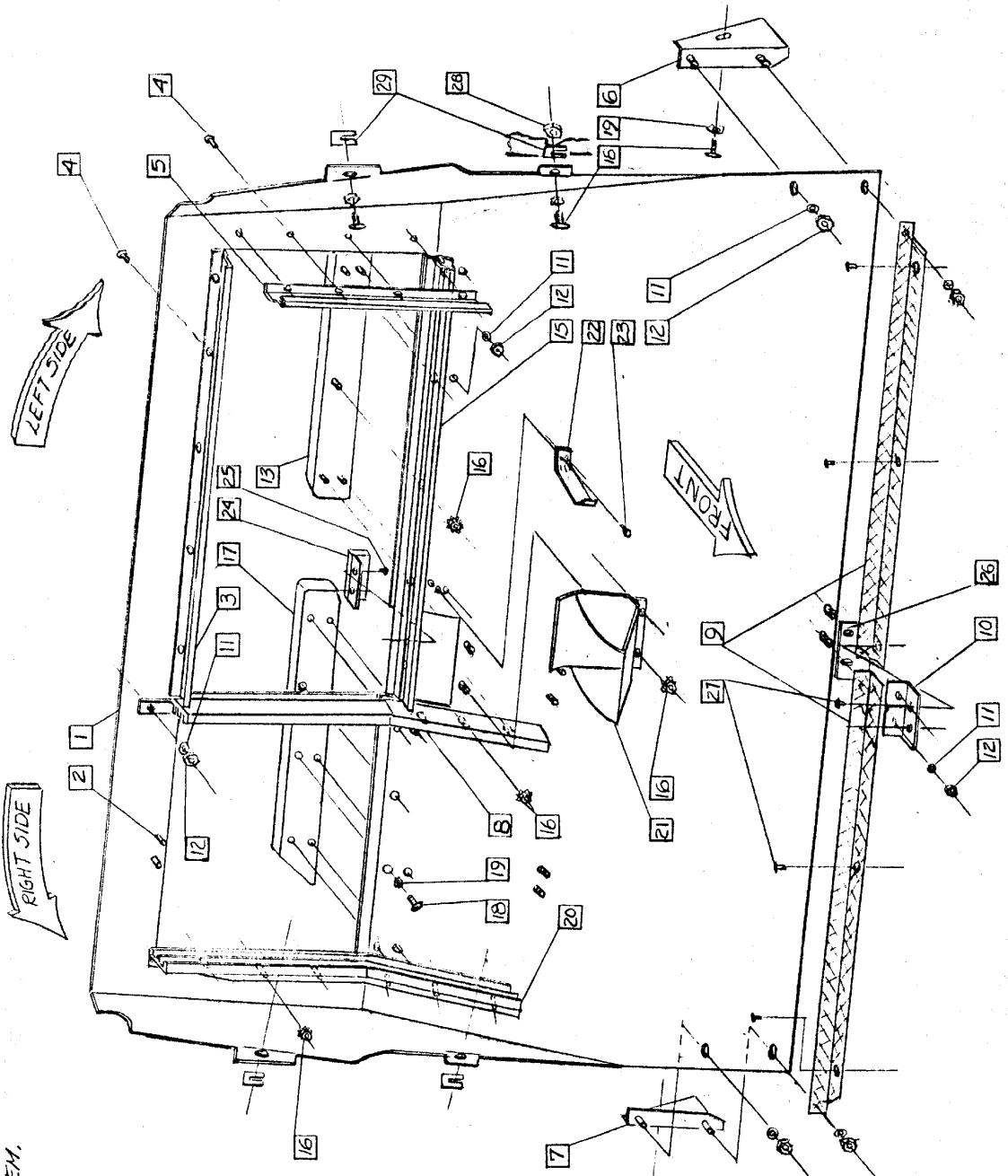
25 163158 - SCREW. (2)

26 644277 - PLATE

27 161895 - SCREW (6)

28 626446 - JACK NUT (6)

29 92270 - SHIM (SHIMS RECD.)



(1) ADDL COPY - BODY ELECTRICALS