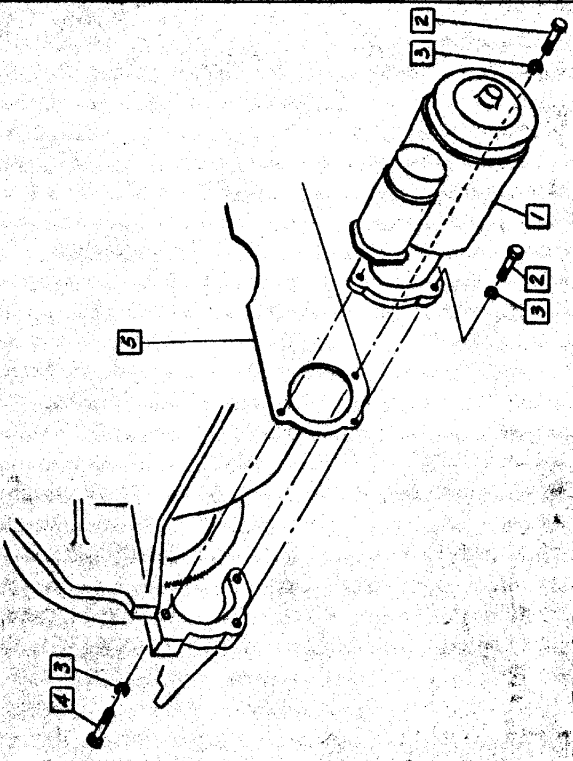


CHECONE MOTORS CORP., KALAMAZOO, MICH.

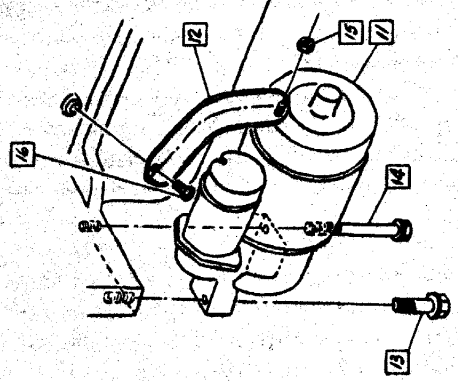
MODEL B-11 CHASSIS ALSO APPLIES TO B-12 B-ME	DATE 2-26-64	GRAPHIC ILLUSTRATIONS STARTING MOTOR	CHECKED BY E.D. 2-25-64	SHEET NO 221
			APPROV. 2-2-64	



- 1 701077 - MOTOR ASSEM. - STARTING
- 2 722145 - BOLT (2)
- 3 20382 - L.H. (3)
- 4 222148 - BOLT
- 5 PART OF ENGINE AS PURCHASED

△ 17-23 LBS. FT.

STD. TRANS.  
6CYL V8

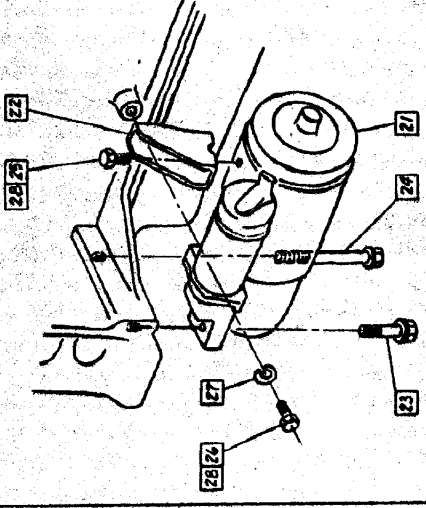


\*K-701194-KIT

- 1 701079 - MOTOR ASSEM. - STARTING
- 2 702204 - BRACE "K"
- 3 702203 - BOLT "K"
- 4 702202 - BOLT "K"
- 5 28446-NUT (ELASTIC STOP)
- 6 273867 - SCREW

△ 30-40 LBS. FT.  
△ 15-20 LBS. FT.  
△ 5-6 LBS. FT.

AUTO. TRANS.  
V8



\*K-701193-KIT

- 21 701078 - MOTOR ASSEM. - STARTING
- 22 702201 - BRACE "K"
- 23 702203 - BOLT "K"
- 24 702202 - BOLT "K"
- 25 28446-7-SCR. 1/2 IN.
- 26 180077 - BOLT
- 27 120214 - L.H.
- 28 TIGHTEN TO RECOMMENDED TORQUE AFTER STARTING MOTOR ATTACHING BOLTS HAVE BEEN TIGHTENED

△ 30-40 LBS. FT.  
△ 15-20 LBS. FT.

AUTO. TRANS.  
6CYL.