

CHECKER MOTORS CORP., KALAMAZOO, MICH.

MODEL

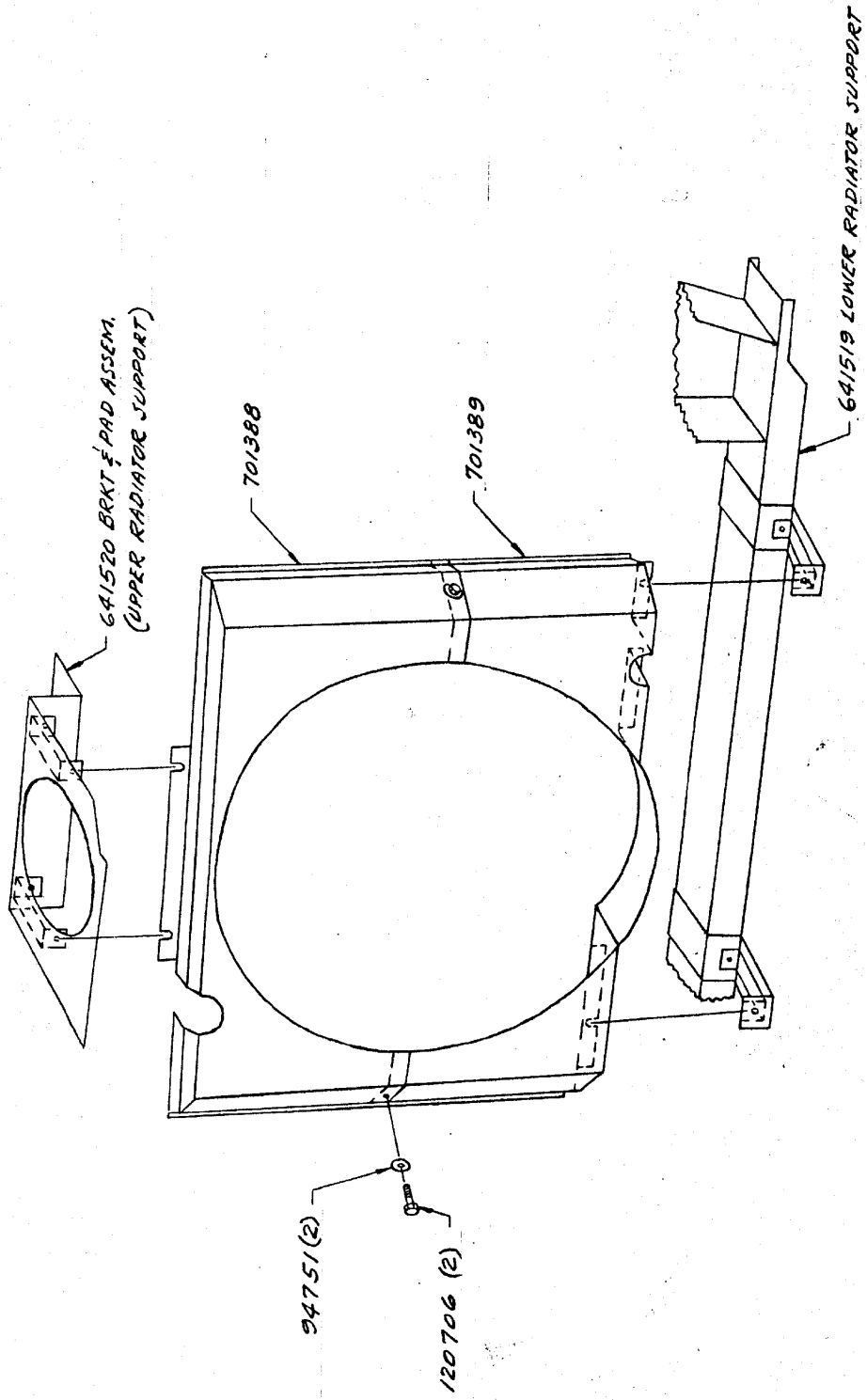
DATE

GRAPHIC ILLUSTRATION  
FAN SHROUD (FAN)

DRAWN U.K. 10-22-64

CHECKED  
APPLYD

261



CHECKER MOTORS CORP., KALAMAZOO, MICH.

MODEL B-11 B-12	CHASSIS B-12W B-12WB	DATE 5-21-65	GRAPHIC ILLUSTRATION	DWG. NO. 5-21-65	SHEET NO. 261
			SHROUD	CAR. APPR.	

