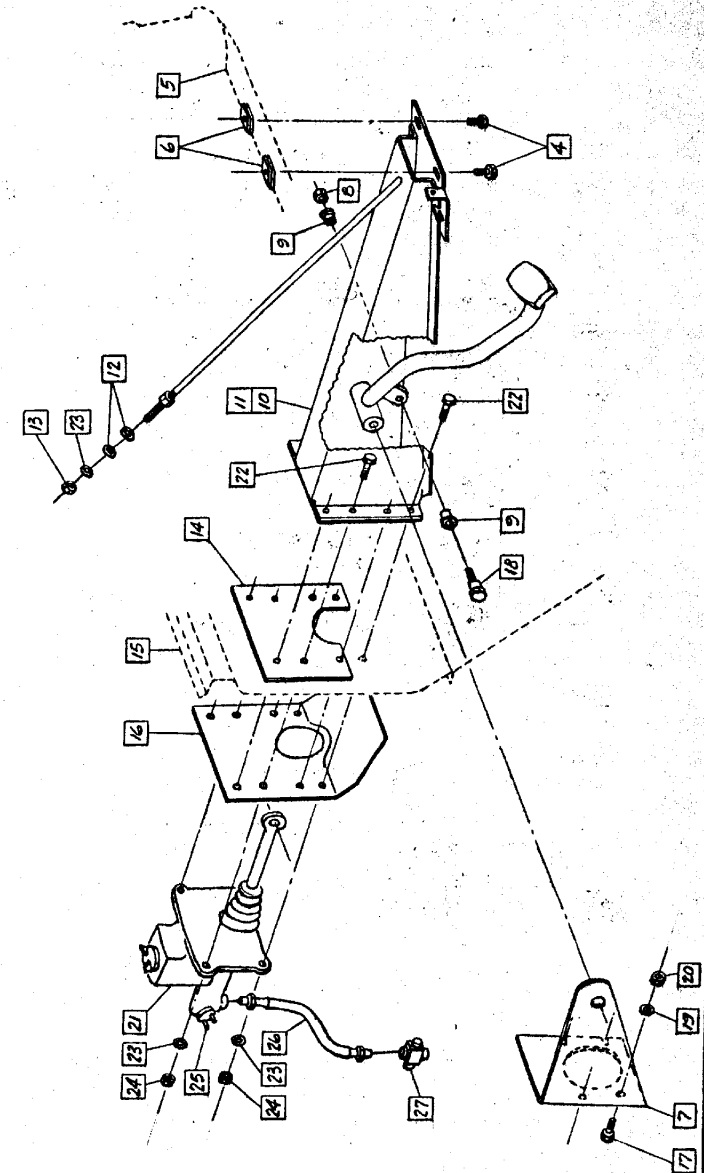
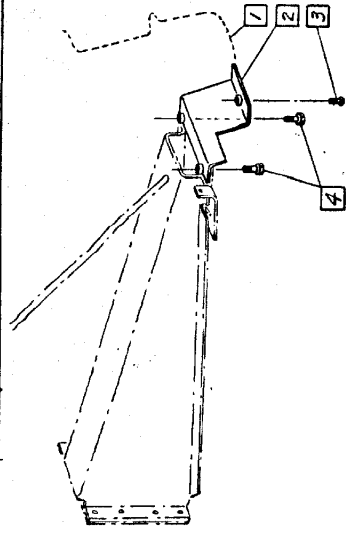


CHECKER MOTORS CORP., KALAMAZOO, MICH.

MODEL 511 CHASSIS DATE 4-30-64 SHEET NO. 233
 APPLIES TO B12 B12W B12E GRAPHIC ILLUSTRATION
 NON-POWER BRAKE & PEDAL SUPPT - 6CYL & V-8

- 1 INSTR. PANEL - PASS. CAR.
- 2 641514 - BRKT. & NUT ASSEM.
- 3 159659 - SCREW
- 4 181595 - BOLT (2)
- 5 INSTR. PANEL - CAB
- 6 98435 - NUT & RET. ASSEM. (2)
- 7 98509 - BRKT. - STD. TRANS ONLY
- 8 442828 - NUT
- 9 92432 - BUSHING (2)
- 10 701254 - PEDAL SUPPT. ASSEM. STD. TRANS.
- 11 701253 - PEDAL SUPPT. ASSEM. - AUTO. TRANS.
- 12 120394 - WASHER (2)
- 13 120369 - NUT
- 14 440734 - PLATE - REF. WELDED TO 15
- 15 DASH PANEL
- 16 702121 - PLATE
- 17 181595 - BOLT (6) - STD. TRANS. ONLY
- 18 92431 - BOLT
- 19 120214 - 1/4" WASHER (4) - STD. TRANS. ONLY
- 20 120368 - NUT (4) - STD. TRANS. ONLY
- 21 97321 - CYL. ASSEM. - BRAKE MASTER
- 22 181639 - BOLT (4)
- 23 120382 - 1/4" (5)
- 24 120369 - NUT (4)
- 25 24693 - STOP LIGHT SWITCH
- 26 95088 - HOSE ASSEM.
- 27 JUNCTION - REF. - SEE SHEET 218



233

NEVER ISSUED

CHECKER MOTORS CORP., KALAMAZOO, MICH.

GRAPHIC ILLUSTRATION

BRAKES - NON-POWER

DATE

CHASSIS

A11 A1E

MODEL A12 A1Z A12W6 A12WB

SHEET NO.

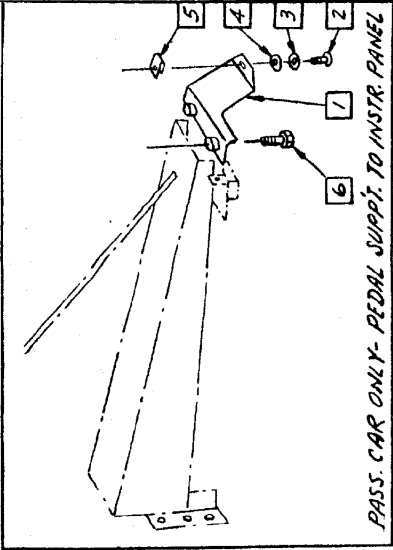
DRW. J.K. 10-18-66

CHK.

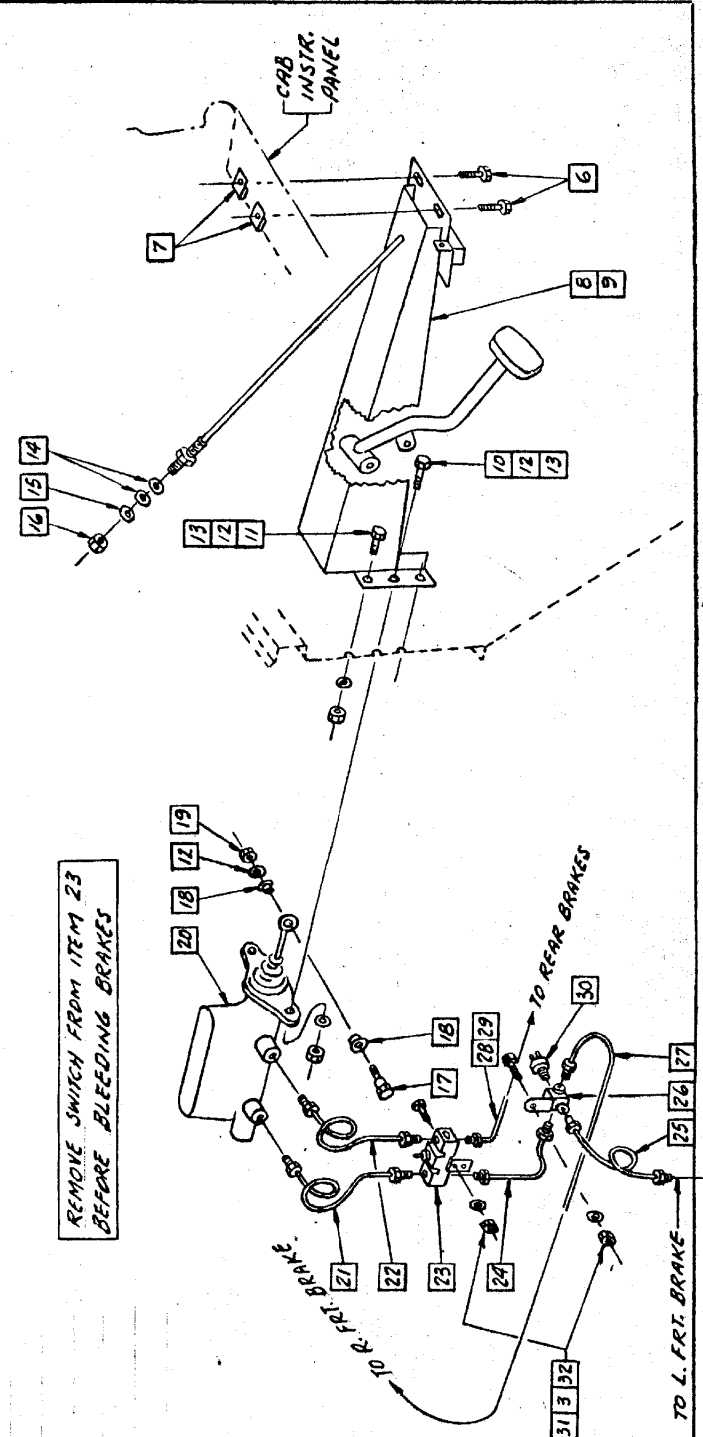
APP'D.

238

PROTOTYPE ONLY
NOT USED FOR PRODUCTION



- 1 641514 BRKT. & NUT ASSEM.
- 2 189129 SCREW
- 3 120380 L.W. (4)
- 4 120392 WASHER
- 5 626290 NUT RET.
- 6 181595 BOLT (2)
- 7 92435 NUT & RET. ASSEM. (2)
- 8 701798 PEDAL SUPPLY - STD. TRANS.
- 9 701801 PEDAL SUPPLY - AUTO TRANS.
- 10 181639 BOLT (2)
- 11 123520 BOLT (4)
- 12 120382 L.W. (7)
- 13 120369 NUT (6)
- 14 120394 WASHER (2)
- 15 120382 L.W.
- 16 120369 NUT
- 17 92431 BOLT
- 18 92432 BUSHING (2)
- 19 120369 NUT
- 20 701787 CYL. ASSEM. BRAKE MASTER
- 21 701831 TUBE ASSEM.
- 22 701832 TUBE ASSEM.
- 23 701823 VALVE ASSEM.
- 24 701837 TUBE ASSEM.
- 25 701838 TUBE ASSEM.
- 26 94414 JUNCTION
- 27 701840 TUBE ASSEM.
- 28 93953 TUBE ASSEM. (B-11)
- 29 97501 TUBE ASSEM. (B-11E)
- 30 24693 SWITCH - STOP LIGHT
- 31 120854 BOLT (3)
- 32 120375 NUT (3)



REMOVE SWITCH FROM ITEM 23 BEFORE BLEEDING BRAKES

CHECKER MOTORS CORP, KALAMAZOO, MICH.

GRAPHIC ILLUSTRATION

PEDAL SUPPORT - (STD. TRANS.)

DATE

11-1-65

CHASSIS

MODEL B-18 BIZE B12N638

DWG. - JERNEY

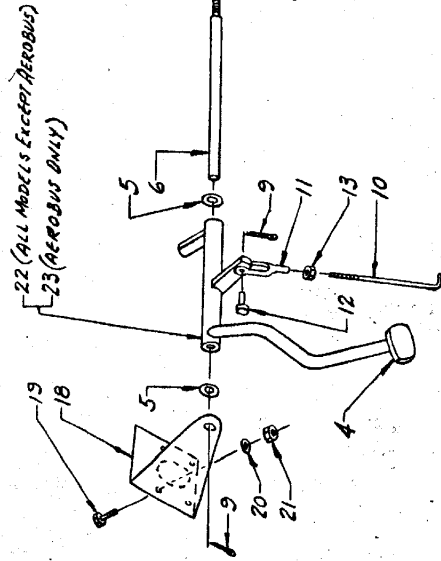
CHK.

APPR.

SHEET No.

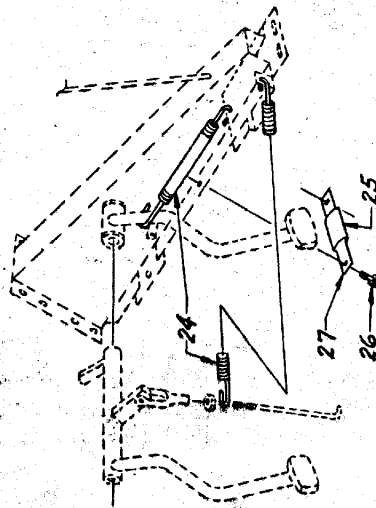
233-A

QTY	PART ASSEM.	PWR. AEROBUS		NON-PWR.	
		PWR.	NON-PWR.	PWR.	NON-PWR.
1	701480	1	1	1	1
2	702637	2	2	2	2
3	70107	1	1	1	1
4	94431	2	2	2	2
5	94703	4	4	4	4
6	94435	1	1	1	1
7	120382	1	1	1	1
8	120369	2	2	2	2
9	103385	10	10	10	10
10	702072	11	11	11	11
11	144254	12	12	12	12
12	174785	1	1	1	1
13	120369	1	1	1	1
14	133115	1	1	1	1
15	124824	2	2	2	2
16	94771	1	1	1	1
17	98462	1	1	1	1
18	98509	1	1	1	1
19	181595	4	4	4	4
20	120214	4	4	4	4
21	120368	4	4	4	4
22	701248	1	1	1	1
23	701591	1	1	1	1
24	702089	2	2	2	2
25	702153	1	1	1	1



BASIC PEDAL SUPPT.

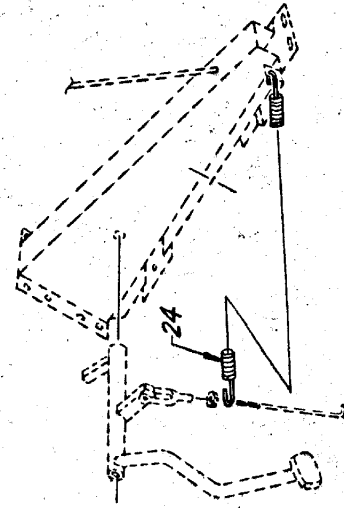
TO ASSEMBLE PEDAL SUPPT TO:-
CLUTCH BELL CRANK - SEE GI- 211 & 212
STEERING COLUMN - SEE GI- 213
CONVL. INSTR. PANEL & MASTER BRAKE CYL - SEE GI-233, 234 & 235



(ALL MODELS EXCEPT AEROBUS)

NON-POWER BRAKE

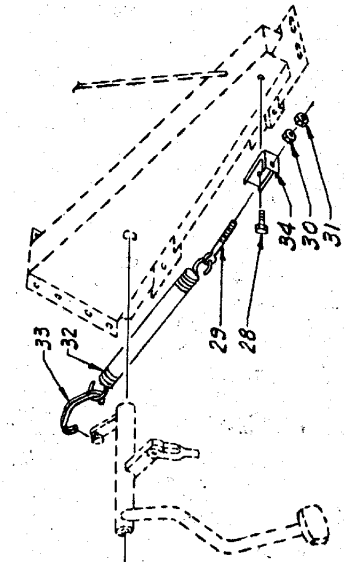
(ADD THESE ITEMS TO BASIC PEDAL SUPPT.)



(ALL MODELS EXCEPT AEROBUS)

POWER BRAKE

(ADD THIS ITEM TO BASIC PEDAL SUPPT.)



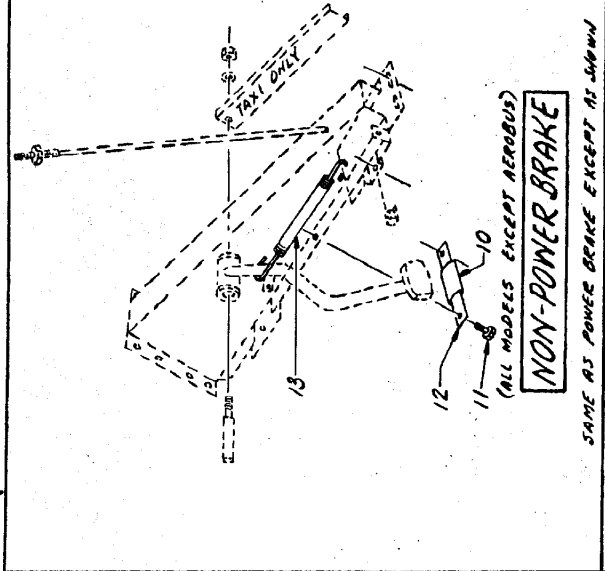
(AEROBUS ONLY)

POWER BRAKE

(ADD THESE ITEMS TO BASIC PEDAL SUPPT.)

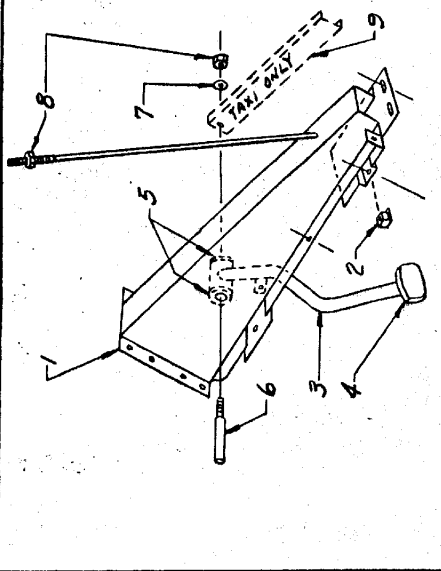
B-11 BILE
 MODEL B-12 BIRE
 B12W B12W648
 CHASSIS
 DATE 11-1-65
 GRAPHIC ILLUSTRATION
 PEDAL SUPPORT - (AUTO. TRANS.)
 CHECKER MOTORS CORP., KALAMAZOO, MICH.
 DUAL - KERNEY
 CHK.
 APP'D.
 SHEET NO. 233-B

	NON-PWR.	PWR.		
1	701480	SUPPT ASSEM.	1	1
2	702637	NUT RETAINER	2	2
3	701107	PEDAL ASSEM.	1	1
4	94431	COVER	1	1
5	94703	WASHER	2	2
6	94450	SHAFT	1	1
7	20382	L.W.	1	1
8	20369	NUT	2	2
9	98462	BRKT. - TAXI ONLY	1	1
10	702153	INSULATOR	1	1
11	448655	SCREW	2	2
12	702149	BRKT	1	1
13	702089	SPRING	1	1



(ALL MODELS EXCEPT AEROBUS)
NON-POWER BRAKE

SAME AS POWER BRAKE EXCEPT AS SHOWN



(ALL MODELS)
POWER BRAKE

10 ASSEM. PEDAL SUPPLY TO STEERING COLUMN - SEE G1-213
 CONVL. MSTR. PANEL & MASTER BRAKE CYL - SEE G1-233, 234 & 235

CHECKER MOTORS CORP, KALAMAZOO, MICH.

DATE

CHASSIS

GRAPHIC ILLUSTRATION

PEDAL SUPPORT - POWER BRAKE ADDITIONAL ITEMS

DRN.- KERNEY
CHK- H.S. 1/16 L.S.
APPUR-

SHEET NO.

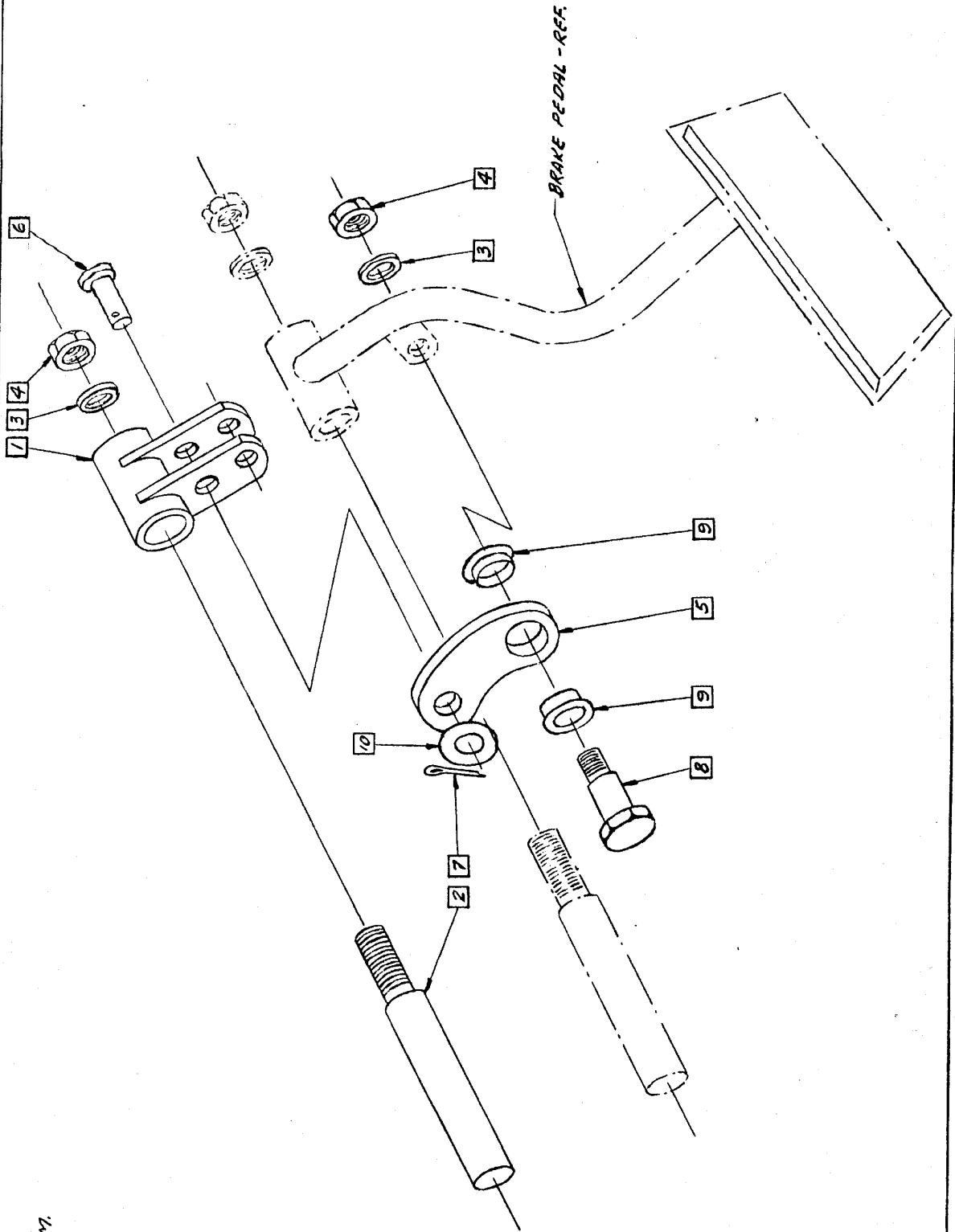
233-C

PER MEMO NO. 155

B11 B1E
MODEL B12 B1E
B12W B12W6FB

REF. SEE GI 233A, FB

- 1 701786 LEVER ASSEM.
- 2 94490 SHAFT
- 3 120382 L.W. (2)
- 4 120369 NUT (2)
- 5 702926 LINK
- 6 114785 CLEVIS PIN
- 7 103373 COTTER PIN
- 8 92431 BOLT
- 9 92432 BUSHING (2)
- 10 120394 WASHER

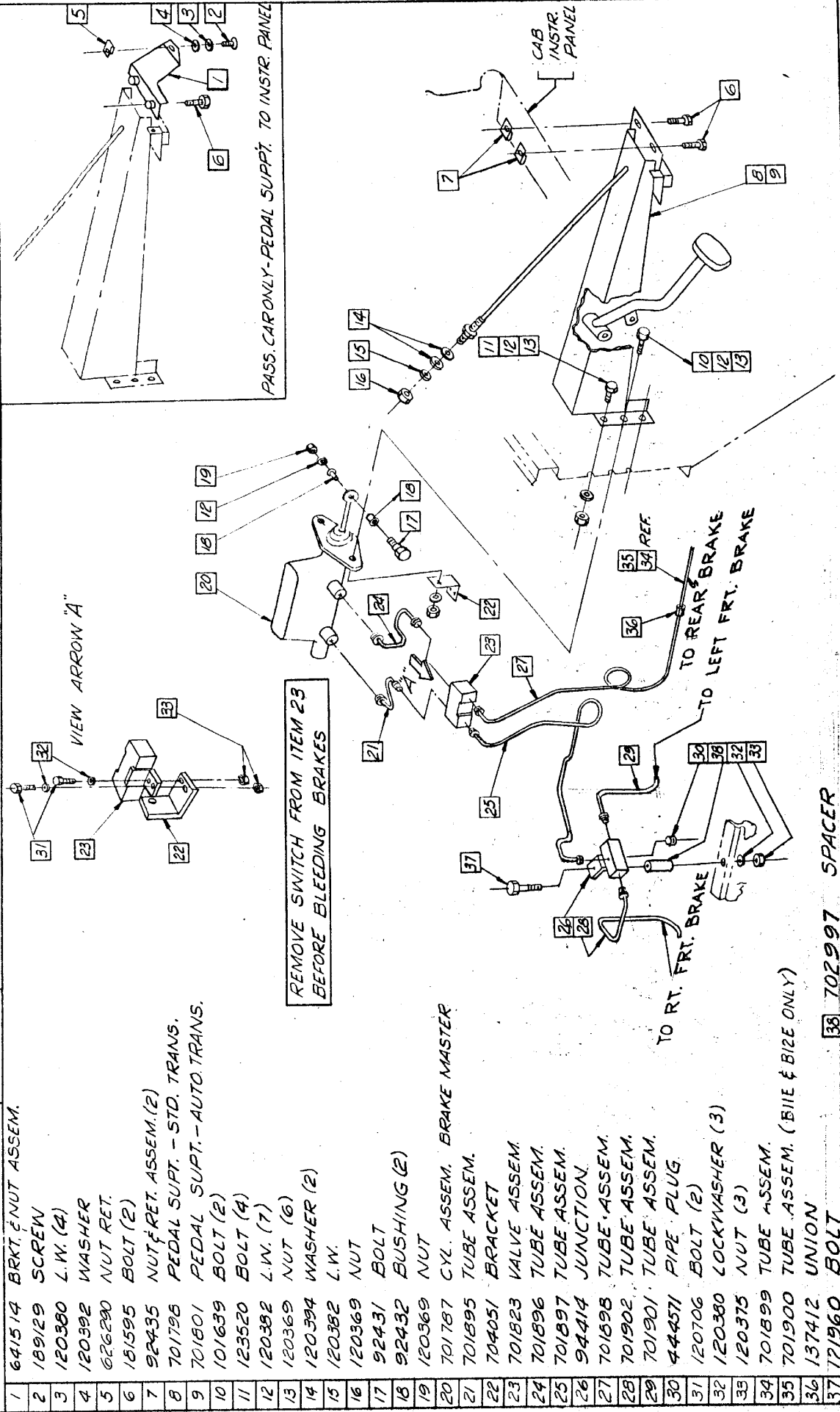


CHECKER MOTOR CORP. KALAMAZOO, MICHIGAN

GRAPHIC ILLUSTRATION
BRAKES - NON-POWER

MODEL: B-11 B-11E CHASSIS DATE 2-20-67
B-12 B-12E B-12W B-12WB B-12WB B-12WB

DWN. D. KING 12-29-66
CHK. RES. 12-30-66
APVD. PER MEMO #155
SHEET NO. 233-D



- 1 641514 BRKT. & NUT ASSEM.
- 2 189129 SCREW
- 3 120360 L.W. (4)
- 4 120392 WASHER
- 5 626290 NUT RET.
- 6 181595 BOLT (2)
- 7 92435 NUT & RET. ASSEM. (2)
- 8 701798 PEDAL SUPT. - STD. TRANS.
- 9 701801 PEDAL SUPT. - AUTO. TRANS.
- 10 101639 BOLT (2)
- 11 123520 BOLT (4)
- 12 120382 L.W. (7)
- 13 120369 NUT (6)
- 14 120394 WASHER (2)
- 15 120382 L.W.
- 16 120369 NUT
- 17 92431 BOLT
- 18 92432 BUSHING (2)
- 19 120369 NUT
- 20 701787 CYL. ASSEM. BRAKE MASTER
- 21 701895 TUBE ASSEM.
- 22 704051 BRACKET
- 23 701823 VALVE ASSEM.
- 24 701896 TUBE ASSEM.
- 25 701897 TUBE ASSEM.
- 26 94414 JUNCTION
- 27 701898 TUBE ASSEM.
- 28 701902 TUBE ASSEM.
- 29 701901 TUBE ASSEM.
- 30 444571 PIPE PLUG
- 31 120706 BOLT (2)
- 32 120360 LOCKWASHER (3)
- 33 120375 NUT (3)
- 34 701899 TUBE ASSEM.
- 35 701900 TUBE ASSEM. (B1E & B1E2 ONLY)
- 36 137412 UNION
- 37 121960 BOLT

38 702997 SPACER