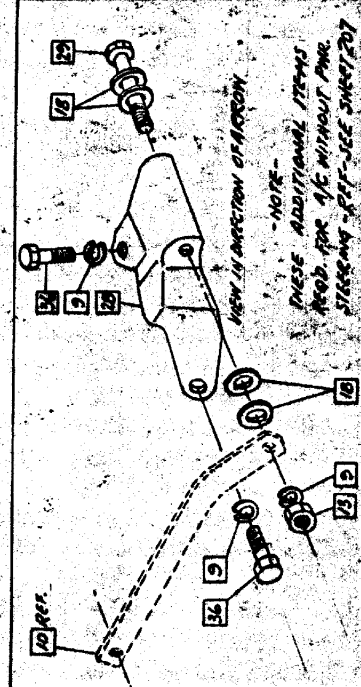
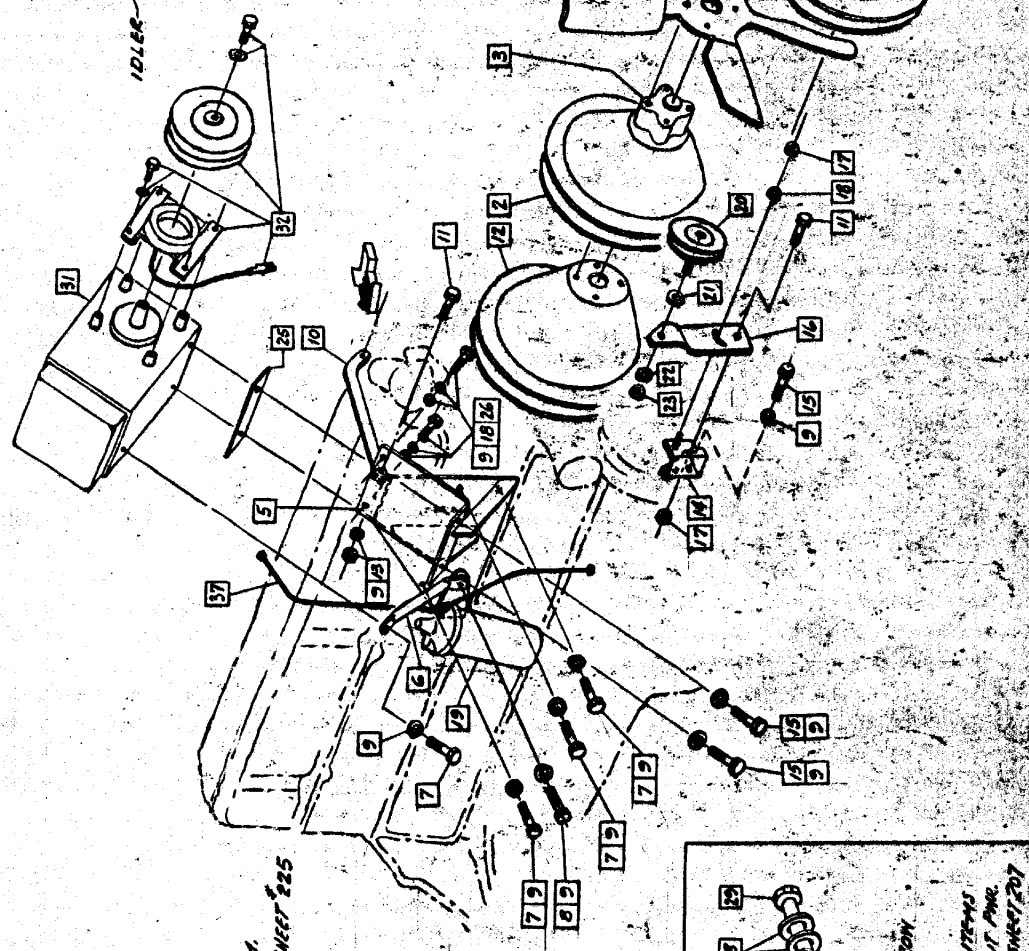
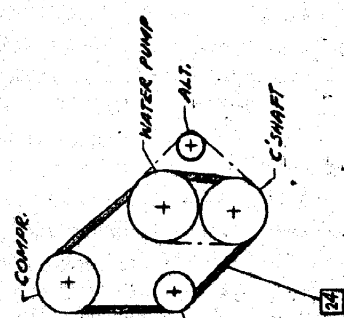


CHECKER MOTORS CORP., KALAMAZOO, MICH.

MODEL	B-11 CHASSIS	DATE	GRAPHIC ILLUSTRATION	SHEET NO.
APPLIC. 16	B-12 B-12U B-12E	4-15-64	AIR COND. WITH STD. STEERING - 6 CYL.	222
			APPROVED BY	
			APPLY TO	

- 1 702244 - PULLEY - C.S.
 - 2 702215 - PULLEY - W.R.
 - 3 702326 - SPACER
 - 4 701224 - FAN ASSEM.
 - 5 701263 - BRKT. ASSEM.
 - 6 702320 - BRACE
 - 7 122119 - BOLT (4)
 - 8 122145 - BOLT
 - 9 120382 - L.W. (18)
 - 10 702223 - BRACE
 - 11 181637 - BOLT (2)
 - 12 702107 - PULLEY - W.R. - REF.
 - 13 120369 - NUT (2)
 - 14 701264 - SUPPT. ASSEM.
 - 15 180122 - BOLT (4)
 - 16 702272 - BRKT.
 - 17 26101 - LOCK NUT (2)
 - 18 120396 - WASHER (7)
 - 19 701080 - 16% COIL - REF.
 - 20 97639 - PULLEY ASSEM.
 - 21 120388 - WASHER
 - 22 120389 - L.W.
 - 23 271501 - NUT
 - 24 702159 - BELT
 - 25 702370 - SPACER
 - 26 120318 - BOLT (2)
 - 27 702360 - SPACER
 - 28 702172 - SUPPT.
 - 29 189390 - BOLT
 - 30 181629 - BOLT (3) - REF.
 - 31 97666 - COMP. ASSEM.
 - 32 701228 - CLUTCH ASSEM.
 - 33 454808 - BOLT (4) - REF.
 - 34 120214 - L.W. (8) - REF.
 - 35 MECHANIC BALANCE - REF.
 - 36 122104 - BOLT (2)
 - 37 701267 TUBE ASSEM.
- OTHERWISE SAME AS SHEET 225



CHECKER MOTORS CORP., KALAMAZOO, MICH.

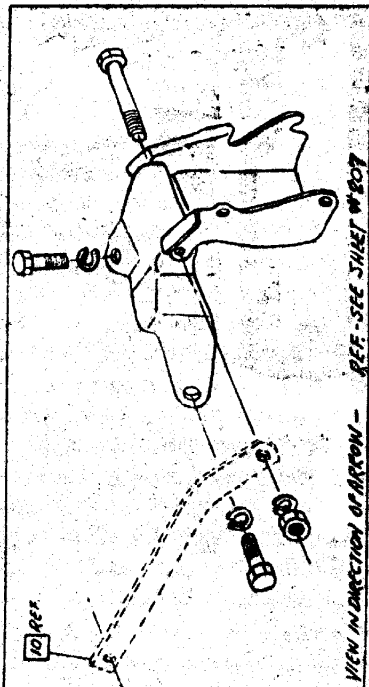
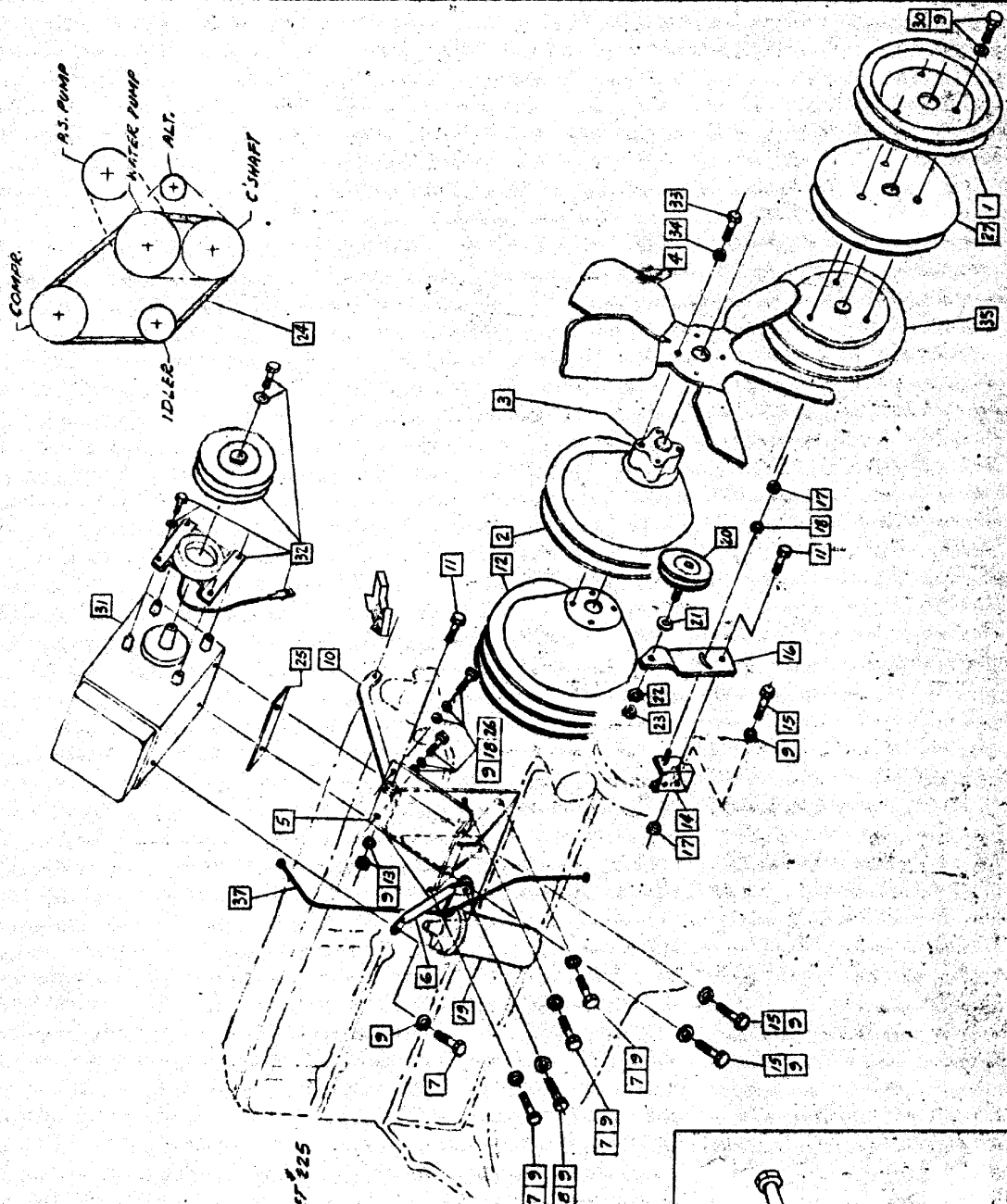
222A
 SHEET No. 4-15-64
 APPLIC. 4/15/64

GRAPHIC ILLUSTRATION

AIR COND. WITH POWER STEERING - 6 CYL.

MODEL B-11 CHASSIS
 B-12 B-12W
 APPLIES TO B-12E

DATE 4-15-64

1	702244 - PULLEY-G.S.	29	159918 - BOLT (2)
2	702215 - PULLEY-W.P.	30	702168 - PULLEY-F.S. - REF.
3	702326 - SPACER	31	181628 - BOLT (3) - REF.
4	701224 - FAN ASSEM.	32	97666 - COMP. ASSEM.
5	701263 - BRKT. ASSEM.	33	701228 - CLUTCH ASSEM.
6	702320 - BRACE	34	454888 - BOLT (4) - REF.
7	122119 - BOLT (4)	35	120214 - L. N. (4) - REF.
8	122145 - BOLT	36	HARMONIC BALANCER - REF.
9	120382 - L. N. (15)	37	701267 TUBE ASSEM.
10	702223 - BRACE		OTHERWISE SAME AS SHEET 225
11	181637 - BOLT (2)		
12	702169 - PULLEY-W.P. - REF.		
13	120369 - NUT		
14	701264 - SUPPLY ASSEM.		
15	180122 - BOLT (4)		
16	702372 - BRKT.		
17	56101 - LOCK NUT (2)		
18	120394 - WASHER (3)		
19	701080 - 16M. COIL - REF.		
20	97639 - PULLEY ASSEM.		
21	120388 - WASHER		
22	120383 - L. N.		
23	271501 - NUT		
24	702159 - BELT		
25	702370 - SPACER		


VIEW IN DIRECTION OF ARROW - REF. SEE SHEET 225