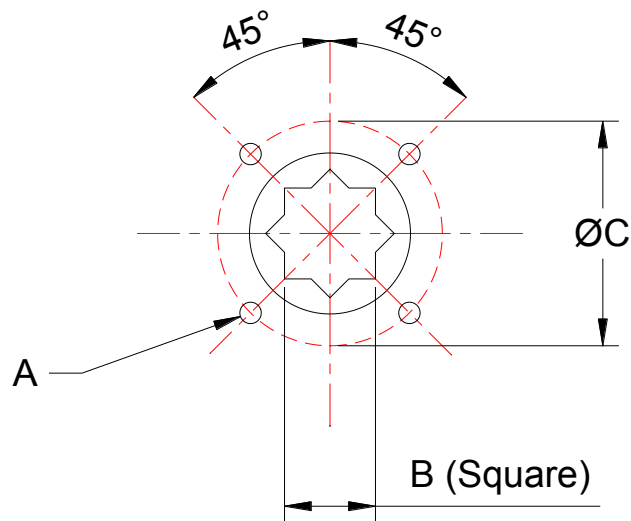


ISO5211 Industrial Valves - Part-turn Actuator Attachment

Valworx valves and actuators utilize the international ISO5211 standard mounting interface. This standard defines the actuator valve mounting dimensions and square output drive.



Flange Type	Max. Flange Torque Nm	A Threads (mm)	Minimum Thread Depth (mm)	Number of Bolts	B Female (mm)	C Diameter (mm)
F03	32	M5	8	4	9	36
F04	63	M5	8	4	9, 11	42
F05	125	M6	9	4	9, 11, 14	50
F07	250	M8	12	4	11, 14, 17	70
F10	500	M10	15	4	14, 17, 19, 22	102
F12	1000	M12	18	4	17, 19, 22, 27	125
F14	2000	M16	24	4	22, 27, 36	140
F16	4000	M20	30	4	27, 36, 46	165

Note: Output drive B (square) shows allowable sizes under ISO5211 standard. Check actuator specifications to confirm size. Most Valworx output drives are double square (star design) as shown above for ease of valve mounting.