

Features

- High temperature valve mounting kit for actuated valves
- Increases allowable media working temperature
- Conforms to international standard ISO5211/ DIN3337
- 304 stainless steel construction
- ISO5211 sizes F03 to F10 mounting
- Use as a wall mounting bracket for actuated valves

Applications

High temperature mounting kits are used to increase the allowable media operating temperature of an actuated valve assembly. The temperature rating of the valve and actuator should be taken into consideration when using a high temp kit. Mounting conforms to international standard ISO5211/ DIN3337. In addition, the bracket can be used to wall mount an actuated valve assembly.

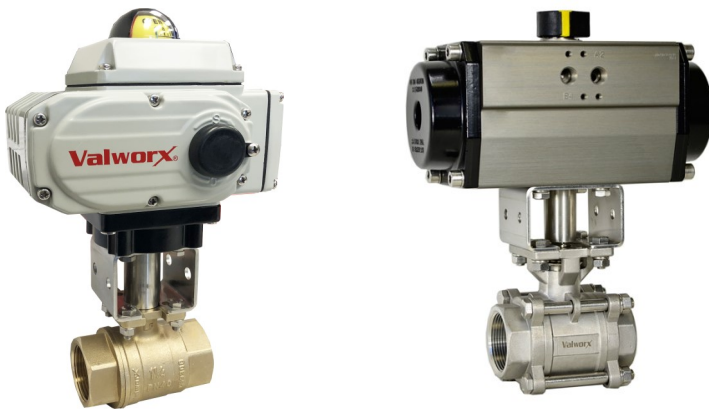


Operation

Stainless steel formed bracket and drive adapter mounts between a valve and actuator providing additional air cooling to the actuator.

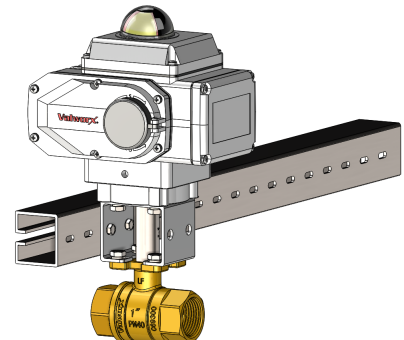
Description

High quality laser cut formed stainless steel brackets with precision machined couplers are designed for easy installation using the international standard ISO5211 mounting pattern. Stainless steel coupler is machined with a square male output and female square input drive. Two pair of additional holes on each bracket side are provided for mounting to customer supplied channel, angle iron or other custom brackets.



Construction

Bracket	Formed 304 stainless steel
Drive Coupling	304 stainless steel
Fasteners	Stainless steel 18-8



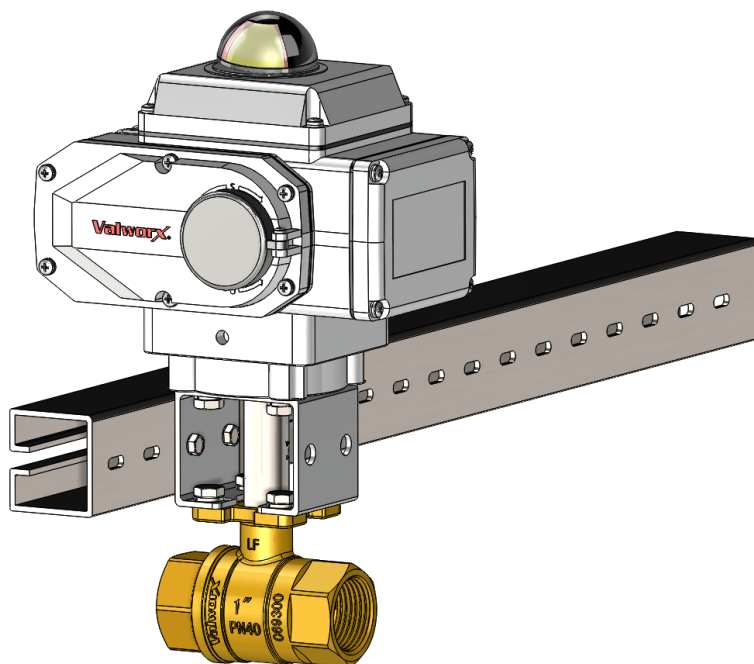
High Temp/Wall Mounting Kit

Stock Number	Description	ISO 5211 Valve Mounting	ISO 5211 Actuator Mounting	Drive Coupler male x female (mm)	Bracket Height (mm)
588128	HT Mounting Kit F03/ F05-9x9mm	F03/ F05	F03/ F05	9 x 9	50
588129	HT Mounting Kit F03/ F05-11x9mm	F03/ F05	F03/ F05	11 x 9	50
588130	HT Mounting Kit F03/ F05-11x11mm	F03/ F05	F03/ F05	11 x 11	50
588131	HT Mounting Kit F03/ F05-14x9mm	F03/ F05	F03/ F05	14 x 9	50
588132	HT Mounting Kit F03/ F05-14x11mm	F03/ F05	F03/ F05	14 x 11	50
588133	HT Mounting Kit F03/ F05-14x14mm	F03/ F05	F03/ F05	14 x 14	50
588135	HT Mounting Kit F05/ F07-11x11mm	F05/ F07	F05/ F07	11 x 11	50
588136	HT Mounting Kit F05/ F07-14x11mm	F05/ F07	F05/ F07	14 x 11	50
588137	HT Mounting Kit F05/ F07-14x14mm	F05/ F07	F05/ F07	14 x 14	50
588138	HT Mounting Kit F05/ F07-17x17mm	F05/ F07	F05/ F07	17 x 17	50
588139	HT Mounting Kit F07/ F10-14x14mm	F07/ F10	F07/ F10	14 x 14	50
588141	HT Mounting Kit F07/ F10-17x17mm	F07/ F10	F07/ F10	17 x 17	50

Note: Kit includes bracket and coupling, preinstalled when ordered with a Valworx valve assembly. When buying a loose kit (uninstalled), no fasteners are provided unless a Valworx valve assembly stock number is provided when placing an order.

Easy Wall Mounting

Holes are provided in the side of the formed high temperature bracket allowing for mounting actuated valve assemblies to customer supplied channel, angle iron or other custom brackets.



High Temperature Mounting Bracket

Stock Number	Description	ISO 5211 Valve Mounting	ISO 5211 Actuator Mounting	Bracket Height (mm)
588147	HT Bracket F03/ F05 x 50mm	F03/ F05	F03/ F05	50
588155	HT Bracket F05/ F07 x 50mm	F05/ F07	F05/ F07	50
588156	HT Bracket F07/ F10 x 50mm	F07/ F10	F07/ F10	50

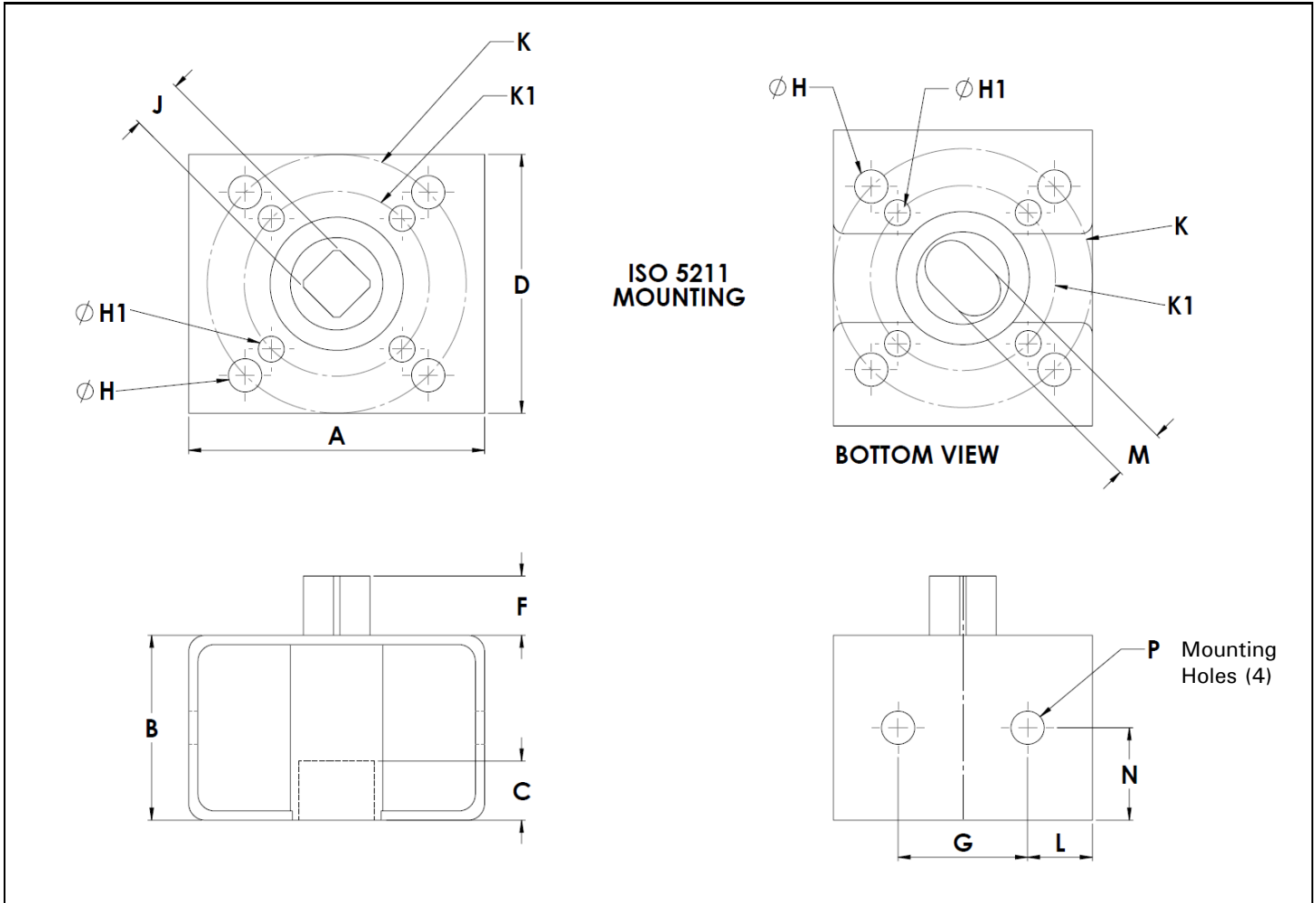
Note: High temperature bracket only (no coupler or fasteners).

High Temperature Mounting Coupler

Stock Number	Description	Male End Square (mm)	Female End Square (mm)	Used with Bracket Height (mm)
588165	HT Coupling 9x9x50mm	9	9	50
588167	HT Coupling 11x9x50mm	11	9	50
588168	HT Coupling 11x11x50mm	11	11	50
588169	HT Coupling 14x9x50mm	14	9	50
588170	HT Coupling 14x11x50mm	14	11	50
588171	HT Coupling 14x14x50mm	14	14	50
588174	HT Coupling 17x17x50mm	17	17	50

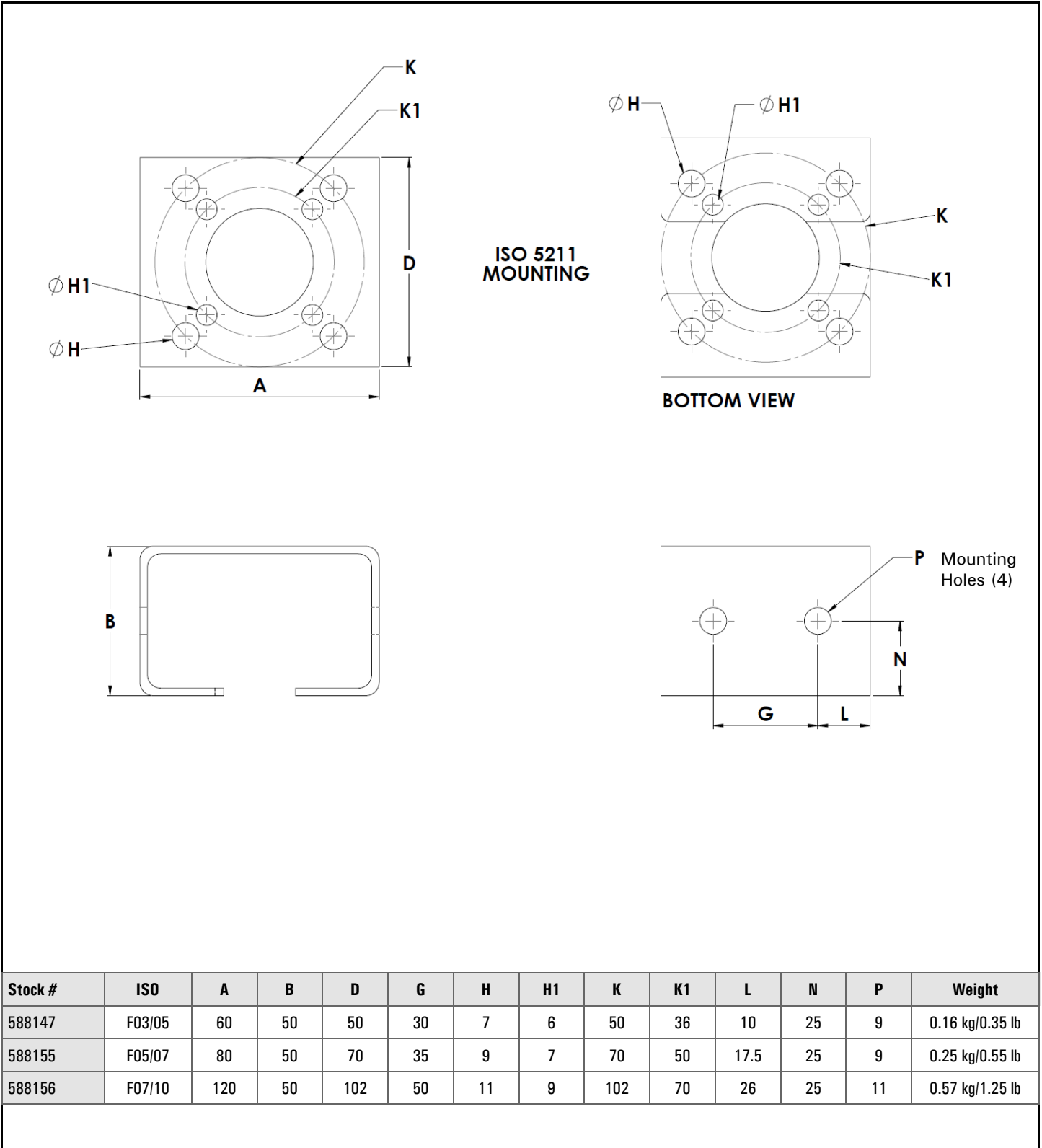
Note: High temperature coupler only (no bracket).

Dimensions (mm): High Temp/Wall Mounting Kit



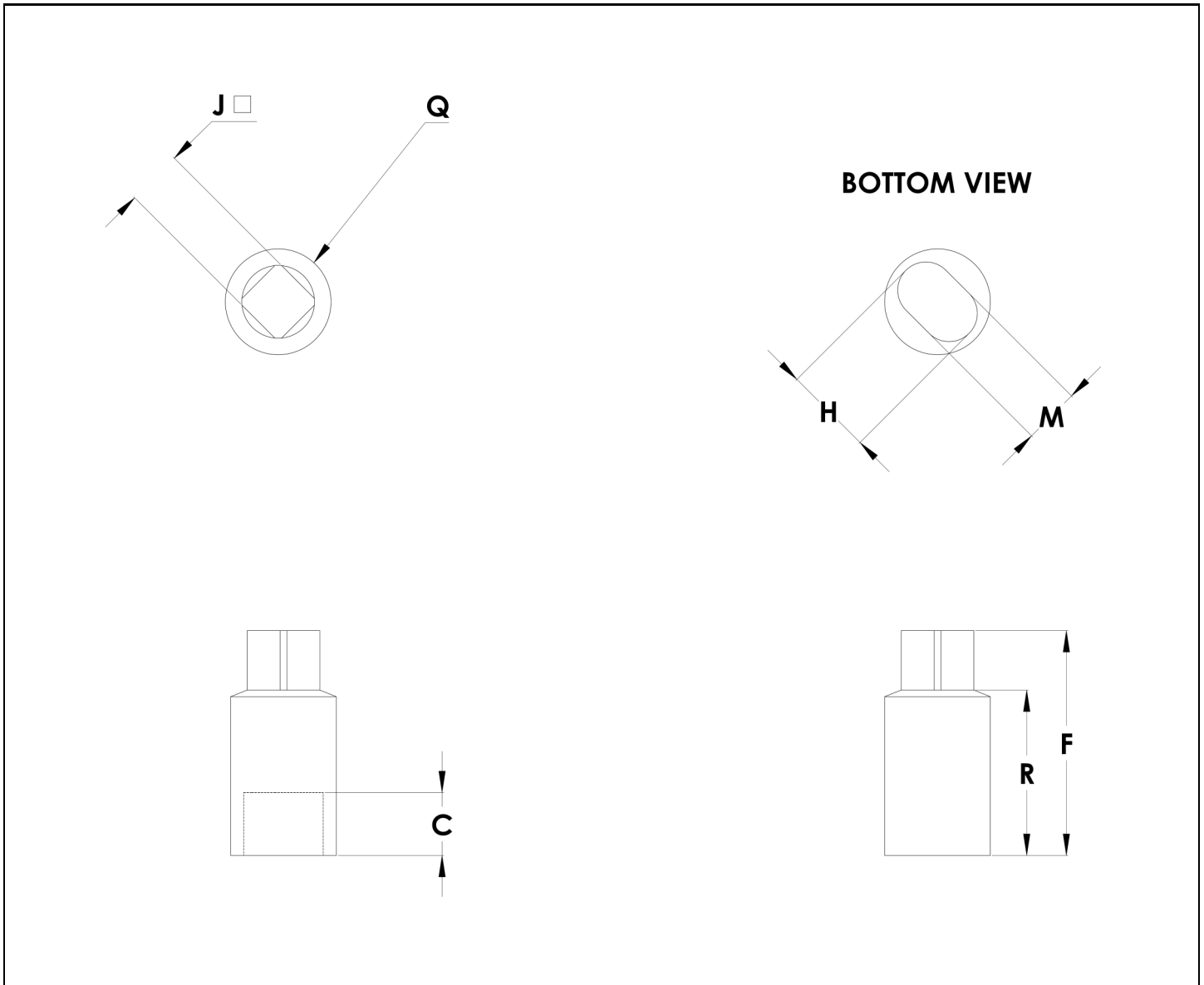
Stock #	ISO	A	B	C	D	F	G	H	H1	J	K	K1	L	M	N	P	Weight
588128	F03/05	60	50	11	50	10	30	7	6	9	50	36	10	9	25	9	0.3 kg/0.6 lb
588129	F03/05	60	50	11	50	12	30	7	6	11	50	36	10	9	25	9	0.3 kg/0.6 lb
588130	F03/05	60	50	14	50	12	30	7	6	11	50	36	10	11	25	9	0.3 kg/0.6 lb
588131	F03/05	60	50	11	50	16	30	7	6	14	50	36	10	9	25	9	0.34 kg/0.7 lb
588132	F03/05	60	50	11	50	15	30	7	6	14	50	36	10	11	25	9	0.34 kg/0.7 lb
588133	F03/05	60	50	16	50	15	30	7	6	14	50	36	10	14	25	9	0.34 kg/0.7 lb
588135	F05/07	80	50	14	70	12	35	9	7	11	70	50	17.5	11	25	9	0.36 kg/0.8 lb
588136	F05/07	80	50	14	70	15	35	9	7	14	70	50	17.5	11	25	9	0.36 kg/0.8 lb
588137	F05/07	80	50	16	70	15	35	9	7	14	70	50	17.5	14	25	9	0.36 kg/0.8 lb
588138	F05/07	80	50	19	70	18	35	9	7	17	70	50	17.5	17	25	9	0.54 kg/1.2 lb
588139	F07/10	120	50	16	102	15	50	11	9	14	102	70	26	14	25	11	0.77 kg/1.7 lb
588141	F07/10	120	50	19	102	18	50	11	9	17	102	70	26	17	25	11	0.86 kg/1.9 lb

Dimensions (mm): High Temp/Wall Mounting Bracket (no coupler)



Stock #	ISO	A	B	D	G	H	H1	K	K1	L	N	P	Weight
588147	F03/05	60	50	50	30	7	6	50	36	10	25	9	0.16 kg/0.35 lb
588155	F05/07	80	50	70	35	9	7	70	50	17.5	25	9	0.25 kg/0.55 lb
588156	F07/10	120	50	102	50	11	9	102	70	26	25	11	0.57 kg/1.25 lb

Dimensions (mm): High Temperature Mounting Coupler (no bracket)



Stock #	Size	C	F	H	J	M	Q	R	Weight
588165	9x9x50	10	60	18	9	9	19	50	0.11 kg/0.25 lb
588167	11x9x50	10	62	18	11	9	19	50	0.11 kg/0.25 lb
588168	11x11x50	12	62	18	11	11	19	50	0.11 kg/0.25 lb
588169	14x9x50	10	65	18	14	9	25	50	0.18 kg/0.4 lb
588170	14x11x50	12	65	20	14	11	25	50	0.18 kg/0.4 lb
588171	14x14x50	15	65	23	14	14	25	50	0.18 kg/0.4 lb
588174	17x17x50	18	68	27	17	17	32	50	0.27 kg/0.6 lb