

### Features

- Functions as a manual override for pneumatic actuated valves
- Temperature Range (-4° to 185°F)(-20° to 85°C)
- IP65 weatherproof enclosure
- ISO 5211 standard mounting flange
- Hand wheel control
- Gray iron housing with electrostatic powder-coated polyurethane
- NBR Seals
- Cast iron worm gear



### Application

Valworx 5752 series declutchable actuators enable manual operation of pneumatically actuated valves. Different shaft coupler lengths are pre-engineered to fit all Valworx pneumatically-actuated assemblies for valves with a 14mm stem or larger.

When ordered as part of a Valworx assembly, standard orientation is the handwheel opposite the actuator pilot air ports.

### Operation

Actuator should be de-energized prior to manual operation. With the gear operator OFF, the handwheel is disconnected from the actuator drive, and will freewheel without affecting valve operation. Pulling the détente pin and turning the handle ON engages the gear box to the actuator drive via a worm gear, enabling manual operation. When manual operation is complete, pull the détente pin and return the handle to the OFF position. The assembly may now be used for automatic operation.

Refer to the Installation and Operation manual for detailed instructions.

### Description

Declutchable gear operators are sandwich-mounted between the valve and actuator. A coupling shaft connects the output drive of the gear operator to the output drive of the actuator. Engaging the gear drive turns both the valve and actuator, keeping them in phase.

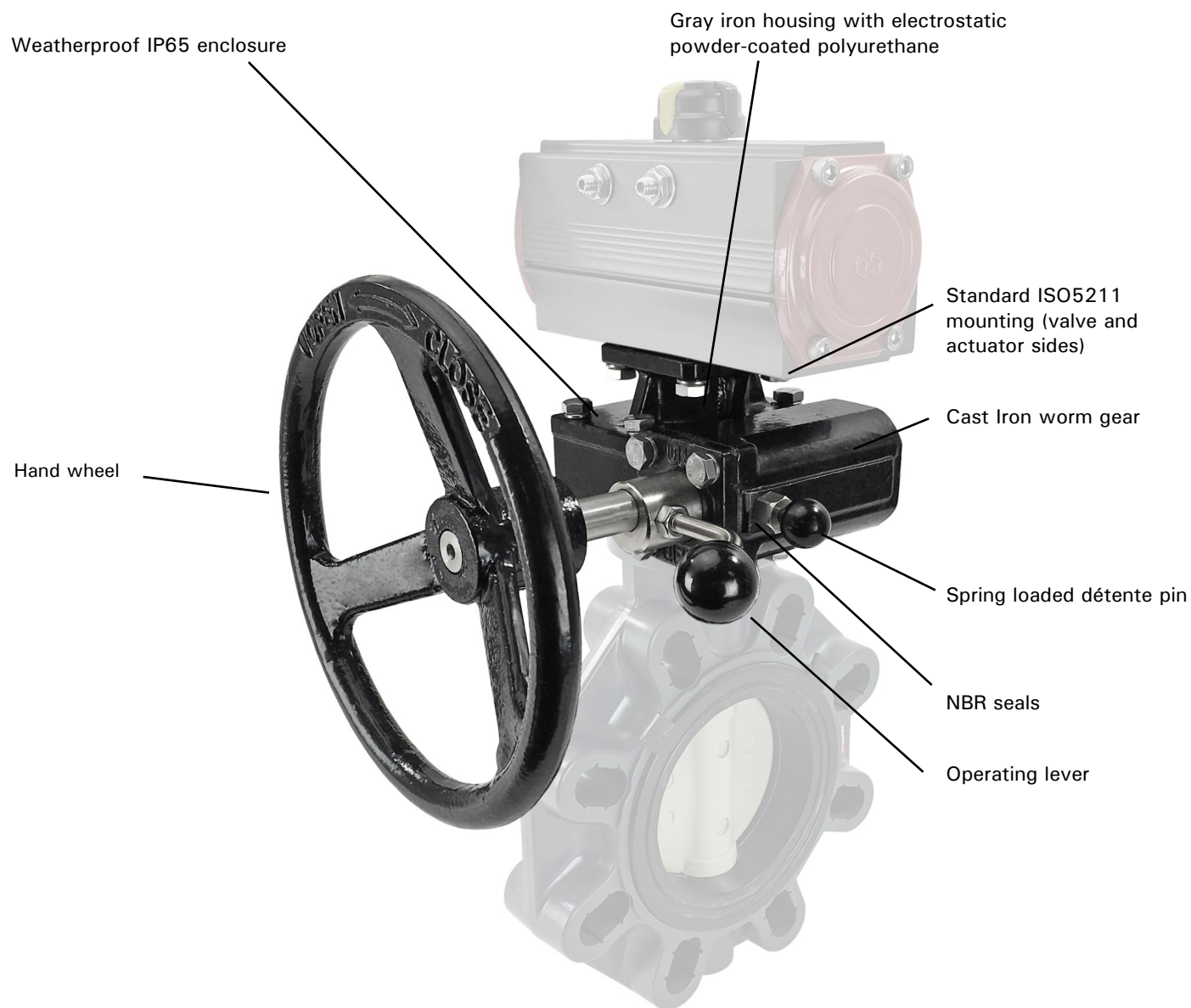
### CAUTION:

When using with spring return actuators, never release the gear operator when springs are compressed. Doing so could cause serious injury or damage.

### NOTE:

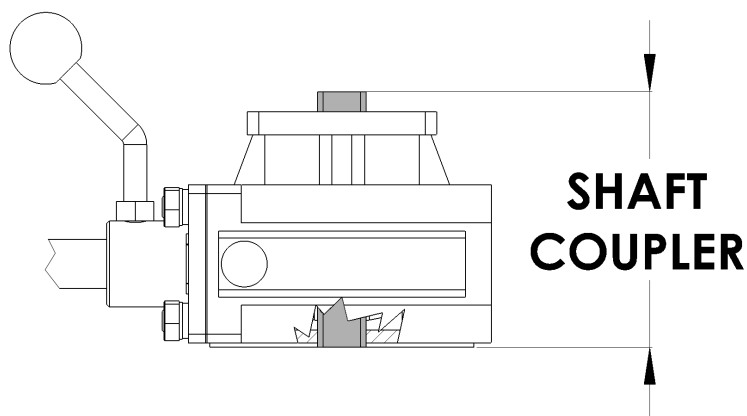
For installations using a pilot solenoid valve, Valworx recommends installing Block and Vent valve, P/N 529602 for additional safety.

## Construction Features



## Specifications - Declutchable Gear Operator

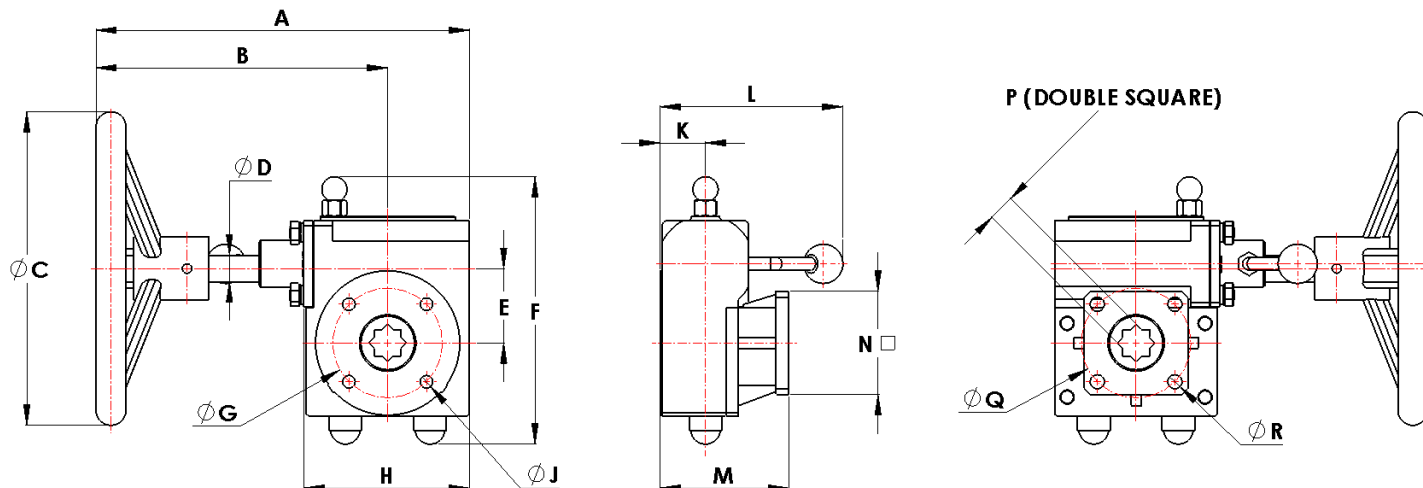
Stock Number	Stem Size (mm)	Shaft Coupler length (mm)	Input Torque (nm/in. lbs)	Output Torque (nm/in. lbs)	Ratio	Description
575214	14	70	60/531	300/2655	26:1	Declutchable Manual Override Gear Operator, 14mm x 70mm
575224	14	79	60/531	300/2655	26:1	Declutchable Manual Override Gear Operator, 14mm x 79mm
575234	14	84	60/531	300/2655	26:1	Declutchable Manual Override Gear Operator, 14mm x 84mm
575244	14	88	60/531	300/2655	26:1	Declutchable Manual Override Gear Operator, 14mm x 88mm
575217	17	69	60/531	300/2655	26:1	Declutchable Manual Override Gear Operator, 17mm x 69mm
575227	17	82	60/531	300/2655	26:1	Declutchable Manual Override Gear Operator, 17mm x 82mm
575237	17	89	60/531	300/2655	26:1	Declutchable Manual Override Gear Operator, 17mm x 89mm
575222	22	69	75/663	620/5487	38:1	Declutchable Manual Override Gear Operator, 22mm x 69mm
575232	22	79	75/663	620/5487	38:1	Declutchable Manual Override Gear Operator, 22mm x 79mm
575297	27	85	75/663	620/5487	38:1	Declutchable Manual Override Gear Operator, 27mm x 85mm



Stock Number		Stem Size	Shaft Coupler length
575214	inch	0.6	2.8
	mm	14.0	70.0
575224	inch	0.6	3.1
	mm	14.0	79.0
575234	inch	0.6	3.3
	mm	14.0	84.0
575244	inch	0.6	3.5
	mm	14.0	88.0
575217	inch	0.7	2.7
	mm	17.0	69.0
575227	inch	0.7	3.2
	mm	17.0	82.0
575237	inch	0.7	3.5
	mm	17.0	89.0
575222	inch	0.9	2.7
	mm	22.0	69.0
575232	inch	0.9	3.1
	mm	22.0	79.0
575297	inch	1.1	3.3
	mm	27.0	85.0

**BOTTOM  
VALVE MOUNTING PAD**

**TOP  
ACTUATOR MOUNTING PAD**



(B)- Bottom  
(T)- Top

Stock No.		A	B	C	D	E	F	G	H	J	K	L	M	N	P	Q	R	ISO (B)	ISO (T)	Weight
575214	inch	9.4	7.3	7.9	0.7	2.0	7.1	2.8	4.1	-	1.2	5.9	3.2	2.6 □	0.6	2.8	0.4	F07	F07	14.8 lb
	mm	240.0	186.6	200.0	17.0	50.5	180.0	70.0	104.0	M8	30.0	150	82.0	66.0 □	14.0	70.0	9.0	F07	F07	6.7 kg
575224	inch	9.4	7.3	7.9	0.7	2.0	7.1	2.8	4.1	-	1.2	5.9	3.2	2.6 □	0.6	2.8	0.4	F07	F07	14.8 lb
	mm	240.0	186.6	200.0	17.0	50.5	180.0	70.0	104.0	M8	30.0	150	82.0	66.0 □	14.0	70.0	9.0	F07	F07	6.7 kg
575234	inch	9.4	7.3	7.9	0.7	2.0	7.1	2.8	4.1	-	1.2	5.9	3.2	2.6 □	0.6	2.8	0.4	F07	F07	14.8 lb
	mm	240.0	186.6	200.0	17.0	50.5	180.0	70.0	104.0	M8	30.0	150	82.0	66.0 □	14.0	70.0	9.0	F07	F07	6.7 kg
575244	inch	9.4	7.3	7.9	0.7	2.0	7.1	2.8	4.1	-	1.2	5.9	3.2	2.6 □	0.6	2.8	0.4	F07	F07	14.8 lb
	mm	240.0	186.6	200.0	17.0	50.5	180.0	70.0	104.0	M8	30.0	150	82.0	66.0 □	14.0	70.0	9.0	F07	F07	6.7 kg
575217	inch	9.4	7.3	7.9	0.7	2.0	7.1	2.8	4.1	-	1.2	5.9	3.2	2.6 □	0.7	2.8	0.4	F07	F07	14.8 lb
	mm	240.0	186.6	200.0	17.0	50.5	180.0	70.0	104.0	M8	30.0	150	82.0	66.0 □	17.0	70.0	9.0	F07	F07	6.7 kg
575227	inch	9.4	7.3	7.9	0.7	2.0	7.1	2.8	4.1	-	1.2	4.6	3.2	2.6 □	0.7	2.8	0.4	F07	F07	14.8 lb
	mm	240.0	186.6	200.0	17.0	50.5	180.0	70.0	104.0	M8	30.0	116.0	82.0	66.0 □	17.0	70.0	9.0	F07	F07	6.7 kg
575237	inch	9.4	7.3	7.9	0.7	2.0	7.1	2.8	4.1	-	1.2	4.6	3.2	2.6 □	0.7	2.8	0.4	F07	F07	14.8 lb
	mm	240.0	186.6	200.0	17.0	50.5	180.0	70.0	104.0	M8	30.0	116.0	82.0	66.0 □	17.0	70.0	9.0	F07	F07	6.7 kg
575222	inch	11.4	8.9	11.8	0.7	2.6	7.5	2.8/4.7	4.9	-	1.2	4.6	3.2	3.9 □	0.9	2.8/4.7	0.4/ 0.5	F07/	F07/	28.7 lb
	mm	290.0	225.0	300.0	17.0	65.5	191.0	70.0/ 102.0	125.0	M8/ M10	30.0	116.0	82.0	100.0 □	22.0	70.0/ 102.0	9.0/ 12.0	F10	F10	13.0 kg
575232	inch	11.4	8.9	11.8	0.7	2.6	7.5	2.8/4.7	4.9	-	1.2	4.6	3.2	3.9 □	0.9	2.8/4.7	0.4/ 0.5	F07/	F07/	28.7 lb
	mm	290.0	225.0	300.0	17.0	65.5	191.0	70.0/ 102.0	125.0	M8/ M10	30.0	116.0	82.0	100.0 □	22.0	70.0/ 102.0	9.0/ 12.0	F10	F10	13.0 kg
575297	inch	11.4	8.9	11.8	0.7	2.6	7.5	4.7	4.9	-	1.2	4.6	3.2	4.3 □	1.1	4.9	0.6	F10	F12	28.7 lb
	mm	290.0	225.0	300.0	17.0	65.5	191.0	102.0	125.0	M10	30.0	116.0	82.0	110.0 □	27.0	125.0	14.0	F10	F12	13.0 kg