

### Features

- All materials comply with FDA, USDA, and 3-A requirements
- Highly polished internals and end caps with 32 Ra finish
- Forged ASTM 316L stainless steel valve body and end caps
- Tri-Clamp ends for hygienic connections
- Valve body machining and chamfering done by a single CNC process for precise fit
- 316L mirror finish disc/stem for minimal flow resistance
- Bi-directional flow
- Single piece forged & machined stem/disc
- 100% tested with full traceability of all components
- Spring Return or Double Acting Actuators
- Type IP66 & IP68 weatherproof actuator
- Rugged scotch yoke construction tested for 1 million+ cycles
- Anodized aluminum body with epoxy-polyester end covers
- Namur and ISO mounting standards
- Highly visible valve position indicator
- Actuator factory lubricated for normal lifetime

### Applications

Sanitary butterfly valves are typically used for food, beverage, pharmaceutical, personal care, and pet care applications where sanitary construction is required, as well as for utility, process, and corrosive environment applications where quick clamp connections are beneficial.

### Operation

Double acting scotch yoke actuators use air pressure to open and air pressure to close the ball valve (4-way pilot). Spring return scotch yoke actuators use air pressure to open and springs to close the ball valve (3-way pilot). Actuator will work with filtered dry or lubricated compressed air. Recommended air supply pilot pressure should be between 58 and 87 PSI. Easy to read visual valve position indicator located on top of actuator.

### Construction

<b>Valve Body</b>	ASTM 316 Stainless Steel
<b>Ball/Stem</b>	ASTM 316 stainless steel
<b>Ball Seats/ Cavity Filler</b>	Virgin PTFE
<b>Stem Seals</b>	PTFE/ Viton®
<b>Actuator Seals</b>	NBR
<b>Actuator Body/ End Covers</b>	Hard anodized aluminium/ Polyester coated aluminium
<b>Position Indicator</b>	Glass filled Polyamide
<b>Fasteners</b>	ASTM 304 Stainless Steel



### Description

Pneumatically operated direct mount sanitary butterfly valves are designed for commercial and industrial applications. Heavy duty quarter turn scotch yoke actuators designed for long life and tested for a minimum 1 million+ operations. 316L stainless steel valve body for excellent corrosion resistance. Single piece 316L disc/stem with disc polished to mirror finish to minimize flow turbulence. Sanitary tri-clamp ends for quick, sanitary connections and easy cleaning. Standard Namur mounting pads for optional accessory confirmation switches and pilot valves.

### Approvals– Actuators

- CE Declaration of conformity
- EN ISO 12100:2010
- EN ISO 4414:2010
- ISO5211/ DIN3337 valve mounting
- Namur VDI/VDE 3845 accessory mounting

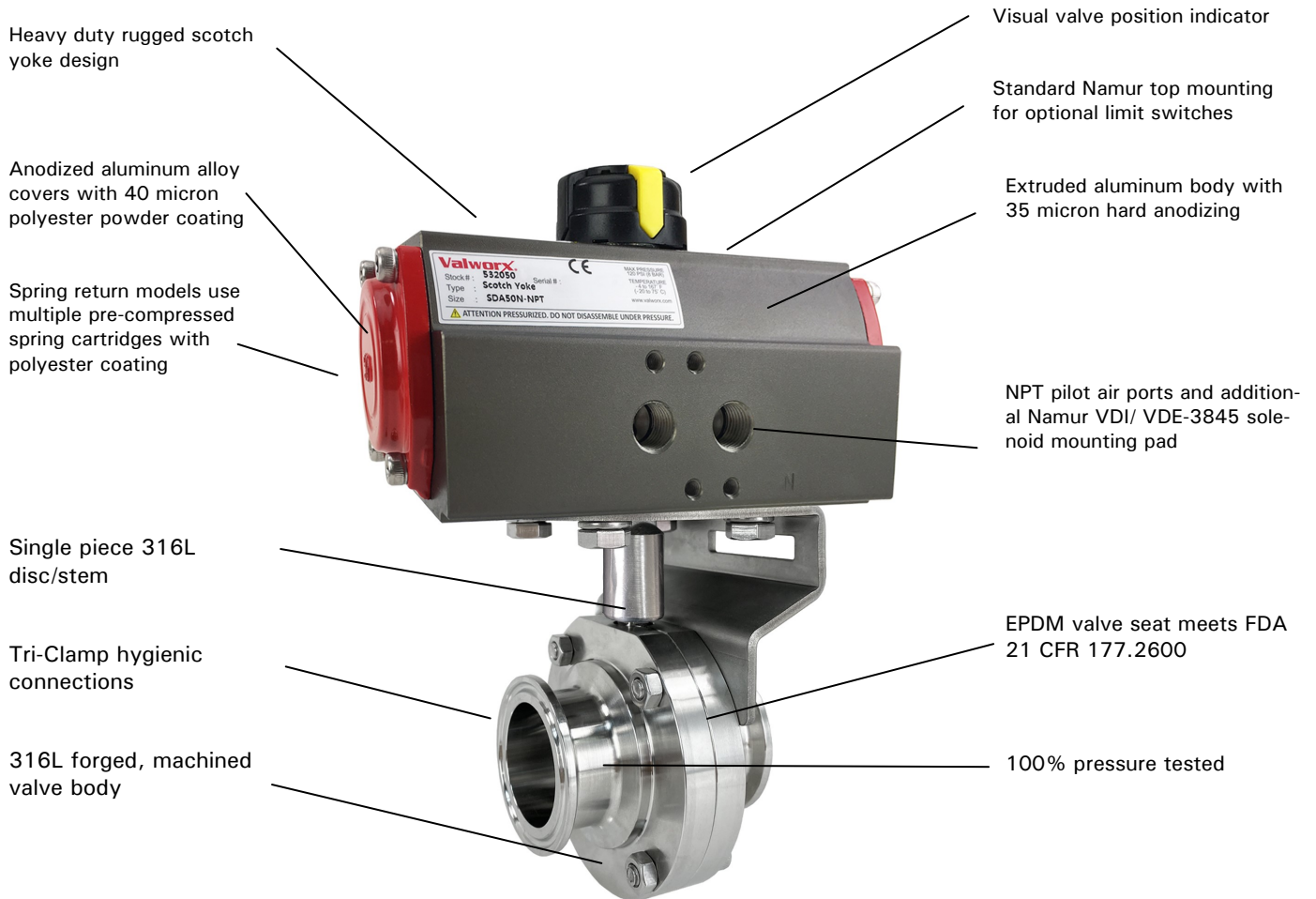
### Standards– Valves

- Construction:
  - FDA 21 CFR 177.2600
- Pressure Testing:
  - API598

### Optional Accessories

- DMS: Direct Mount Solenoid
  - pilot to electrically operate the ball valve
- VPS: Valve Position Switches
  - limit switches to confirm valve position

## Features



## Pressure Rating

**Pressure Rating\*:** 1000 PSI @ 120°F (69 Bar\*)

**Recommended Air Pilot Pressure:** 58-87 PSI (4-6 Bar)

**Max Air Pilot Pressure:** 120 PSI

**Valve Pressure Rating:** 1-2", 160 PSI @ 68 °F, 3-4" 140 PSI @ 68 °F

**Valve Temperature Rating:** EPDM seals: -68 to 302°F (-55 to 150°C)

**Actuator Temperature Rating:** -4 to 167 °F (-20 to 75 °C)

\*See P/T chart

## Specifications (English units)

Stock Number	Pipe Size (inch)	Orifice Diam. (inch)	Cv Flow Factor	Pressure Max. (PSI)*	Cycle Time /90° (seconds)	Pilot Air Port (NPT)
<b>Sanitary Butterfly Valve with Spring Return Actuator</b>						
574902	1	0.9	23.0	160	0.3-0.5	1/4
574903	1-1/2	1.4	80.0	160	0.4-0.6	1/4
574904	2	1.9	230.0	160	0.4-0.6	1/4
574906	3	2.9	372.0	140	0.6-0.9	1/4
574907	4	3.8	800.0	140	0.7-1.2	1/4
<b>Sanitary Butterfly Valve with Double Acting Actuator</b>						
574802	1	0.9	23.0	160	0.3	1/4
574803	1-1/2	1.4	80.0	160	0.3	1/4
574804	2	1.9	230.0	160	0.3	1/4
574806	3	2.9	372.0	140	0.4	1/4
574807	4	3.8	800.0	140	0.6	1/4

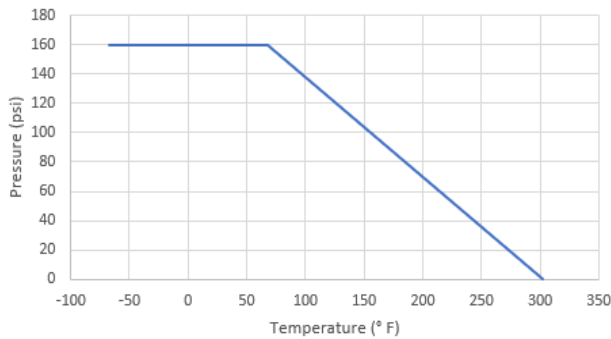
\* Pressure @ -67° to 302° F (reduced pressure at higher temperatures—see P/T chart)

## Pressure/Temperature Chart (PSI/°F)

Standard Units 1-2"

Temp °F	-67	68	302
Pressure	160	160	0

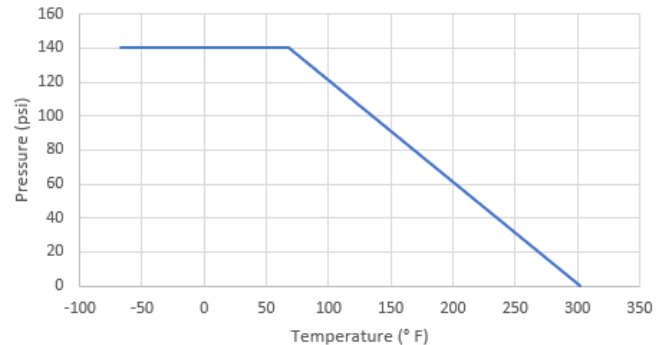
Pressure vs Temperature- Standard Units



Standard Units 3-4"

Temp °F	-67	68	302
Pressure	140	140	0

Pressure vs Temperature- Standard Units



## Specifications (Metric units)

Stock Number	Pipe Size (DN)	Orifice Diam. (mm)	Kv Flow Factor	Pressure Max. (Bar)*	Cycle Time/90° (seconds)	Pilot Air Port (NPT)
<b>Sanitary Butterfly Valve with Spring Return Actuator</b>						
574902	1	22.1	19.9	11.0	0.3-0.5	1/4
574903	1-1/2	34.8	69.2	11.0	0.4-0.6	1/4
574904	2	47.5	199.0	11.0	0.4-0.6	1/4
574906	3	72.9	321.8	9.7	0.6-0.9	1/4
574907	4	97.6	692.0	9.7	0.7-1.2	1/4
<b>Sanitary Butterfly Valve with Double Acting Actuator</b>						
574802	1	22.1	19.9	11.0	0.3	1/4
574803	1-1/2	34.8	69.2	11.0	0.3	1/4
574804	2	47.5	199.0	11.0	0.3	1/4
574806	3	72.9	321.8	9.7	0.4	1/4
574807	4	97.6	692.0	9.7	0.6	1/4

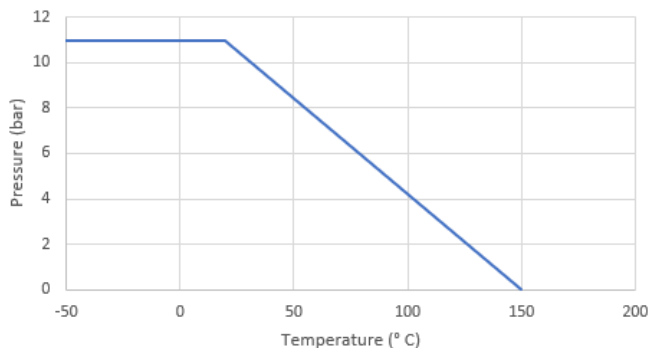
\* Pressure range @ -55° to 150° C (reduced pressure for higher temperatures—see P/T chart)

## Pressure/Temperature Chart (Bar/°C)

Metric Units 1-2"

Temp °C	-55	20	150
Pressure	11	11	0

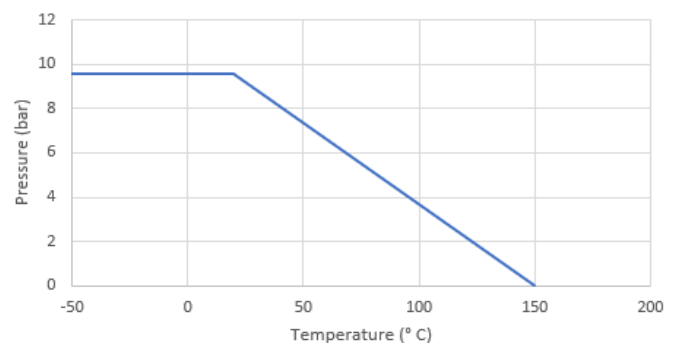
Pressure vs Temperature- Metric Units



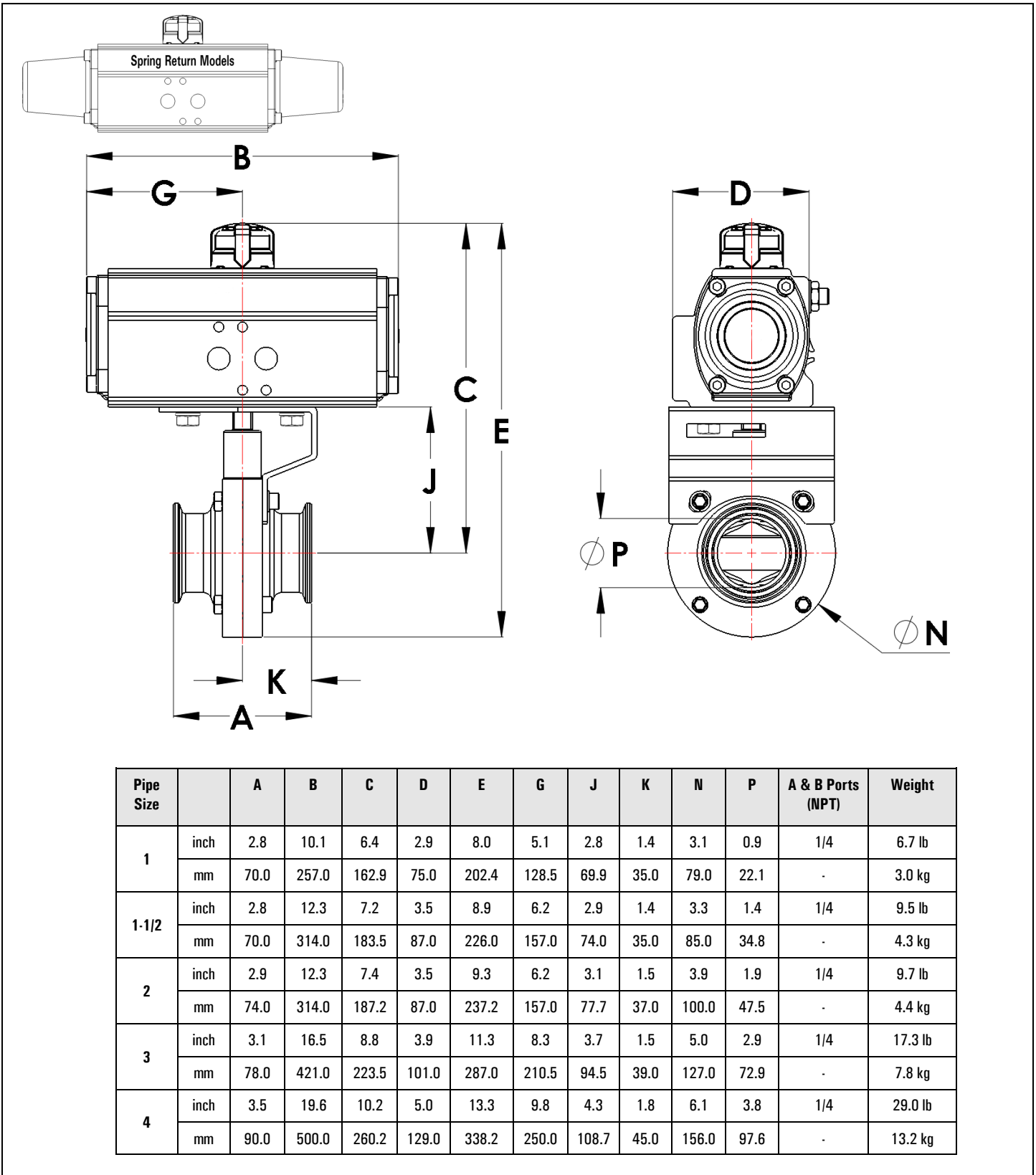
Metric Units 3-4"

Temp °C	-55	20	150
Pressure	9.6	9.6	0

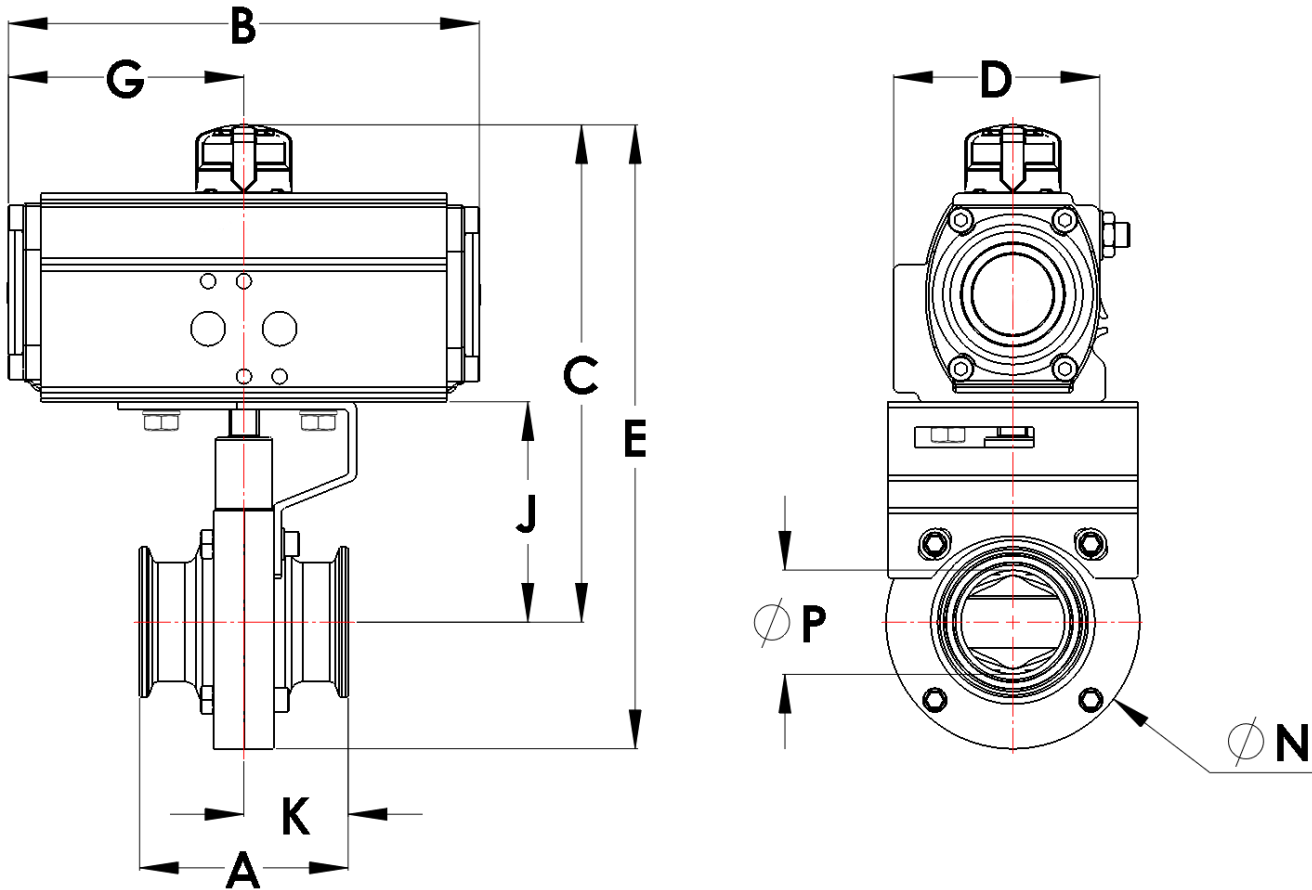
Pressure vs Temperature- Metric Units



## Dimensions: Spring Return



## Dimensions: Double Acting



Pipe Size		A	B	C	D	E	G	J	K	N	P	A & B Ports (NPT)	Weight
1	inch	2.8	6.3	6.4	2.9	8.0	3.2	2.8	1.4	3.1	0.9	1/4	6.3 lb
	mm	70.0	162.0	162.9	75.0	202.4	81.0	69.9	35.0	79.0	22.1	-	2.9 kg
1-1/2	inch	2.8	6.3	7.2	2.9	8.9	3.2	2.9	1.4	3.3	1.4	1/4	6.0 lb
	mm	70.0	162.0	183.5	75.0	226.0	81.0	74.0	35.0	85.0	34.8	-	2.7 kg
2	inch	2.9	6.3	7.4	2.9	9.3	3.2	3.1	1.5	3.9	1.9	1/4	6.2 lb
	mm	74.0	162.0	187.2	75.0	237.2	81.0	77.7	37.0	100.0	47.5	-	2.8 kg
3	inch	3.1	7.9	8.8	3.5	11.3	4.0	3.7	1.5	5.0	2.9	1/4	10.7 lb
	mm	78.0	202.0	223.5	89.0	287.0	101.0	94.5	39.0	127.0	72.9	-	4.9 kg
4	inch	3.5	9.9	10.2	3.9	13.3	5.0	4.3	1.8	6.1	3.8	1/4	16.7 lb
	mm	90.0	253.0	260.2	101.0	338.2	126.5	108.7	45.0	156.0	97.6	-	7.8 kg