

Features

- All valve materials comply with FDA, USDA, and 3-A requirements
- Tri-Clamp ends for hygienic connections
- Virgin PTFE ball seats with cavity fillers
- Triple PTFE/ Viton® high cycle live loaded stem seal packing
- Highly polished internals and end caps with 8-12 Ra finish
- Full Port direct mount ISO5211 valve
- Spring Return or Double Acting Actuators
- Type IP66 & IP68 weatherproof actuator
- Rugged scotch yoke construction tested for 1 million+ cycles
- Anodized aluminum body with epoxy-polyester end covers
- Namur and ISO mounting standards
- Highly visible valve position indicator
- Actuator factory lubricated for normal lifetime

Applications

Sanitary ball valves are typically used for food, beverage, pharmaceutical, personal care, and pet care applications where 3-A sanitary construction is required, as well as for utility, process, and corrosive environment applications where quick clamp connections are beneficial.

Operation

Double acting scotch yoke actuators use air pressure to open and air pressure to close the ball valve (4-way pilot). Spring return scotch yoke actuators use air pressure to open and springs to close the ball valve (3-way pilot). Actuator will work with filtered dry or lubricated compressed air. Recommended air supply pilot pressure should be between 58 and 87 PSI. Easy to read visual valve position indicator located on top of actuator.

Note:3A standard 68-00 requires a minimum 1" clearance between valve and actuator. Valworx High Temp kits can be used to satisfy this

Construction

Valve Body	ASTM 316 Stainless Steel
Ball/Stem	ASTM 316stainless steel
Ball Seats/ Cavity Filler	Virgin PTFE
Stem Seals	PTFE/ Viton®
Actuator Seals	NBR
Actuator Body/ End Covers	Hard anodized aluminium/ Polyester coated aluminium
Position Indicator	Glass filled Polyamide
Fasteners	ASTM 304 Stainless Steel



Description

Heavy duty quarter turn scotch yoke actuators designed for long life and tested for a minimum 1 million+ operations. Investment cast 3-piece full port stainless steel body and end caps for unrestricted flow and minimum pressure loss. Valve seals are cavity filled virgin PTFE. Self adjusting live loaded stem seal packing helps compensate for wear, pressure or temperature fluctuations, extending the cycle life of the valve. Blow-out proof stem. Cavity fillers avoid media entrapment and quick clamp end connections allow for easy cleaning. Standard Namur mounting pads for optional accessory confirmation switches and pilot valves.

Approvals– Actuators

- CE Declaration of conformity
- EN ISO 12100:2010
- EN ISO 4414:2010
- ISO5211/ DIN3337 valve mounting
- Namur VDI/VDE 3845 accessory mounting

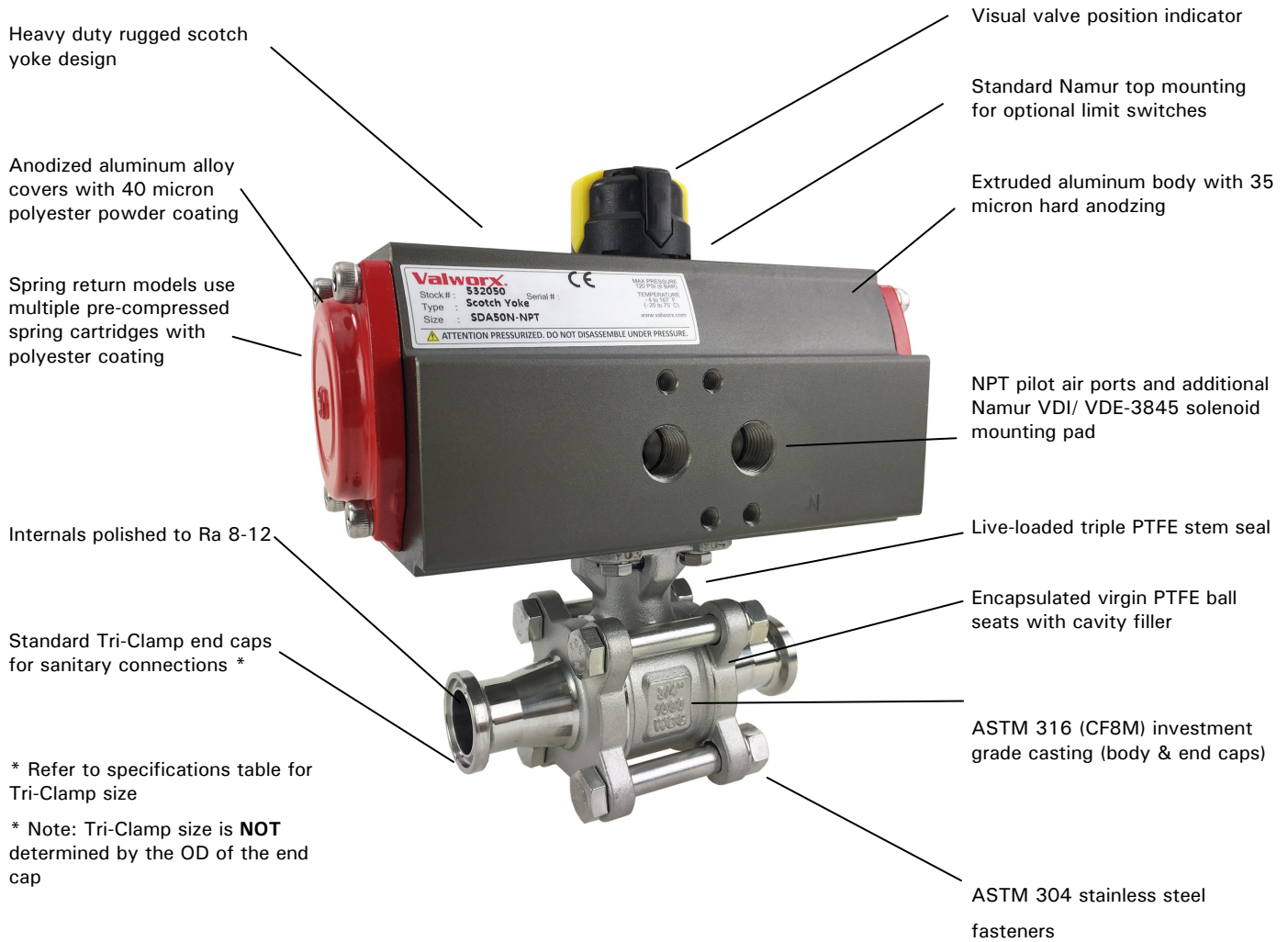
Standards– Valves

- Construction:
 - 3A 68-00
 - ANSI B16/B2/B18
 - NSF 61
 - FDA 21 CFR 177.1550
- Pressure Testing:
 - MSS-SP82

Optional Accessories

- DMS: Direct Mount Solenoid
 - pilot to electrically operate the ball valve
- VPS: Valve Position Switches
 - limit switches to confirm valve position
- HTB: High Temperature Bracket
 - increases media working temperature

Features



Pressure Rating*: 1000 PSI @ 120°F(69 Bar*)

Max Pressure Room Temp– 1000 PSI (72°F desired room temp)

Temperature Rating: -50° to 400° F (-45 to 200°C)

*See P/T Chart

Recommended Air Pilot Pressure: 58-87 PSI (4-6 Bar)

Max Air Pilot Pressure: 120 PSI

Working Temperature: 0 to 180° F (-18 to 82° C)

Media temperatures up to 300° F (149° C)
with optional high temp. mounting bracket

Actuator Temperature Rating: -4 to 167° F (-20 to 75° C)

*See P/T chart

Specifications (English units)

Stock Number	Pipe Size (inch)	Tri-Clamp Size (inch)	Cv Flow Factor	Pressure Max.(PSI)*	Cycle Time /90° (seconds)	Pilot Air Port (NPT)
Valve with Spring Return Actuator						
571300	1/2	3/4	8	1000	0.3-0.5	1/4
571301	3/4	3/4	29	1000	0.3-0.5	1/4
571302	1	1-1/2	66	1000	0.4-0.6	1/4
571303	1-1/2	1-1/2	192	1000	0.4-0.6	1/4
571304	2	2	434	1000	0.6-0.9	1/4
571305	2-1/2	2-1/2	723	1000	0.7-1.2	1/4
571306	3	3	1124	1000	1.0-2.3	1/4
571307	4	4	2100	1000	1.0-2.3	1/4
Valve with Double Acting Actuator						
571200	1/2	3/4	8	1000	0.3	1/4
571201	3/4	3/4	29	1000	0.3	1/4
571202	1	1-1/2	66	1000	0.3	1/4
571203	1-1/2	1-1/2	192	1000	0.4	1/4
571204	2	2	434	1000	0.4	1/4
571205	2-1/2	2-1/2	723	1000	0.6	1/4
571206	3	3	1124	1000	0.6	1/4
571207	4	4	2100	1000	0.8	1/4

Cv= The GPM of water at 60° F that will pass through the valve with 1 PSI pressure drop

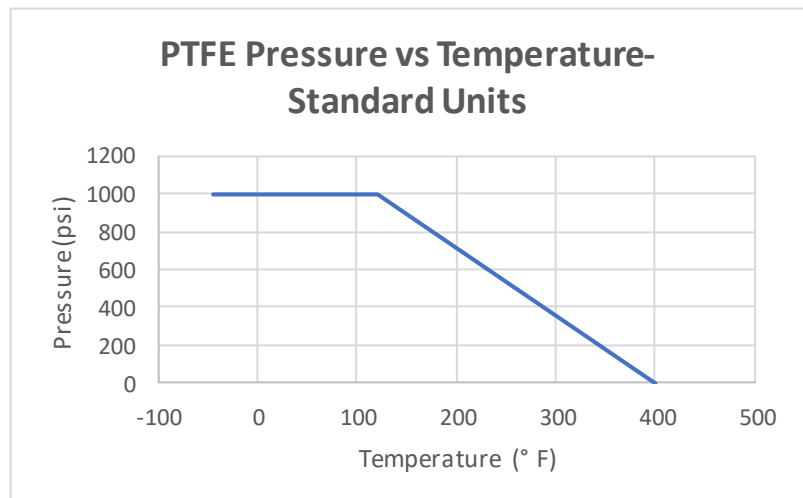
* Pressure @ -50° to 400° F (reduced pressure at higher temperatures—see P/T chart)

• Torque at 1000 PSI and 72°F

Pressure/Temperature Chart (PSI/°F)

Standard Units

Temp °F	-45	120	400
Pressure	1000	1000	0



Specifications (Metric units)

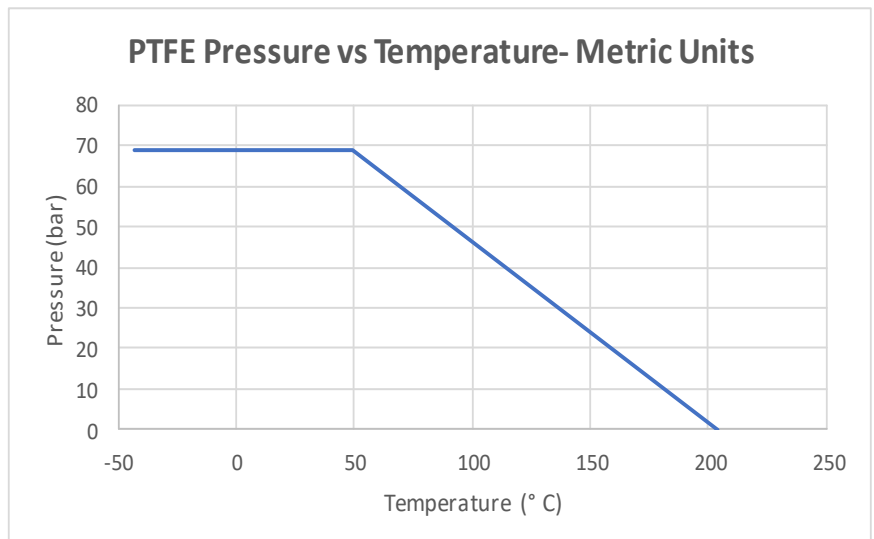
Stock Number	Pipe Size (mm)	Tri-Clamp Size (inch)	Kv Flow Factor	Pressure Max.(Bar)*	Cycle Time/90° (seconds)	Pilot Air Port (NPT)
VALVE WITH SPRING RETURN ACTUATOR						
571300	12.7	3/4	7	69	0.3-0.5	1/4
571301	19.1	3/4	25	69	0.3-0.5	1/4
571302	25.4	1-1/2	57	69	0.4-0.6	1/4
571303	38.1	1-1/2	107	69	0.4-0.6	1/4
571304	50.8	2	165	69	0.6-0.9	1/4
571305	63.5	2-1/2	374	69	0.7-1.2	1/4
571306	76.2	3	623	69	1.0-2.3	1/4
571307	101.6	4	1810	69	1.0-2.3	1/4
VALVE WITH DOUBLE ACTING ACTUATOR						
571200	12.7	3/4	7	69	0.3	1/4
571201	19.1	3/4	25	69	0.3	1/4
571202	25.4	1-1/2	57	69	0.3	1/4
571203	38.1	1-1/2	107	69	0.4	1/4
571204	50.8	2	165	69	0.4	1/4
571205	63.5	2-1/2	374	69	0.6	1/4
571206	76.2	3	623	69	0.6	1/4
571207	101.6	4	1810	69	0.8	1/4

* Pressure range @ -45° to 200° C (reduced pressure for higher temperatures – see P/T chart)

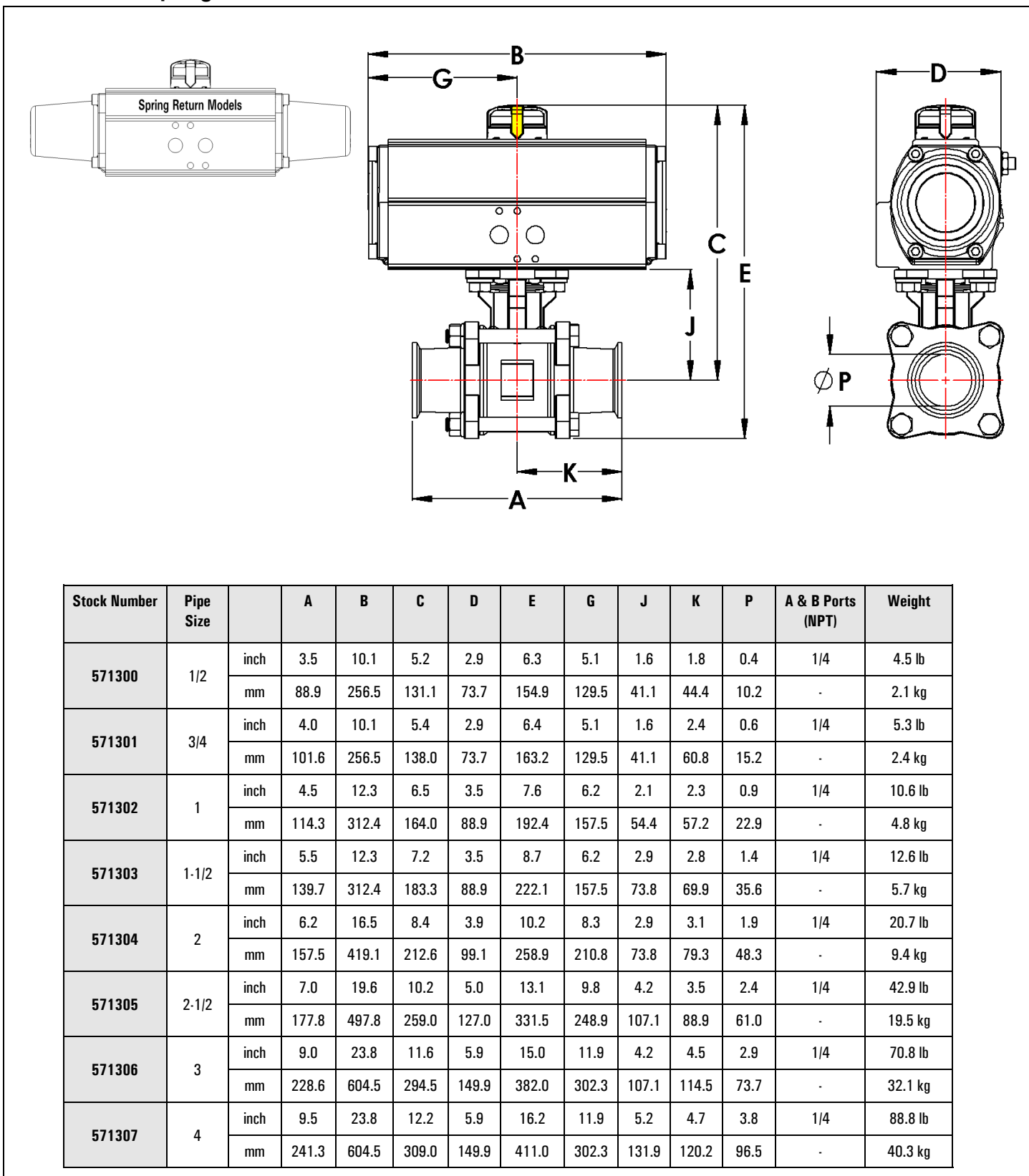
Pressure/Temperature Chart (Bar/°C)

Metric Units

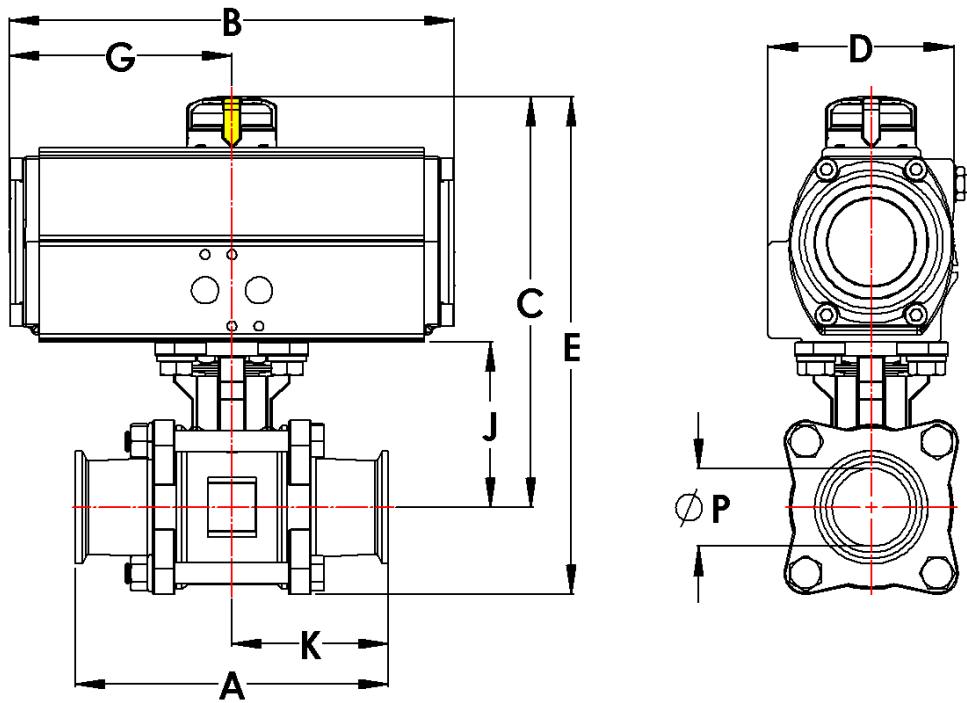
Temp °C	-43	49	204
Pressure	69	69	0



Dimensions: Spring Return



Dimensions: Double Acting



Stock Number	Pipe Size		A	B	C	D	E	G	J	K	P	A & B Ports (NPT)	Weight
571200	1/2	inch	3.5	6.3	5.2	2.9	6.3	3.2	1.6	1.8	0.4	1/4	4.1 lb
		mm	88.9	160.0	131.1	73.7	154.9	81.3	41.1	44.4	10.2	-	1.9 kg
571201	3/4	inch	4.0	6.3	5.4	2.9	6.4	3.2	1.6	2.4	0.6	1/4	4.9 lb
		mm	101.6	160.0	138.0	73.7	163.2	81.3	41.1	60.8	15.2	-	2.2 kg
571202	1	inch	4.5	6.3	5.8	2.9	6.9	3.2	2.1	2.3	0.9	1/4	7.1 lb
		mm	114.3	160.0	147.0	73.7	176.0	81.3	54.4	57.2	22.9	-	3.2 kg
571203	1-1/2	inch	5.5	7.9	7.2	3.5	8.7	4.0	2.9	2.8	1.4	1/4	11.1 lb
		mm	139.7	200.1	183.3	88.9	222.1	101.6	73.8	69.9	35.6	-	5.0 kg
571204	2	inch	6.2	7.9	7.6	3.5	9.4	4.0	2.9	3.1	1.9	1/4	13.1 lb
		mm	157.5	200.1	193.1	88.9	239.4	101.6	73.8	79.3	48.3	-	6.4 kg
571205	2-1/2	inch	7.0	9.9	9.3	3.9	12.2	5.0	4.2	3.5	2.4	1/4	30.6 lb
		mm	177.8	251.5	236.1	99.1	309.1	127.0	107.1	88.9	61.0	-	13.9 kg
571206	3	inch	9.0	9.9	9.7	3.9	13.1	5.0	4.2	4.5	2.9	1/4	40.6 lb
		mm	228.6	251.5	246.5	99.1	334.0	127.0	107.1	114.5	73.7	-	18.4 kg
571207	4	inch	9.5	12.2	11.2	5.0	15.2	6.1	5.2	4.7	3.8	1/4	64.8 lb
		mm	241.3	309.9	283.4	127.0	385.1	154.9	131.9	120.2	96.5	-	29.4 kg