

## Features

- Double offset design reduces seal wear
- High quality, 316SS (CF8M) construction
- Reinforced Teflon (RPTFE) seats for expanded temperature range
- Heavy-duty, single piece cast & machined disc with integral mounting sleeve
- Spring loaded seat cover for easier removal and replacement of the valve seat
- Direct mount wafer butterfly valve with ISO5211 mount
- Visual valve position indicator
- Rugged aluminum Type 4X weatherproof enclosure
- Heavy duty motors with overload protection
- Thermostatically controlled anti-condensation heater
- Manual override with end of travel mechanical stops
- Two auxiliary position confirmation limit switches
- EPS - Electronic Positioning System models available
- Actuators CSA Listed per UL429 and CSA C22.2

## Applications

High performance wafer butterfly valves are used to control the flow of waters, oils, air, certain caustics, and other media compatible with the materials of construction for general service and where an expanded temperature range or higher pressure is required. Actuators designed for 70% duty cycle.

## Operation

On-Off electric actuated valve uses power-to-open and power-to-close, stays in the last known position with loss of power. On receipt of a continuous voltage signal, the motor runs and via a rugged all metal gear system rotates the ball 90°. The motor is automatically stopped by internal cams striking limit switches. On receipt of a reversing continuous signal, the motor turns in the opposite direction reversing the valve position. Power connections direct to terminal strip via included cable connector, or optional 1/2" NPT conduit adapters.

## Construction

<b>Valve Body</b>	316 stainless steel CF8M
<b>Disc</b>	316 stainless steel CF8M
<b>Disc Seat/ Liner</b>	RPTFE
<b>Stem/ Stem Seals</b>	17-4PH/316SS/ V-ring (same material as seat)
<b>Gear Drive</b>	Heavy duty alloy steel/aluminum bronze, self locking
<b>Actuator Enclosure</b>	Aluminum, polyester powder painted, Type 4X, IP67
<b>Visual Valve Position Indicator</b>	Clear Polycarbonate cover, red/yellow open-closed
<b>Fasteners</b>	Stainless Steel
<b>Auxiliary Limit Switches</b>	2 x SPDT (5A/125VAC), on-off actuators only



## Description

Electric operated direct mount high performance butterfly valves with 316 stainless steel wafer body are designed for commercial and industrial applications. Valve mounts between two standard ANSI/ASME Class 125/150 flanges. Disc is precision machined 316SS. Double offset design to reduce seal wear. Rugged corrosion resistant electric actuator includes a manual override, valve position confirmation switches (on-off units), thermostatically controlled anti-condensation heater, and over-torque protection.

## Approvals

### Actuators

- CSA Listed to:
  - UL429 and CSA C22.2 no 139
  - Type 4X, IP67 weatherproof enclosure
- CE conformance
  - ISO5211 Mounting



### Valves- Standards

- **P4** + CE PED 20K/65/EU

## Construction Features



Visual Valve  
Position Indicator

## Pressure Rating

Pressure Rating: 285 PSI (19.7 Bar)

## Temperature Rating

Actuator Temperature Rating: -22 to +140° F (-30 to 60° C)

Valve Temperature Rating: RPTFE seals: -20 to 500° F (-29 to 260°C)

**High temperature valve mounting kit available for extended temperature range or wall mounting applications**

## Specifications (English units)

Stock Number	Pipe Size (inch)	Orifice Diam. (inch)	Cv Flow Factor	Pressure Max. (PSI)	Cycle Time/90° (seconds)	Voltage	Current (amps)	Duty Cycle	Electrical Dwg.
<b>120 VAC ELECTRIC ACTUATED HIGH PERFORMANCE WAFER BODY BUTTERFLY VALVE, RPTFE SEALS</b>									
569103	3	2.9	165	285	30/25	110 VAC, 50/60Hz	0.6	70%	B
569104	4	3.8	400	285	30/25	110 VAC, 50/60Hz	0.6	70%	B
569106	6	5.6	1050	285	30/25	110 VAC, 50/60Hz	0.7	70%	B
569108	8	7.4	2200	285	45/37	110 VAC, 50/60Hz	1.3	70%	B
<b>24 VDC ELECTRIC ACTUATED HIGH PERFORMANCE WAFER BODY BUTTERFLY VALVE, RPTFE SEALS</b>									
569303	3	2.9	165	285	30	DC24	2.0	70%	G
569304	4	3.8	400	285	30	DC24	3.6	70%	G
569306	6	5.6	1050	285	30	DC24	3.6	70%	G

Cv = The GPM of water at 60° F that will pass through the valve with 1 PSI pressure drop

\* Consult compatibility chart for other fluid media. Suitable for vacuum up to 29 inHg

\* See P/T Chart

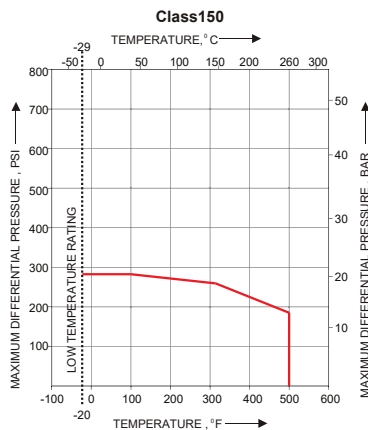
## Specifications (Metric units)

Stock Number	Pipe Size (DN)	Orifice Diam. (mm)	Kv Flow Factor	Pressure Max. (Bar)	Cycle Time/90° (seconds)	Voltage	Current (amps)	Duty Cycle	Electrical Dwg.
<b>120 VAC ELECTRIC ACTUATED HIGH PERFORMANCE WAFER BODY BUTTERFLY VALVE, RPTFE SEALS</b>									
569103	80	73.7	143	19.7	30/25	110 VAC, 50/60Hz	0.6	70%	B
569104	100	96.5	346	19.7	30/25	110 VAC, 50/60Hz	0.6	70%	B
569106	150	142.2	908	19.7	30/25	110 VAC, 50/60Hz	0.7	70%	B
569108	200	188.0	1903	19.7	45/37	110 VAC, 50/60Hz	1.3	70%	B
<b>24 VDC ELECTRIC ACTUATED HIGH PERFORMANCE WAFER BODY BUTTERFLY VALVE, RPTFE SEALS</b>									
569303	80	73.7	143	19.7	30	DC24	2.0	70%	G
569304	100	96.5	346	19.7	30	DC24	3.6	70%	G
569306	150	142.2	908	19.7	30	DC24	3.6	70%	G

Kv = The number of m³ per hour of 20° C water at 1 bar pressure drop

\* Consult compatibility chart for other fluid media. Suitable for vacuum up to 29 inHg

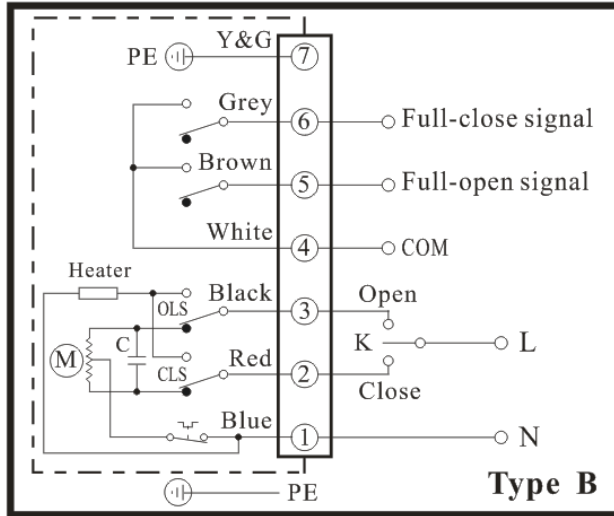
\* See P/T Chart



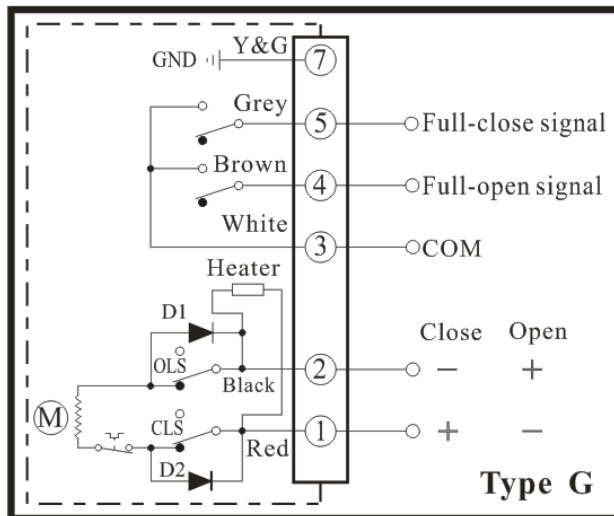
Rated value for 150 Lb body			
Temperature °F	Temperature °C	CF8M (PSI)	CF8M (bar)
-20.2 to 100.4	-29 to 38	275.6	19.0
199.4	93	235.0	16.2
300.2	149	214.7	14.8
399.2	204	194.4	13.4
500	260	169.7	11.7

## Electrical Wiring

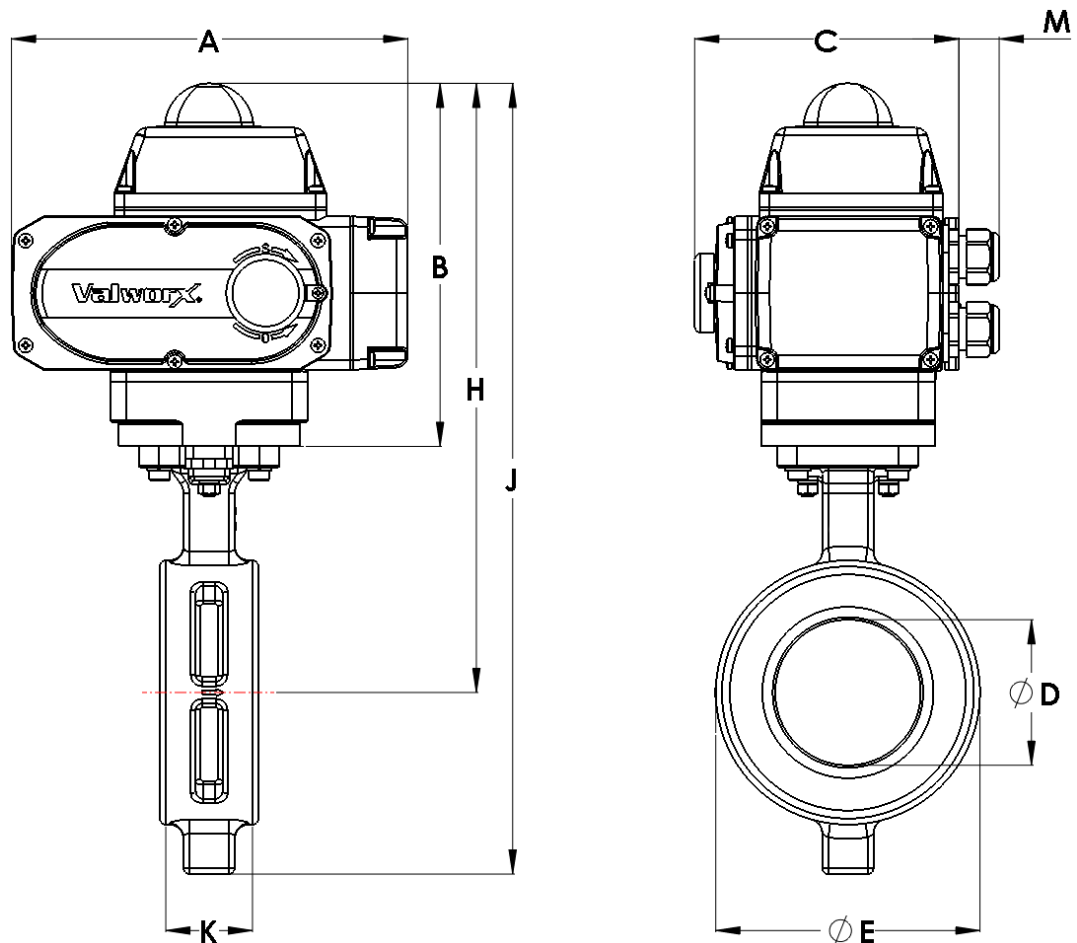
### AC Voltages



### DC Voltages



## Dimensions: (110AC)

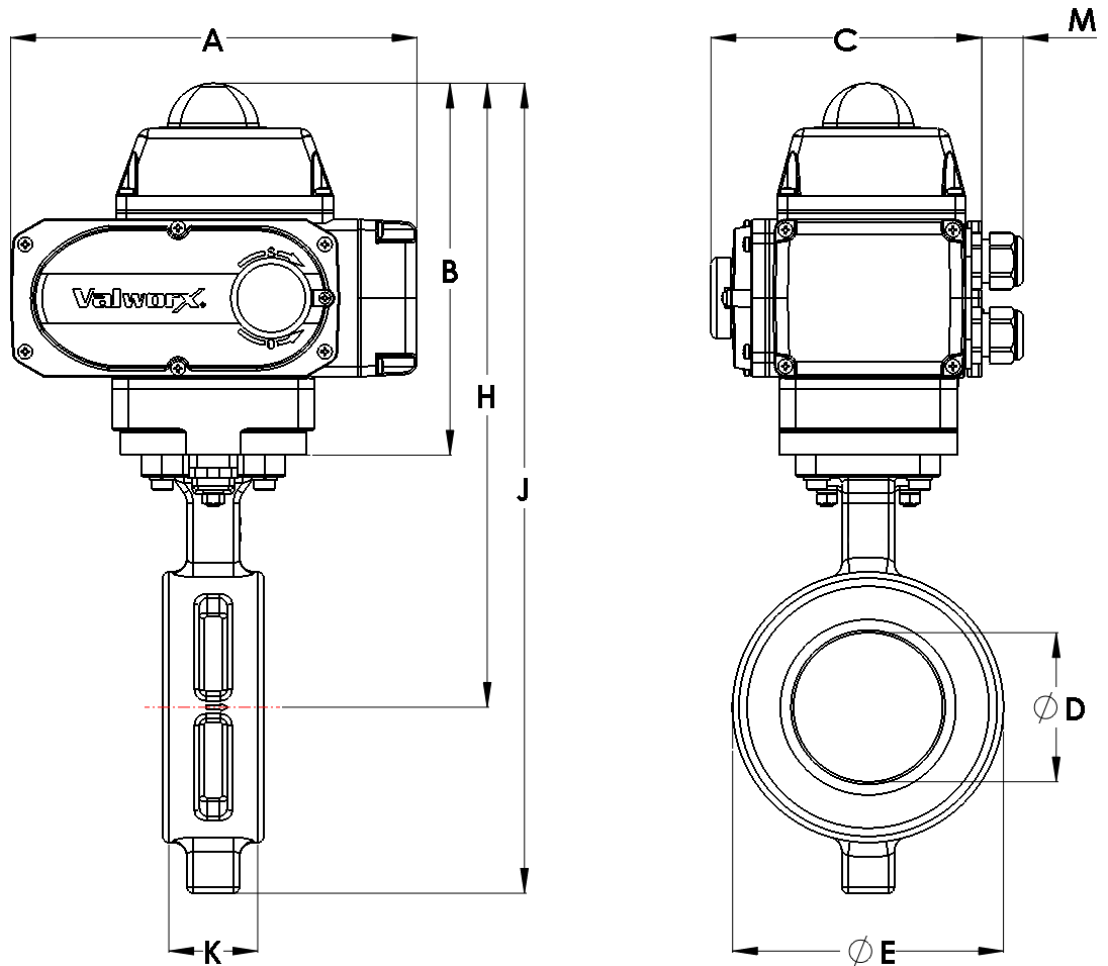


**Suitable  
between  
flanges:**

- ◆ ANSI/ASME B16.5 CLASS150
- ◆ ANSI/ASME B16.1 CLASS125
- ◆ EN1092 PN10, PN16
- ◆ JIS B 2239 10K, 16K
- ◆ BS 10 Table D, Table E

Pipe Size		A	B	C	D	E	H	J	K	M	Weight (AC)
3 DN80	inch	7.7	7.1	5.0	2.8	5.2	11.9	15.4	1.9	1.0	18.7 lb
	mm	195.6	180.3	127.0	72	131	302.3	391.2	49	25.4	8.4 kg
4 DN100	inch	7.7	7.1	5.0	3.7	6.1	12.4	16.5	2.1	1.0	21.9 lb
	mm	195.6	180.3	127.0	94	155	315.0	419.1	54	25.4	9.9 kg
6 DN150	inch	10.1	8.5	6.4	5.5	8.5	15.1	20.5	2.2	1.0	45.4 lb
	mm	256.5	215.9	162.6	140	216	383.5	520.7	57	25.4	20.5 kg
8 DN200	inch	10.1	8.5	6.4	7.3	10.6	16.3	23.1	2.5	1.0	57.8 lb
	mm	256.5	215.9	162.6	185	270	414.0	586.7	64	25.4	26.1 kg

## Dimensions: (24DC)



**Suitable between flanges:**

- ◆ ANSI/ASME B16.5 CLASS150
- ◆ ANSI/ASME B16.1 CLASS125
- ◆ EN1092 PN10, PN16
- ◆ JIS B 2239 10K, 16K
- ◆ BS 10 Table D, Table E

Pipe Size		A	B	C	D	E	H	J	K	M	Weight (DC)
3 DN80	inch	7.7	7.1	5.0	2.8	5.2	11.9	15.4	1.9	1.0	18.7 lb
	mm	195.6	180.3	127.0	72	131	302.3	391.2	49		8.4 kg
4 DN100	inch	10.1	8.5	6.4	3.7	6.1	13.8	17.9	2.1	1.0	21.9 lb
	mm	256.5	215.9	162.6	94	155	350.5	454.7	54		9.9 kg
6 DN150	inch	10.1	8.5	6.4	5.5	8.5	15.1	20.5	2.2	1.0	45.4 lb
	mm	256.5	215.9	162.6	140	216	383.5	520.7	57		20.5 kg