

Features

- Direct mount wafer butterfly valve with ISO5211 mount
- 3-layer epoxy coated ductile iron body with 316 SS disc
- Unique wave line seat reduces torque and extends seal life
- Visual valve position indicator
- Rugged aluminum Type 4X weatherproof enclosure
- Heavy duty motors with overload protection
- Thermostatically controlled anti-condensation heater
- Manual override with end of travel mechanical stops
- Two auxiliary position confirmation limit switches
- EPS - Electronic Positioning System models available
- Actuators CSA Listed per UL429 and CSA C22.2

Applications

EPDM seals typically used for on-off control of water and other media compatible with the materials of construction. NBR (Buna-N) seals typically used for air, oil, vacuum and other media compatible with the materials of construction. Multi-standard alignment holes, suitable for flanges: ANSI/ASME Class 125/150, EN1092 PN10,PN16, BS10 Table D, E and JIS B2239 10K,16K. Actuators designed for 70% duty cycle.

Operation

On-Off electric actuated valve uses power-to-open and power-to-close, stays in the last known position with loss of power. On receipt of a continuous voltage signal, the motor runs and via a rugged all metal gear system rotates the ball 90°. The motor is automatically stopped by internal cams striking limit switches. On receipt of a reversing continuous signal, the motor turns in the opposite direction reversing the valve position. Power connections direct to terminal strip via included cable connector, or optional 1/2" NPT conduit adapters.

Construction

Valve Body	3-layer Epoxy/Epoxy/PUR coated ductile iron
Disc	316 stainless steel CF8M
Disc Seat/Liner	EPDM or NBR (Buna-N)
Stem/Stem Seals	420 stainless steel / (2) v-rings same material as seat
Gear Drive	Heavy duty alloy steel/aluminum bronze, self locking
Actuator Enclosure	Aluminum, polyester powder painted, Type 4X, IP67
Visual Valve Position Indicator	Clear Polycarbonate cover, red/yellow open-closed
Fasteners	Stainless Steel
Auxiliary Limit Switches	2 x SPDT (5A/125VAC), on-off actuators only



Description

Electric operated direct mount butterfly valves with epoxy-coated ductile iron wafer body are designed for commercial and industrial applications. Valve mounts between two standard ANSI/ASME Class 150 flanges and includes integral molded flange gaskets. Disc is precision machined 316SS. Two piece stem and disc design enhances the flow capacity and reduces turbulence. Rugged corrosion resistant electric actuator includes a manual override, valve position confirmation switches (on-off units), thermostatically controlled anti-condensation heater, and over-torque protection.

Approvals

Actuators

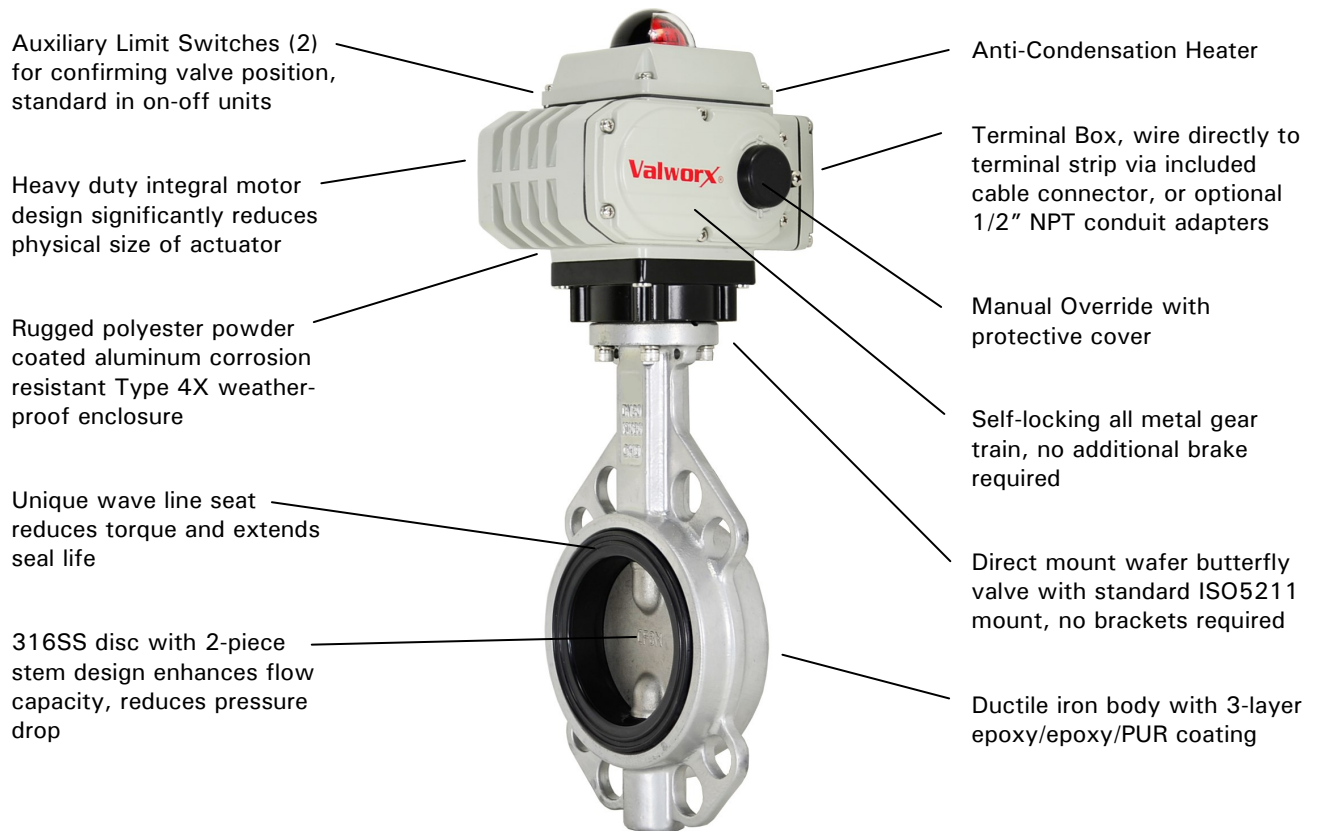
- CSA Listed to:
 - UL429 and CSA C22.2 no 139
 - Type 4X, IP67 weatherproof enclosure
- CE conformance
 - ISO5211 Mounting

Valves

- Design complies with API-609, MSS SP-67
- Tests per API-598, AWWA C502-87
- CE according to PED 97/23/EC, ISO5208



Construction Features



Visual Valve
Position Indicator

Pressure Rating

Pressure Rating: 230 PSI (16 Bar), Vacuum 29in Hg

Temperature Rating

Actuator Temperature Rating: -22 to +140° F (-30 to 60° C)

Valve Temperature Rating: EPDM seals 0 to 248° F (-18 to 120°C)

NBR seals 5 to 185° F (-15 to 85°C)



Electric Actuated Butterfly Valves

Ductile Iron Wafer Body ASME 150#
2 to 6 inch On-Off Models

SERIES
5670

Specifications (English units)

Stock Number	Pipe Size (inch)	Orifice Size (inch)	Cv Flow Factor	Pressure Max.(PSI)	Cycle Time/90° (seconds)	Voltage	Current (amps)	Duty Cycle	Electrical Dwg.
120 VAC ELECTRIC ACTUATED WAFER BODY BUTTERFLY VALVE, EPDM SEALS									
567002A	2	2.00	124	230	20/17	110 VAC, 50/60Hz	0.27	70%	B
567003A	2-1/2	2.50	247	230	20/17	110 VAC, 50/60Hz	0.27	70%	B
567004A	3	3.00	470	230	20/17	110 VAC, 50/60Hz	0.27	70%	B
567005A	4	4.00	929	230	20/17	110 VAC, 50/60Hz	0.27	70%	B
567007A	6	6.00	2243	230	30/25	110 VAC, 50/60Hz	0.73	70%	B
24 VDC ELECTRIC ACTUATED WAFER BODY BUTTERFLY VALVE, EPDM SEALS									
567027A	2	2.00	124	230	20	DC24	1.28	70%	G
567028A	2-1/2	2.50	247	230	20	DC24	1.28	70%	G
567029A	3	3.00	470	230	20	DC24	1.28	70%	G
567030A	4	4.00	929	230	20	DC24	1.28	70%	G
567032A	6	6.00	2243	230	30	DC24	3.57	70%	G
120 VAC ELECTRIC ACTUATED WAFER BODY BUTTERFLY VALVE, NBR (BUNA-N) SEALS									
567036A	2	2.00	124	230	20/17	110 VAC, 50/60Hz	0.27	70%	B
567037A	2-1/2	2.50	247	230	20/17	110 VAC, 50/60Hz	0.27	70%	B
567038A	3	3.00	470	230	20/17	110 VAC, 50/60Hz	0.27	70%	B
567039A	4	4.00	929	230	20/17	110 VAC, 50/60Hz	0.27	70%	B
567041A	6	6.00	2243	230	30/25	110 VAC, 50/60Hz	0.73	70%	B
24 VDC ELECTRIC ACTUATED WAFER BODY BUTTERFLY VALVE, NBR (BUNA-N) SEALS									
567046A	2	2.00	124	230	20	DC24	1.28	70%	G
567047A	2-1/2	2.50	247	230	20	DC24	1.28	70%	G
567048A	3	3.00	470	230	20	DC24	1.28	70%	G
567049A	4	4.00	929	230	20	DC24	1.28	70%	G
567050A	6	6.00	2243	230	30	DC24	3.57	70%	G

• Cv is the GPM of water at 60° F that will pass through the valve with 1 PSI pressure drop



Electric Actuated Butterfly Valves
 Ductile Iron Wafer Body ASME 150#
 2 to 6 inch On-Off Models

SERIES
5670

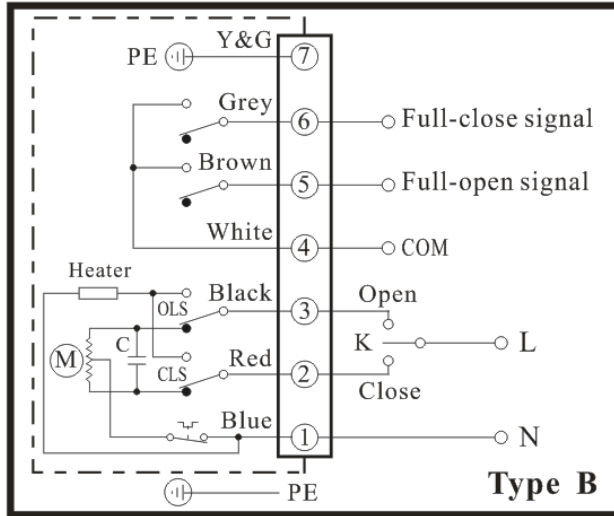
Specifications (Metric units)

Stock Number	Pipe Size (inch)	Orifice Size (mm)	Kv Flow Factor	Pressure Max.(Bar)	Cycle Time/90° (seconds)	Voltage	Current (amps)	Duty Cycle	Electrical Dwg.
120 VAC ELECTRIC ACTUATED WAFER BODY BUTTERFLY VALVE, EPDM SEALS									
567002A	2	50	107	16	20/17	110 VAC, 50/60Hz	0.27	70%	B
567003A	2-1/2	65	212	16	20/17	110 VAC, 50/60Hz	0.27	70%	B
567004A	3	80	404	16	20/17	110 VAC, 50/60Hz	0.27	70%	B
567005A	4	100	799	16	20/17	110 VAC, 50/60Hz	0.27	70%	B
567007A	6	150	1929	16	30/25	110 VAC, 50/60Hz	0.73	70%	B
24 VDC ELECTRIC ACTUATED WAFER BODY BUTTERFLY VALVE, EPDM SEALS									
567027A	2	50	107	16	20	DC24	1.28	70%	G
567028A	2-1/2	65	212	16	20	DC24	1.28	70%	G
567029A	3	80	404	16	20	DC24	1.28	70%	G
567030A	4	100	799	16	20	DC24	1.28	70%	G
567032A	6	150	1929	16	30	DC24	3.57	70%	G
120 VAC ELECTRIC ACTUATED WAFER BODY BUTTERFLY VALVE, NBR (BUNA-N) SEALS									
567036A	2	50	107	16	20/17	110 VAC, 50/60Hz	0.27	70%	B
567037A	2-1/2	65	212	16	20/17	110 VAC, 50/60Hz	0.27	70%	B
567038A	3	80	404	16	20/17	110 VAC, 50/60Hz	0.27	70%	B
567039A	4	100	799	16	20/17	110 VAC, 50/60Hz	0.27	70%	B
567041A	6	150	1929	16	30/25	110 VAC, 50/60Hz	0.73	70%	B
24 VDC ELECTRIC ACTUATED WAFER BODY BUTTERFLY VALVE, NBR BUNA-N) SEALS									
567046A	2	50	107	16	20	DC24	1.28	70%	G
567047A	2-1/2	65	212	16	20	DC24	1.28	70%	G
567048A	3	80	404	16	20	DC24	1.28	70%	G
567049A	4	100	799	16	20	DC24	1.28	70%	G
567050A	6	150	1929	16	30	DC24	3.57	70%	G

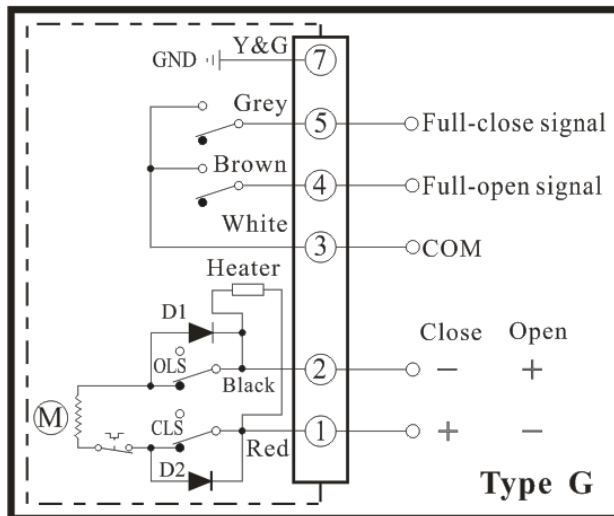
• Kv = The number of m³ per hour of 20° C water at 1 bar pressure drop

Electrical Wiring

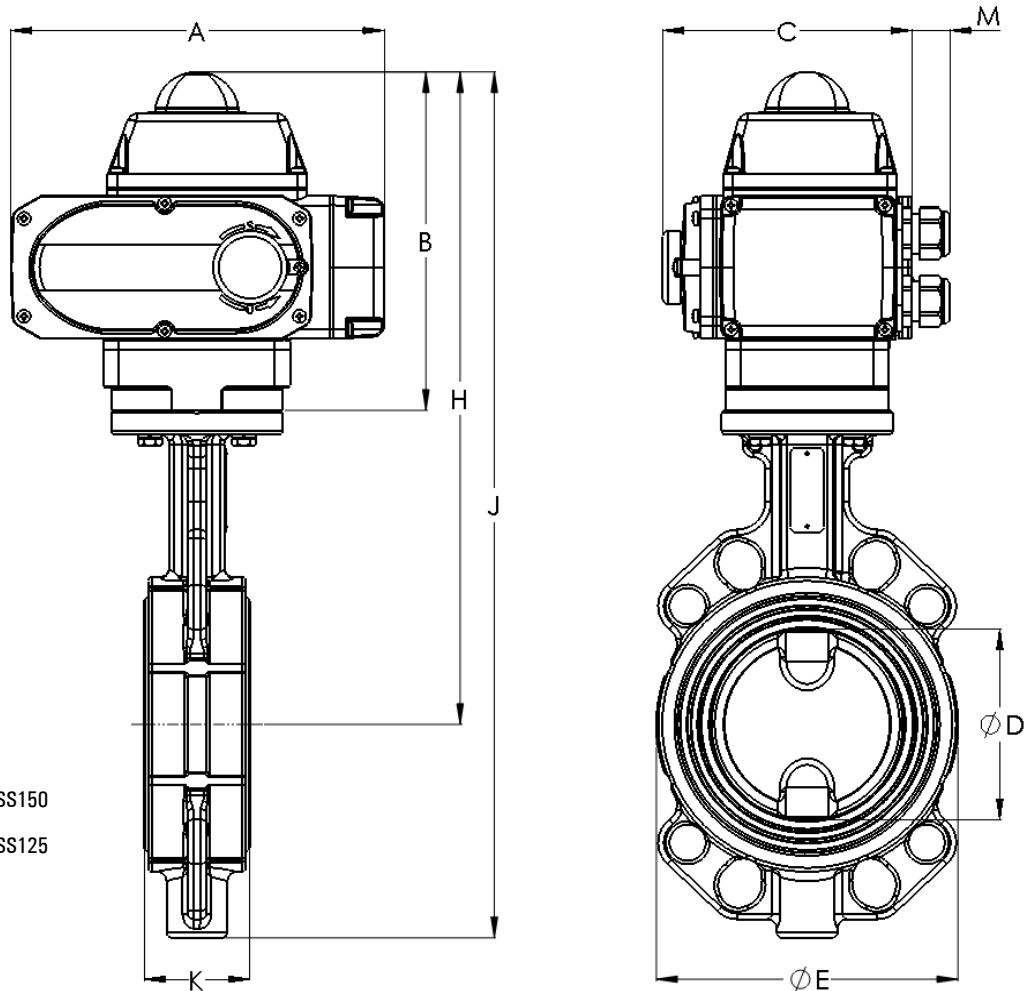
AC Voltages



DC Voltages



Dimensions:



Suitable between flanges:

- ◆ ANSI/ASME B16.5 CLASS150
- ◆ ANSI/ASME B16.1 CLASS125
- ◆ EN1092 PN10, PN16
- ◆ JIS B 2239 10K, 16K
- ◆ BS 10 Table D, Table E

Pipe Size		A	B	C	D	E	H	J	K	M	ISO	Weight (AC/DC)
2 DN50	inch	6.34	7.09	4.65	1.97	3.90	12.05	15.04	1.81	0.98	F05	10.5/9.3 lb
	mm	161	180	118	50	99	306	382	46	25		4.8/4.3 kg
2-1/2 DN65	inch	6.34	7.09	4.65	2.56	4.46	12.36	15.59	1.93	0.98	F05	11.6/10.6 lb
	mm	161	180	118	65	113	314	396	49	25		5.3/4.8 kg
3 DN80	inch	6.34	7.09	4.65	3.15	5.07	13.27	17.03	1.93	0.98	F05	13.4/12.4 lb
	mm	161	180	118	80	129	337	432.5	49	25		6.1/5.6 kg
4 DN100	inch	6.34	7.09	4.65	3.94	6.17	13.66	18.54	2.20	0.98	F05/F07	17.0/16.0 lb
	mm	161	180	118	100	157	347	471	56	25		7.7/7.3 kg
6 DN150	inch	10.08	8.50	6.30	5.91	8.39	16.50	22.24	2.32	0.98	F07	37.2/38.2 lb
	mm	256	216	160	150	213	419	565	59	25		16.9/17.3 kg