

### Features

- Direct mount ISO5211 Full Port 316 stainless steel ball valve
- 1000 PSI working pressure at 100°F (38°C)
- Highly visual dome style valve position indicator
- Rugged aluminum Type 4X weatherproof enclosure
- Heavy duty motors with overload protection
- Anti-condensation heater, thermostatically controlled
- Manual override with end of travel mechanical stops
- Two auxiliary limit switches included (on-off models)
- Triple RTFE/Viton live loaded stem seals, adjustable
- Silicone free valve
- Valve Anti-Static device
- EPS - Electronic Positioner System models available

### Applications

On-off control of water, air, oil and other media compatible with the materials of construction. Steam service up to 25 PSI with optional high temperature mounting kit. Suitable for vacuum service up to 29"Hg. Actuator designed for 70% duty cycle.

### Operation

Electric actuated valve uses power-to-open and power-to-close, stays in the last known position with loss of power. On receipt of a continuous voltage signal, the motor runs and via a rugged all metal gear system rotates the ball 90°. The motor is automatically stopped by internal cams striking limit switches. On receipt of a reversing continuous signal, the motor turns in the opposite direction reversing the valve position. Valves with EPS positioner use an analog input signal to control the position of the ball (flow). Wire directly to terminal strip via supplied cable connector, or use optional 1/2" NPT adapter.

### Construction

<b>Valve Body</b>	316 stainless steel ASTM A351 CF8M
<b>Ball/Stem</b>	316 stainless steel
<b>Ball Seats</b>	RTFE (reinforced Teflon)
<b>Stem Seals</b>	RTFE / FKM (Viton)
<b>Anti-static Device</b>	Ball to Stem (1/4" - 2") + Stem to Body (1-1/2" - 2")
<b>Gear Drive</b>	Heavy duty alloy steel and aluminium bronze
<b>Actuator Enclosure</b>	Aluminum, polyester powder painted, Type 4X, IP67
<b>Visual Valve Position Indicator</b>	Clear polycarbonate cover, red/yellow open-closed
<b>Fasteners</b>	Stainless Steel
<b>Auxiliary Limit Switches</b>	2 x SPDT 3A@125/250VAC, 30VDC resistive load on-off actuators only



### Description

Electric actuated 2-piece stainless steel full port ball valves are investment cast with unrestricted flow and minimum pressure loss. Adjustable live loaded stem seal packing helps compensate for wear, pressure and/or temperature fluctuations, extending the cycle life of the valve. Rugged corrosion resistant electric actuator includes a manual override, valve position confirmation switches (on-off), thermostatically controlled anti-condensation heater, and over-torque protection.

### Approvals

#### Actuators

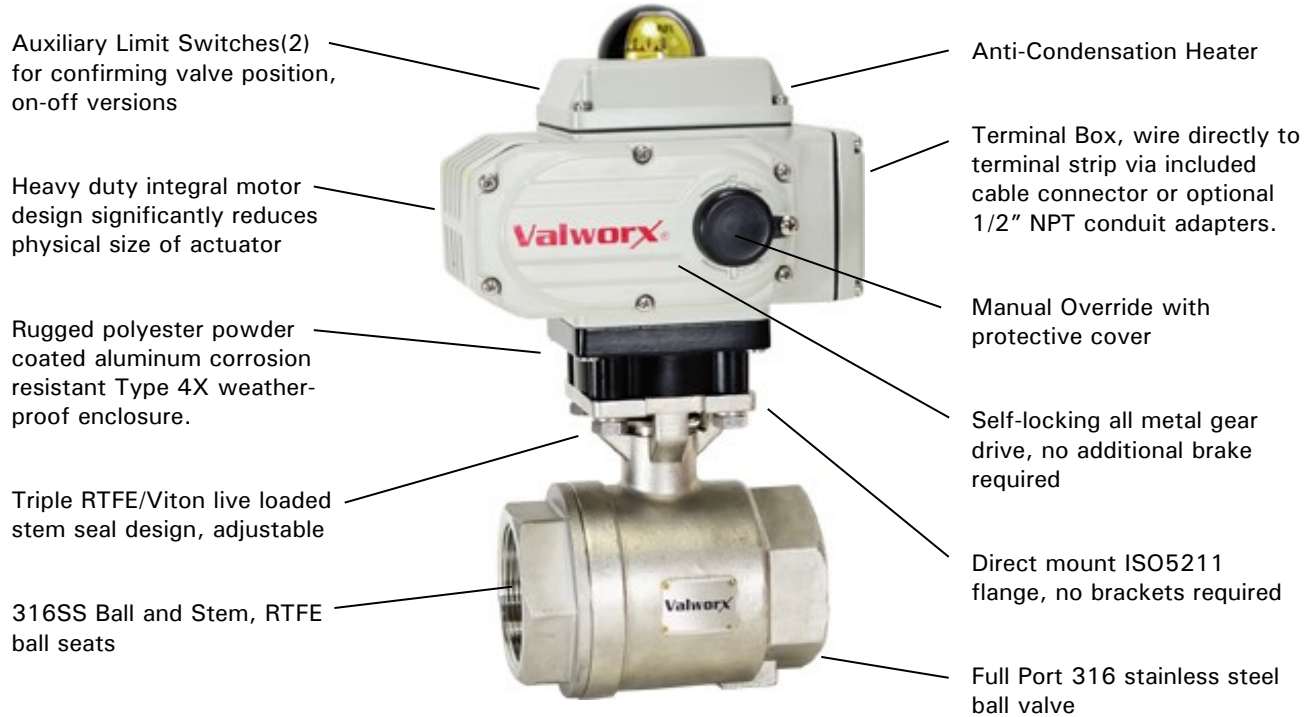
- CSA listed:
  - UL429
  - CSA C22.2 No. 139
  - Type 4X weatherproof enclosure
- CE conformance
  - ISO5211 mounting
  - IP67 weatherproof enclosure

#### Valves

- Pressure tested to API-598
- CE per PED 97/23/EC



### Construction Features



### Pressure-Temperature\*

Pressure Rating: 1000 PSI (69 Bar), Vacuum 29inHg  
 Ball Valve Temperature Rating: -4 to 356° F (-20 to 180° C)  
 Actuator Temperature Rating: -22 to +140° F (-30 to 60° C)  
 \*See P/T chart



Visual Valve  
Position Indicator

### Pressure/Temperature Chart (PSI/°F)

P/T Chart						
PSI	1000	1000	1000	950	875	750
°F	0	50	100	158	200	266

### Pressure/Temperature Chart (Bar/°C)

P/T Chart						
Bar	69	69	69	65	60	52
°C	-18	10	38	70	93	130

**Specifications: On-Off Valves (English units)**

Stock Number	Pipe Size (NPT)	Orifice Size (inch)	Cv Flow Factor	Pressure Max.(PSI)*	Cycle Time/90° (seconds)	Voltage	Current (amps)	Electrical Drawing
<b>120 VAC ELECTRIC ACTUATED STAINLESS BALL VALVES, ON-OFF version</b>								
565202C	1/4	0.5	8	1000	25/21	110 VAC, 50/60Hz	0.27	B
565203C	3/8	0.5	10	1000	25/21	110 VAC, 50/60Hz	0.27	B
565204C	1/2	0.6	15	1000	25/21	110 VAC, 50/60Hz	0.27	B
565206C	3/4	0.8	35	1000	25/21	110 VAC, 50/60Hz	0.27	B
565208C	1	1.0	60	1000	25/21	110 VAC, 50/60Hz	0.27	B
565210C	1-1/4	1.3	90	1000	25/21	110 VAC, 50/60Hz	0.27	B
565212C	1-1/2	1.5	125	1000	25/21	110 VAC, 50/60Hz	0.27	B
565216C	2	2.0	240	1000	25/21	110 VAC, 50/60Hz	0.27	B
<b>24 VDC ELECTRIC ACTUATED STAINLESS BALL VALVES, ON-OFF version</b>								
565244C	1/4	0.5	8	1000	20	DC24	1.28	G
565245C	3/8	0.5	10	1000	20	DC24	1.28	G
565246C	1/2	0.6	15	1000	20	DC24	1.28	G
565247C	3/4	0.8	35	1000	20	DC24	1.28	G
565249C	1	1.0	60	1000	20	DC24	1.28	G
565250C	1-1/4	1.3	90	1000	20	DC24	1.28	G
565251C	1-1/2	1.5	125	1000	20	DC24	1.28	G
565252C	2	2.0	240	1000	20	DC24	1.28	G

\* Pressure @ 100° F (see P/T chart for maximum pressure at higher temperatures)

**On-Off Electric Actuated Valves**

Valworx electric actuated valves use power-to-open and power-to-close, stays in the last known position with loss of power. The actuator will rotate the output drive 90° to open or close the ball valve. Limit switches automatically stop the motor drive in either the open or closed position as required.

Two auxiliary limit switches are provided as standard with on-off actuators to confirm valve open or closed position.

Rugged primary gear drive system is made of heat treated alloy steel for high strength, excellent wear resistance and high torque. Final stage aluminium bronze worm gear drive is self-locking, no motor brake required.

A manual override is provided for use in setup or power failure situations. The override is operated with a standard hex wrench (included).

The standard 4 watt thermostatically controlled anti-condensation heater will help prevent failures due to condensation buildup inside the actuator.

Robust aluminium alloy housing is corrosion-resistant, polyester powder coated, and weatherproof. The housing is rated Type 4X (IP67) and certified by CSA. Heavy duty motors are integral to the actuator housing. The actuator has the smallest physical size to power ratio of most actuators on the market.

Electrical wiring is directly to a terminal strip via cable connectors (included) or optional 1/2" NPT conduit adapters.

## Specifications: Valves with EPS Positioners (English units)

Stock Number	Pipe Size (NPT)	Orifice Size (inch)	Cv Flow Factor	Pressure Max.(PSI)*	Cycle Time/90° (seconds)	Voltage	Current (amps)	Electrical Drawing
<b>120 VAC ELECTRIC ACTUATED STAINLESS BALL VALVES with EPS POSITIONER 4-20mA input</b>								
565255C	1/4	0.5	8	1000	25/21	110 VAC, 50/60Hz	0.27	E
565256C	3/8	0.5	10	1000	25/21	110 VAC, 50/60Hz	0.27	E
565257C	1/2	0.6	15	1000	25/21	110 VAC, 50/60Hz	0.27	E
565258C	3/4	0.8	35	1000	25/21	110 VAC, 50/60Hz	0.27	E
565259C	1	1.0	60	1000	25/21	110 VAC, 50/60Hz	0.27	E
565260C	1-1/4	1.3	90	1000	25/21	110 VAC, 50/60Hz	0.27	E
565261C	1-1/2	1.5	125	1000	25/21	110 VAC, 50/60Hz	0.27	E
565262C	2	2.0	240	1000	25/21	110 VAC, 50/60Hz	0.27	E
<b>24 VDC ELECTRIC ACTUATED STAINLESS BALL VALVES with EPS POSITIONER 4-20mA input</b>								
565265A	1/4	0.5	8	1000	30	DC24	1.0	GE
565266A	3/8	0.5	10	1000	30	DC24	1.0	GE
565267A	1/2	0.6	15	1000	30	DC24	1.0	GE
565268A	3/4	0.8	35	1000	30	DC24	1.0	GE
565269A	1	1.0	60	1000	30	DC24	1.0	GE
565270A	1-1/4	1.3	90	1000	30	DC24	1.0	GE
565271A	1-1/2	1.5	125	1000	30	DC24	1.0	GE
565272A	2	2.0	240	1000	30	DC24	1.0	GE

\* Pressure @ 100° F (see P/T chart for maximum pressure at higher temperatures)

## EPS - Electronic Positioning System

### Valve positioning and how it works?

Valworx electric actuators with EPS- Electronic Positioning System provide an accurate valve positioning function whereby the movement of the actuator is controlled by a 4-20mA input control signal. Any change in the control input signal results in a corresponding and proportional change in the position of the actuator (valve).

This is achieved with a unique built in electronic positioning module. The module is fully potted to help protect the electronics from vibration and moisture resistance.

An internal microprocessor on the EPS circuit board continuously monitors the analog input and output signals and compares them to the physical position via a precision potentiometer feedback system, moving the actuator as required to balance the signals.

The EPS system is self-calibrating which virtually eliminates "hunting". The following functions are standard:

- Position monitoring output signal in same format as input. Ex: 4-20mA input, 4-20mA output
- Adjustable forward or reversing action.
- Deadband adjustment
- Selectable fail mode: fail closed, fail open or stop in place (for loss of input command signal).
- Electric manual control with onboard switches
- Fault LED lights indicate valve jam or signal loss
- Electronic brake function



**Electric Actuated Ball Valves**  
2-way Stainless Steel, Full Port  
On-Off Models

SERIES  
**5652**

**Specifications: On-Off Valves (Metric units)**

Stock Number	Pipe Size (NPT)	Orifice Size (mm)	Kv Flow Factor	Pressure Max.(Bar)*	Cycle Time/90° (seconds)	Voltage	Current (amps)	Electrical Drawing
<b>120 VAC ELECTRIC ACTUATED STAINLESS BALL VALVE, ON-OFF Version</b>								
565202C	1/4	11.5	7.0	69	25/21	110 VAC, 50/60Hz	0.27	B
565203C	3/8	12.5	8.6	69	25/21	110 VAC, 50/60Hz	0.27	B
565204C	1/2	15.0	13.0	69	25/21	110 VAC, 50/60Hz	0.27	B
565206C	3/4	20.0	30.0	69	25/21	110 VAC, 50/60Hz	0.27	B
565208C	1	25.0	52.0	69	25/21	110 VAC, 50/60Hz	0.27	B
565210C	1-1/4	32.0	77.0	69	25/21	110 VAC, 50/60Hz	0.27	B
565212C	1-1/2	38.0	107.0	69	25/21	110 VAC, 50/60Hz	0.27	B
565216C	2	50.0	206.0	69	25/21	110 VAC, 50/60Hz	0.27	B
<b>24 VDC ELECTRIC ACTUATED STAINLESS BALL VALVE, ON-OFF Version</b>								
565244C	1/4	11.5	7.0	69	20	DC24	1.28	G
565245C	3/8	12.5	8.6	69	20	DC24	1.28	G
565246C	1/2	15.0	13.0	69	20	DC24	1.28	G
565247C	3/4	20.0	30.0	69	20	DC24	1.28	G
565249C	1	25.0	52.0	69	20	DC24	1.28	G
565250C	1-1/4	32.0	77.0	69	20	DC24	1.28	G
565251C	1-1/2	38.0	107.0	69	20	DC24	1.28	G
565252C	2	50.0	206.0	69	20	DC24	1.28	G

\* Pressure @ 38° C (see P/T chart for maximum pressure at higher temperatures)



# Electric Actuated Ball Valves

## 2-way Stainless Steel, Full Port EPS Positioner Models

SERIES  
**5652**

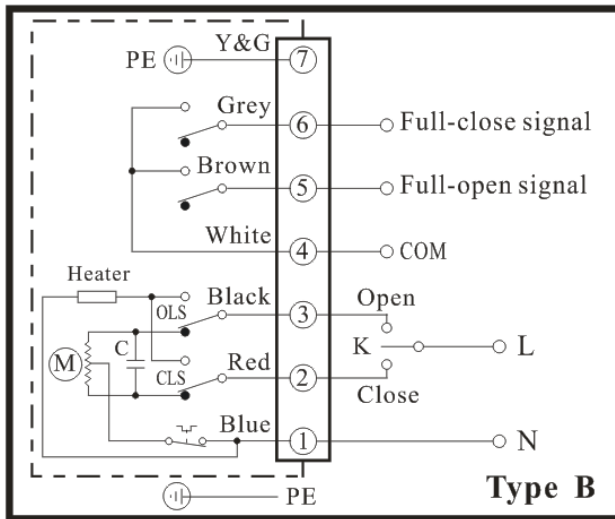
### Specifications: Valves with EPS Positioners (Metric units)

Stock Number	Pipe Size (NPT)	Orifice Size (mm)	Kv Flow Factor	Pressure Max.(Bar)*	Cycle Time/90° (seconds)	Voltage	Current (amps)	Electrical Drawing
<b>120 VAC ELECTRIC ACTUATED STAINLESS BALL VALVES with EPS POSITIONER 4-20mA input</b>								
565255C	1/4	11.5	7.0	69	25/21	110 VAC, 50/60Hz	0.27	E
565256C	3/8	12.5	8.6	69	25/21	110 VAC, 50/60Hz	0.27	E
565257C	1/2	15.0	13.0	69	25/21	110 VAC, 50/60Hz	0.27	E
565258C	3/4	20.0	30.0	69	25/21	110 VAC, 50/60Hz	0.27	E
565259C	1	25.0	52.0	69	25/21	110 VAC, 50/60Hz	0.27	E
565260C	1-1/4	32.0	77.0	69	25/21	110 VAC, 50/60Hz	0.27	E
565261C	1-1/2	38.0	107.0	69	25/21	110 VAC, 50/60Hz	0.27	E
565262C	2	50.0	206.0	69	25/21	110 VAC, 50/60Hz	0.27	E
<b>24 VDC ELECTRIC ACTUATED STAINLESS BALL VALVE with EPS POSITIONER 4-20mA input</b>								
565265A	1/4	11.5	7.0	69	30	DC24	1.0	GE
565266A	3/8	12.5	8.6	69	30	DC24	1.0	GE
565267A	1/2	15.0	13.0	69	30	DC24	1.0	GE
565268A	3/4	20.0	30.0	69	30	DC24	1.0	GE
565269A	1	25.0	52.0	69	30	DC24	1.0	GE
565270A	1-1/4	32.0	77.0	69	30	DC24	1.0	GE
565271A	1-1/2	38.0	107.0	69	30	DC24	1.0	GE
565272A	2	50.0	206.0	69	30	DC24	1.0	GE

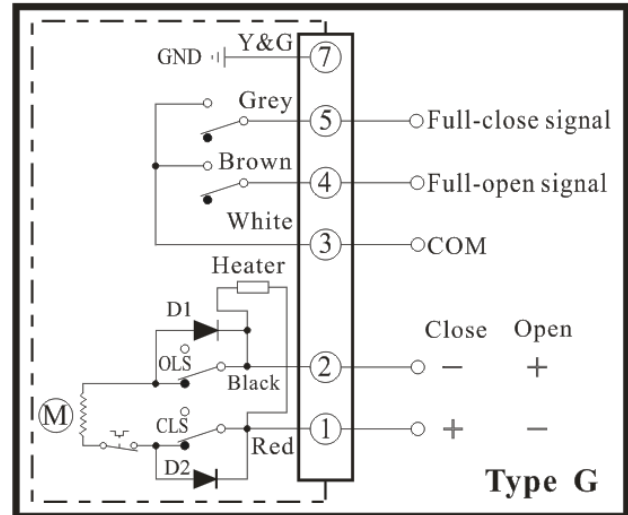
\* Pressure @ 38° C (see P/T chart for maximum pressure at higher temperatures)

## Electrical Wiring

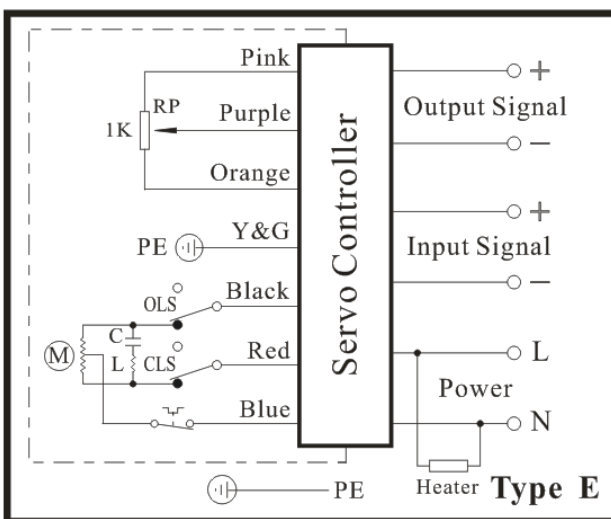
### ON-OFF Valves AC Voltages



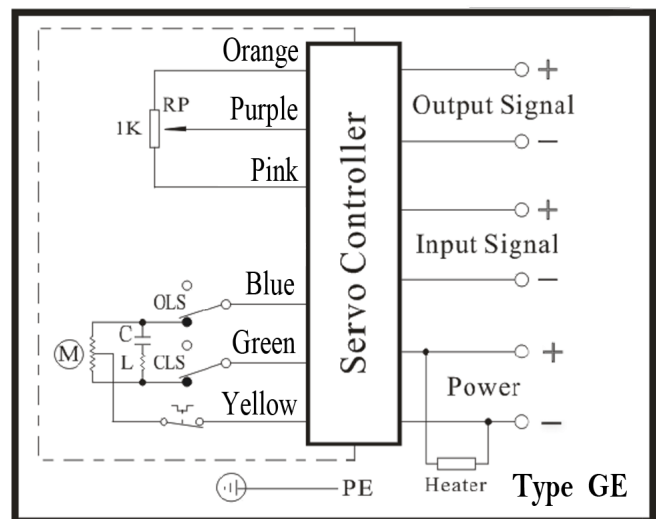
### ON-OFF Valves DC Voltages



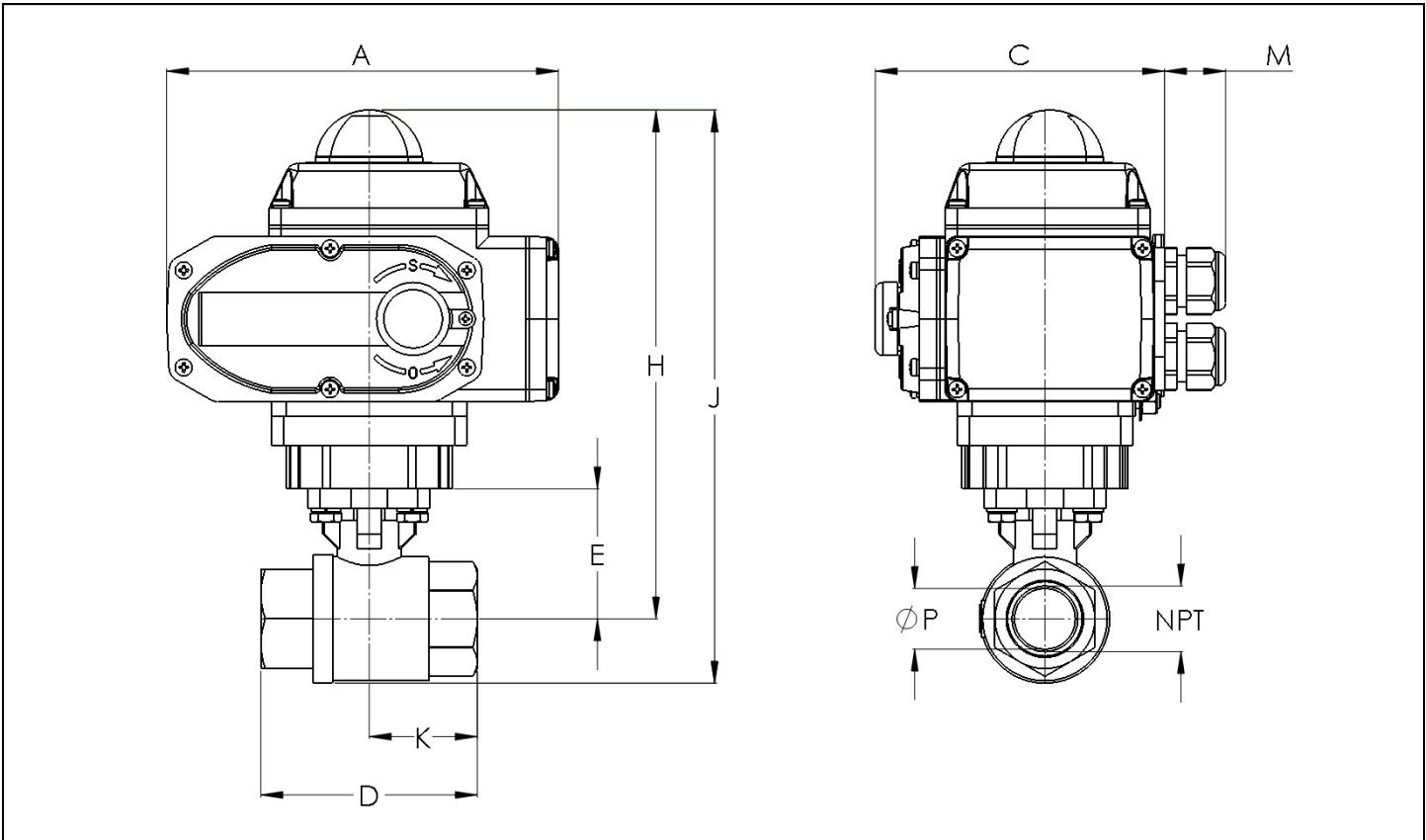
### Valves with EPS Positioners AC Voltages



### Valves with EPS Positioners DC Voltages



## Dimensions



Pipe Size (NPT)		A	C	D	E	H	J	K	M	P	Weight (AC/DC)
1/4	inch	6.4	4.7	2.6	1.5	7.7	8.4	1.2	1.0	0.5	6.9 / 9.4 lb
	mm	162.0	118.5	65.3	37.0	195.0	212.3	31.0	25.0	11.5	3.1 / 4.3 kg
3/8	inch	6.4	4.7	2.6	1.5	7.7	8.4	1.2	1.0	0.5	6.9 / 9.4 lb
	mm	162.0	118.5	65.3	37.0	195.0	212.3	31.0	25.0	12.5	3.1 / 4.3 kg
1/2	inch	6.4	4.7	2.6	1.5	7.7	8.4	1.2	1.0	0.6	6.9 / 9.4 lb
	mm	162.0	118.5	65.3	37.0	195.0	212.3	31.0	25.0	15.0	3.1 / 4.3 kg
3/4	inch	6.4	4.7	3.0	2.1	8.0	8.9	1.5	1.0	0.8	7.3 / 9.8 lb
	mm	162.0	118.5	77.3	53.5	203.0	225.1	38.7	25.0	20.0	3.3 / 4.4 kg
1	inch	6.4	4.7	3.5	2.1	8.3	9.3	1.7	1.0	1.0	7.9 / 10.4 lb
	mm	162.0	118.5	88.7	53.5	211.5	236.8	43.8	25.0	25.0	3.6 / 4.7 kg
1-1/4	inch	6.4	4.7	4.0	2.3	8.5	9.8	2.0	1.0	1.3	8.9 / 11.4 lb
	mm	162.0	118.5	102.0	59.0	217.0	249.5	50.7	25.0	32.0	4.0 / 5.2 kg
1-1/2	inch	6.4	4.7	4.3	2.9	9.2	10.6	2.2	1.0	1.5	10.6 / 13.1 lb
	mm	162.0	118.5	109.0	74.8	232.8	270.0	55.0	25.0	38.0	4.8 / 5.9 kg
2	inch	6.4	4.7	4.9	3.3	9.5	11.3	2.4	1.0	2.0	12.6 / 15.1 lb
	mm	162.0	118.5	125.0	83.5	241.5	288.0	61.3	25.0	50.0	5.7 / 6.8 kg