

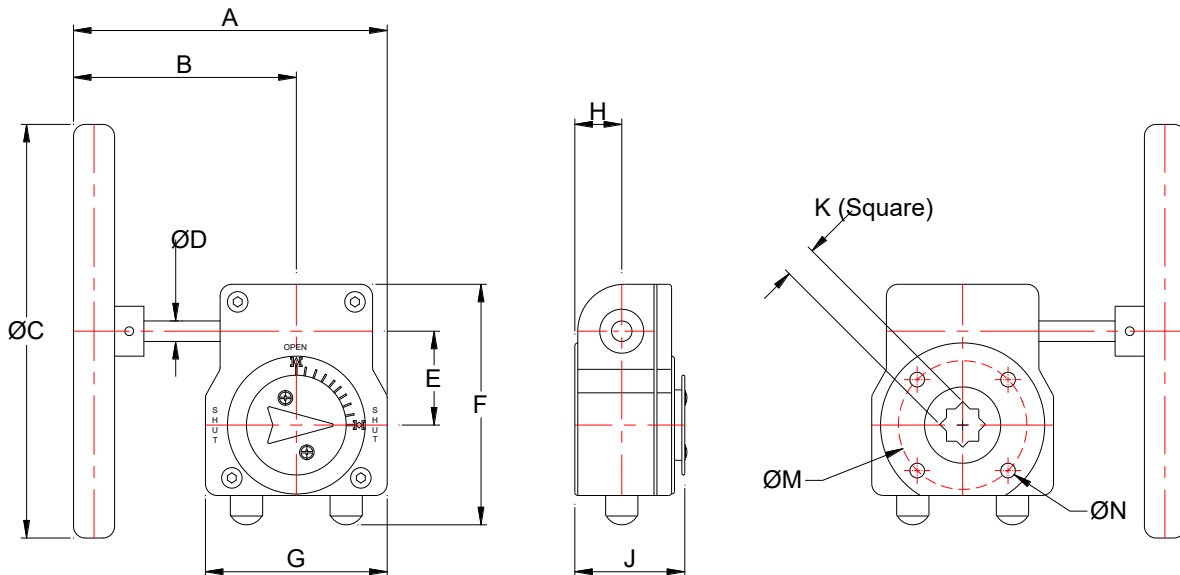
Features

- Aluminum alloy housing
- Hand wheel control
- Steel input shaft and worm gear drive
- Easy ISO5211 mounting in any position
- Waterproof enclosure
- Adjustable travel stops are standard and factory set
- Can be used in many other industrial applications
- Stainless Steel bolts and nuts
- Operators Available for PVC (3-12") & Cast Iron Butterfly Valves (4-6")



Specifications - Gear Operators Available for PVC & Cast Iron Butterfly Valves

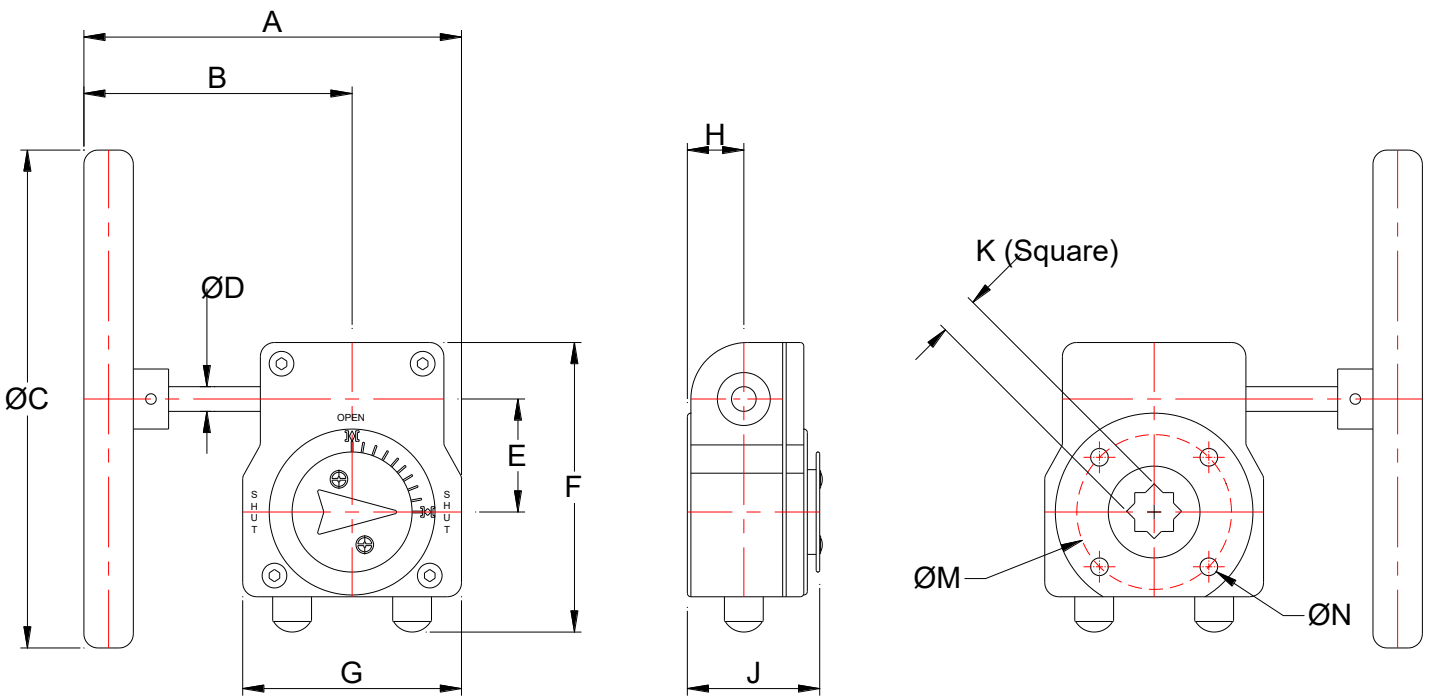
Stock No.	Valve Body Material	Valve Size	Input Torque (nm/in. lbs)	Output Torque (nm/in. lbs)	Ratio	Description
565009	Cast Iron	4"	18.5/163	150/1327	37:1	Hand wheel gear operator for Cast Iron valves (DN100), 304 SS fasteners
565014	PVC	4"	18.5/163	150/1327	37:1	Hand wheel gear operator for PVC valves (DN100), 18-8 SS fasteners
565008	Cast Iron	6"	18.5/163	150/1327	37:1	Hand wheel gear operator for Cast Iron valves (DN150), 304 SS fasteners
565016	PVC	6"	18.5/163	150/1327	37:1	Hand wheel gear operator for PVC valves (DN150), 18-8 SS fasteners



Pipe Size		A	B	C	D	E	F	G	H	J	K	M	N	ISO	Weight
4 (DN100)	inch	6.77	4.69	7.87	0.47	2.01	5.12	3.94	1.02	2.05	0.67	2.76	-	F07	4.9 lbs
	mm	172	119	200	12	51	130	100	26	52	14	70	M8x16 depth		2.22 kg
6 (DN150)	inch	6.77	4.69	7.87	0.47	2.01	5.12	3.94	1.02	2.05	0.67	2.76	-	F07	4.9 lbs
	mm	172	119	200	12	51	130	100	26	52	17	70	M8x16 depth		2.22 kg

Specifications - Gear Operators Available for PVC Butterfly Valves

Stock No.	Valve Body Material	Valve Size	Input Torque (nm/in. lbs)	Output Torque (nm/in. lbs)	Ratio	Description
565014	PVC	3"	18.5/163	150/1327	37:1	Hand wheel gear operator for PVC valves (DN80), 18-8 SS fasteners
565018	PVC	8"	83/734	750/6638	45:1	Hand wheel gear operator for PVC valves (DN200), 18-8 SS fasteners
565010	PVC	10"	150/1327	1200/10620	40:1	Hand wheel gear operator for PVC valves (DN250), 18-8 SS fasteners
565010	PVC	12"	150/1327	1200/10620	40:1	Hand wheel gear operator for PVC valves (DN300), 18-8 SS fasteners



Pipe Size		A	B	C	D	E	F	G	H	J	K	M	N	ISO	Weight
3 (DN80)	inch	6.77	4.69	7.87	0.47	2.01	5.12	3.94	1.02	2.05	0.67	2.76	-	F07	4.9 lbs
	mm	172	119	200	12	51	130	100	26	52	14	70	M8x16 depth		2.22 kg
8 (DN200)	inch	11.5	8.7	11.8	0.6	2.4	6.7	5.7	1.5	3.0	0.9	4.0	-	F10	11.9 lbs
	mm	293	220	300	15	60	171	146	38	76	22	102	M10x20 depth		5.4 kg
10 (DN250)	inch	16.1	12.7	15.7	0.79	3.1	8.43	6.9	1.56	3.43	1.06	5.51	-	F14	20.1 lbs
	mm	410	323	400	20	80	214	175	39.5	87	27	140	M16x20 depth		9.1 kg
12 (DN300)	inch	16.1	12.7	15.7	0.79	3.1	8.43	6.9	1.56	3.43	1.06	5.51	-	F14	20.1 lbs
	mm	410	323	400	20	80	214	175	39.5	87	27	140	M16x20 depth		9.1 kg