

Features

- Wafer butterfly valve with ISO5211 direct mount actuator
- Unique wave line seat reduces torque and extends seal life
- Ductile iron body with 3-layer epoxy coating and 316SS disc
- Actuator designed for extended cycle life (1 million cycles)
- Rugged rack and pinion design
- Highly visible valve position indicator
- Dry or lubricated pilot air supply
- Factory lubricated for normal life
- Anodized aluminum body with epoxy-polyester end covers
- Namur and ISO mounting standards

Applications

EPDM seals typically used for on-off control of water and other media compatible with the materials of construction. NBR (Buna-N) seals typically used for air, oil, vacuum and other media compatible with the materials of construction. Available in either failsafe spring return or double acting designs. Multi-standard alignment holes, suitable for flanges: ANSI/ASME Class 125/150, EN1092 PN10,PN16, BS10 Table D, E and JIS B2239 10K,16K

Temperature Range

Actuator Temperature Rating: 0 to 180° F (-18 to 82° C)

Valve Temperature Rating: EPDM seals 0 to 248° F (-18 to 120°C)

NBR seals 5 to 185° F (-15 to 85°C)

Construction

| | |
|---------------------------------|--|
| Valve Body | 3-layer Epoxy/Epoxy/PUR coated ductile iron |
| Disc | 316 stainless steel CF8M |
| Disc Seat/Liner | EPDM or NBR (Buna-N) |
| Stem/Stem Seals | 420 stainless steel / V-ring (same material as seat) |
| Actuator Body/End Covers | Hard anodized aluminum/Polyester coated aluminum |
| Valve Position Indicator | Glass filled Polyamide |
| Fasteners | Stainless Steel |
| Actuator Seals | NBR |



Operation

Spring return valves use a pilot air pressure signal to open the valve and springs (failsafe) to close the valve when exhausting of the pilot signal. Double acting valves use air pressure to open the valve and air pressure to close the valve.

Description

Direct mount butterfly valve with epoxy-coated ductile iron lug body are designed for commercial and industrial applications. Valve mounts between two standard ANSI/ASME Class 125/ 150 and other international flanges. Seat to flange seal, eliminates the need for flange gaskets. Disc is precision machined 316SS. Two piece stem and disc design enhances the flow capacity and reduces turbulence.

Options

- Namur direct mount pilot solenoid valves
- Limit switch/Visual valve position indicator
- Pneumatic valve positioners 4-20mA or 3-15 PSI inputs

Specifications (English units)

| Stock Number | Pipe Size (inch) | Orifice Diam. (inch) | Cv Flow Factor | Pressure Max.(PSI) | Fluid Media* | Cycle Time/90° (seconds) | Air Pilot Pressure (PSI) |
|--|------------------|----------------------|----------------|--------------------|------------------|--------------------------|--------------------------|
| Wafer Body EPDM Seals: SPRING RETURN | | | | | | | |
| 564002 | 2 | 2.00 | 124 | 230 | Water | 1 | 80-120 |
| 564003 | 2-1/2 | 2.50 | 247 | 230 | Water | 1 - 1.5 | 80-120 |
| 564004 | 3 | 3.00 | 470 | 230 | Water | 1 - 1.5 | 80-120 |
| 564005 | 4 | 4.00 | 929 | 230 | Water | 1 - 1.5 | 80-120 |
| 564007 | 6 | 6.00 | 2243 | 230 | Water | 1 - 1.5 | 80-120 |
| Wafer Body EPDM Seals: DOUBLE ACTING | | | | | | | |
| 564012 | 2 | 2.00 | 124 | 230 | Water | 1 | 80-120 |
| 564013 | 2-1/2 | 2.50 | 247 | 230 | Water | 1 | 80-120 |
| 564014 | 3 | 3.00 | 470 | 230 | Water | 1 | 80-120 |
| 564015 | 4 | 4.00 | 929 | 230 | Water | 1 - 1.5 | 80-120 |
| 564017 | 6 | 6.00 | 2243 | 230 | Water | 1 - 1.5 | 80-120 |
| Wafer Body NBR (Buna- N) Seals: SPRING RETURN | | | | | | | |
| 564021 | 2 | 2.00 | 124 | 230 | Air, Oil, Vacuum | 1 | 80-120 |
| 564022 | 2-1/2 | 2.50 | 247 | 230 | Air, Oil, Vacuum | 1 - 1.5 | 80-120 |
| 564023 | 3 | 3.00 | 470 | 230 | Air, Oil, Vacuum | 1 - 1.5 | 80-120 |
| 564024 | 4 | 4.00 | 929 | 230 | Air, Oil, Vacuum | 1 - 1.5 | 80-120 |
| 564026 | 6 | 6.00 | 2243 | 230 | Air, Oil, Vacuum | 1 - 1.5 | 80-120 |
| Wafer Body NBR (Buna- N) Seals: DOUBLE ACTING | | | | | | | |
| 564031 | 2 | 2.00 | 124 | 230 | Air, Oil, Vacuum | 1 | 80-120 |
| 564032 | 2-1/2 | 2.50 | 247 | 230 | Air, Oil, Vacuum | 1 | 80-120 |
| 564033 | 3 | 3.00 | 470 | 230 | Air, Oil, Vacuum | 1 | 80-120 |
| 564034 | 4 | 4.00 | 929 | 230 | Air, Oil, Vacuum | 1 - 1.5 | 80-120 |
| 564036 | 6 | 6.00 | 2243 | 230 | Air, Oil, Vacuum | 1 - 1.5 | 80-120 |

Cv is the GPM of water at 60° F that will pass through the valve with 1 PSI pressure drop

* Consult compatibility chart for other fluid media. Suitable for vacuum up to 29 inHg

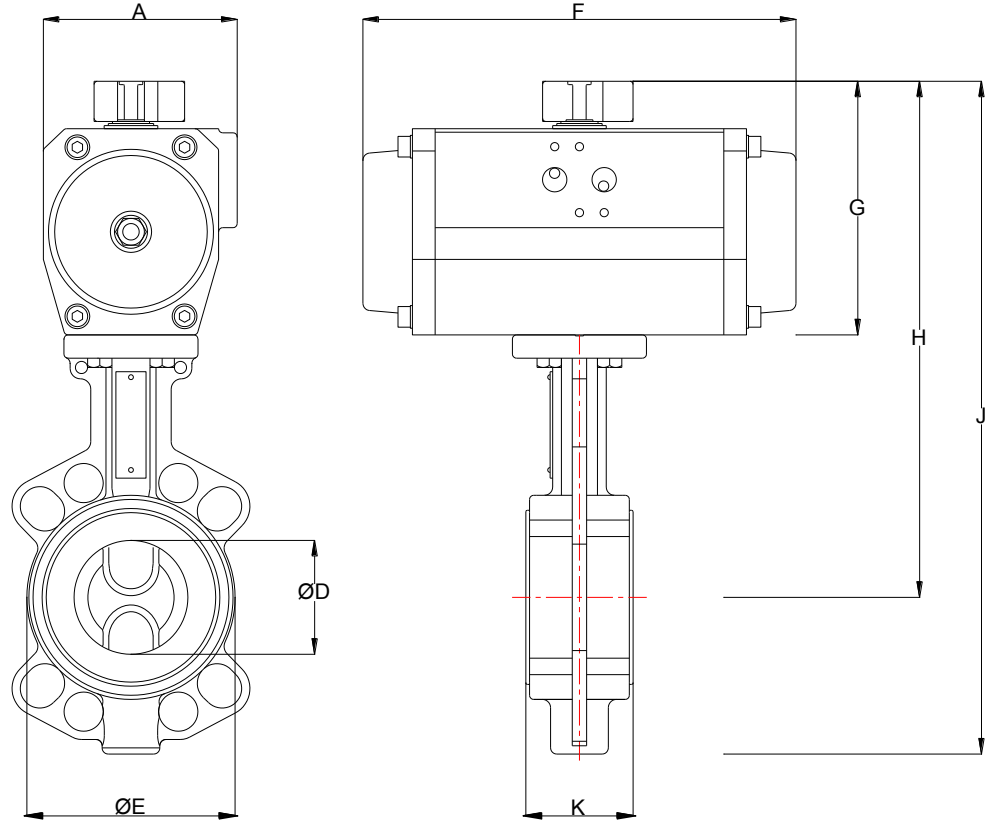
Specifications (Metric units)

| Stock Number | Pipe Size (DN) | Orifice Diam. (mm) | Kv Flow Factor | Pressure Max.(Bar) | Fluid Media* | Cycle Time/90° (seconds) | Air Pilot Pressure (Bar) |
|--|----------------|--------------------|----------------|--------------------|------------------|--------------------------|--------------------------|
| Wafer Body EPDM Seals: SPRING RETURN | | | | | | | |
| 564002 | 50 | 50 | 107 | 16 | Water | 1 | 5.5 - 8 |
| 564003 | 65 | 65 | 212 | 16 | Water | 1 - 1.5 | 5.5 - 8 |
| 564004 | 80 | 80 | 404 | 16 | Water | 1 - 1.5 | 5.5 - 8 |
| 564005 | 100 | 100 | 799 | 16 | Water | 1 - 1.5 | 5.5 - 8 |
| 564007 | 150 | 150 | 1929 | 16 | Water | 1 - 1.5 | 5.5 - 8 |
| Wafer Body EPDM Seals: DOUBLE ACTING | | | | | | | |
| 564012 | 50 | 50 | 107 | 16 | Water | 1 | 5.5 - 8 |
| 564013 | 65 | 65 | 212 | 16 | Water | 1 | 5.5 - 8 |
| 564014 | 80 | 80 | 404 | 16 | Water | 1 | 5.5 - 8 |
| 564015 | 100 | 100 | 799 | 16 | Water | 1 - 1.5 | 5.5 - 8 |
| 564017 | 150 | 150 | 1929 | 16 | Water | 1 - 1.5 | 5.5 - 8 |
| Wafer Body NBR (Buna- N) Seals: SPRING RETURN | | | | | | | |
| 564021 | 50 | 50 | 107 | 16 | Air, Oil, Vacuum | 1 | 5.5 - 8 |
| 564022 | 65 | 65 | 212 | 16 | Air, Oil, Vacuum | 1 - 1.5 | 5.5 - 8 |
| 564023 | 80 | 80 | 404 | 16 | Air, Oil, Vacuum | 1 - 1.5 | 5.5 - 8 |
| 564024 | 100 | 100 | 799 | 16 | Air, Oil, Vacuum | 1 - 1.5 | 5.5 - 8 |
| 564026 | 150 | 150 | 1929 | 16 | Air, Oil, Vacuum | 1 - 1.5 | 5.5 - 8 |
| Wafer Body NBR (Buna- N) Seals: DOUBLE ACTING | | | | | | | |
| 564031 | 50 | 50 | 107 | 16 | Air, Oil, Vacuum | 1 | 5.5 - 8 |
| 564032 | 65 | 65 | 212 | 16 | Air, Oil, Vacuum | 1 | 5.5 - 8 |
| 564033 | 80 | 80 | 404 | 16 | Air, Oil, Vacuum | 1 | 5.5 - 8 |
| 564034 | 100 | 100 | 799 | 16 | Air, Oil, Vacuum | 1 - 1.5 | 5.5 - 8 |
| 564036 | 150 | 150 | 1929 | 16 | Air, Oil, Vacuum | 1 - 1.5 | 5.5 - 8 |

Kv = The number of m³ per hour of 20° C water at 1 bar pressure drop

* Consult compatibility chart for other fluid media. Suitable for vacuum up to 29 inHg

Dimensions 2" to 6" Sizes



Suitable between flanges:

- ◆ ANSI/ASME B16.5 CLASS150
- ◆ ANSI/ASME B16.1 CLASS125
- ◆ EN1092 PN10, PN16
- ◆ JIS B 2239 10K, 16K
- ◆ BS 10 Table D, Table E

Spring Return Dimensions: inches (mm)

| Pipe Size | A | D | E | F | G | H | J | K | ISO | Weight lbs (kg) |
|--------------|------------|------------|------------|-------------|------------|-------------|-------------|-----------|--------|-----------------|
| 2 (DN50) | 3.39 (86) | 1.97 (50) | 3.90 (99) | 6.14 (156) | 4.25 (108) | 9.21 (234) | 12.20 (310) | 1.81 (46) | F05 | 8.6 (3.9) |
| 2-1/2 (DN65) | 3.70 (94) | 2.56 (65) | 4.46 (113) | 8.27 (210) | 4.92 (125) | 10.20 (259) | 13.43 (341) | 1.93 (49) | F05 | 12.8 (5.8) |
| 3 (DN80) | 4.09 (104) | 3.15 (80) | 5.07 (129) | 9.06 (230) | 5.31 (135) | 11.50 (292) | 15.28 (388) | 1.93 (49) | F05 | 17.7 (8.0) |
| 4 (DN100) | 4.72 (120) | 3.94 (100) | 6.17 (157) | 11.06 (281) | 5.12 (130) | 11.69 (297) | 16.18 (411) | 2.19 (56) | F05/07 | 25.6 (11.6) |
| 6 (DN150) | 5.28 (134) | 5.91 (150) | 8.39 (213) | 12.20 (310) | 5.79 (147) | 13.78 (350) | 19.37 (492) | 2.31 (59) | F07 | 47.4 (21.5) |

Double Acting Dimensions: inches (mm)

| Pipe Size | A | D | E | F | G | H | J | K | ISO | Weight lbs (kg) |
|--------------|------------|------------|------------|------------|------------|-------------|-------------|-----------|--------|-----------------|
| 2 (DN50) | 3.39 (86) | 1.97 (50) | 3.90 (99) | 6.14 (156) | 4.25 (108) | 9.21 (234) | 12.20 (310) | 1.81 (46) | F05 | 7.9 (3.6) |
| 2-1/2 (DN65) | 3.39 (86) | 2.56 (65) | 4.46 (113) | 6.14 (156) | 4.25 (108) | 9.21 (234) | 12.20 (310) | 1.93 (49) | F05 | 9.0 (4.1) |
| 3 (DN80) | 3.39 (86) | 3.15 (80) | 5.07 (129) | 6.14 (156) | 4.25 (108) | 9.21 (234) | 12.20 (310) | 1.93 (49) | F05 | 10.8 (4.9) |
| 4 (DN100) | 3.70 (94) | 3.94 (100) | 6.17 (157) | 8.27 (210) | 4.92 (125) | 10.20 (259) | 13.43 (341) | 2.19 (56) | F05/07 | 17.2 (7.8) |
| 6 (DN150) | 4.09 (104) | 5.91 (150) | 8.39 (213) | 9.06 (230) | 5.31 (135) | 11.50 (292) | 15.28 (388) | 2.31 (59) | F07 | 26.3 (11.9) |