

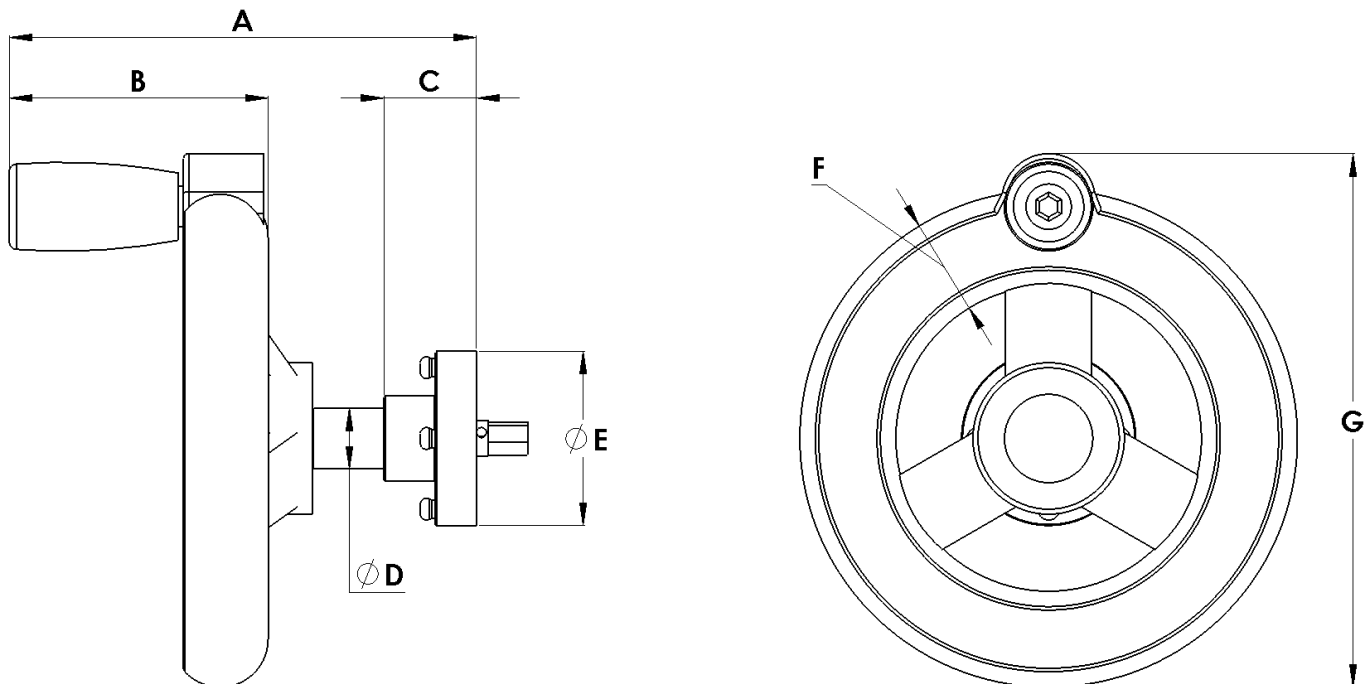
Features

- Plastic hand wheel control for ease of manual operation
- Fast mounting replaces existing manual override
- Captive mounting bolts and included gasket
- Embossed directional markings
- Steel input shaft



Specifications

Stock No.	Description
561891	Hand wheel gear operator for manual override of 5618 series electric actuators



Compatible Actuators		A*	B	C	D	E	F	G	Weight
561862A, 561865A, 561870A, 561871A, 561876A, 561877A	inch	3.6 / 3.4	2.0	0.7	0.5	1.4	0.7	4.3	0.35 lbs
	mm	92 / 86	51	18	12	34	19	108	0.16 kg

* Decreased dimension when in use