

Features

- Full port design for unrestricted flow
- Stainless hand lever with latch locking device
- Actuator ready ISO5211 direct mounting pad
- 316SS 2-piece investment casting body
- 316SS ball and stem
- RTFE (reinforced Teflon) ball seats
- Triple RTFE/Viton live loaded stem seals, adjustable
- Anti-static device
- Silicone free
- Valves tested per API 598

Applications

Stainless steel ball valves with RTFE/Viton seals are typically used for on-off control of water, air, oil, vacuum and other media compatible with the materials of construction. Valves can be direct mounted to air or electric actuators using the standard ISO5211 mounting pad, eliminating the need for extra mounting brackets and couplings. Suitable for vacuum service up to 29inHg.

Pressure-Temperature

Pressure Rating*: 1000 PSI (69 Bar) CWP non-shock, Vacuum 29inHg,
Saturated Steam 125 PSI

Temperature Rating: -4 to 356° F (-20 to 180°C)

*See P/T chart

Construction

Valve Body	316SS ASTM A351, CF8M
Ball	316SS CF8M
Stem	316SS
Ball Seats	RTFE (reinforced Teflon)
Stem Seals	RTFE, Viton
Hand Lever	304SS with vinyl cover
Belleville Washers/Adjust. Nut	304SS
Anti-static Device	Ball to Stem - (1/4" - 2") + Stem to Body (1-1/2" - 2")



Operation

Turning the hand lever one quarter-turn (90°) rotates the ball from closed to the open position. A latch locking device allows for pad locking the valve in either the open or closed position for safety lockout applications. The valve is actuator ready with standard ISO5211 mounting pad and square output shaft.

Description

Investment cast 2-piece full port stainless steel body/ball for unrestricted flow and minimum pressure loss. Adjustable live loaded stem seal packing helps compensate for wear, pressure or temperature fluctuations, extending the cycle life of the valve. Blow-out proof stem.

Options

- Air Actuators
- Electric Actuators

Specifications (English units)

Stock Number	Pipe Size (NPT)	Orifice Diam. (inch)	Cv	Pressure* (PSI)	Torque (inch lbs)	ISO5211 Mount	Weight (lbs)
551802	1/4	0.45	8	1000	45	F03/F05	1.0
551803	3/8	0.49	10	1000	45	F03/F05	1.0
551804	1/2	0.59	15	1000	45	F03/F05	1.0
551806	3/4	0.79	35	1000	59	F03/F05	1.8
551808	1	1.00	60	1000	123	F03/F05	2.1
551810	1-1/4	1.25	90	1000	145	F03/F05	3.4
551812	1-1/2	1.50	125	1000	176	F05/F07	5.0
551816	2	2.00	240	1000	272	F05/F07	7.0

Cv = The GPM of water at 60° F that will pass through the valve with 1 PSI pressure drop

* Pressure @ 0-100° F (reduced pressure at higher temperatures—see P/T chart)

• Torque values at 0 PSI and 75°F

Specifications (Metric units)

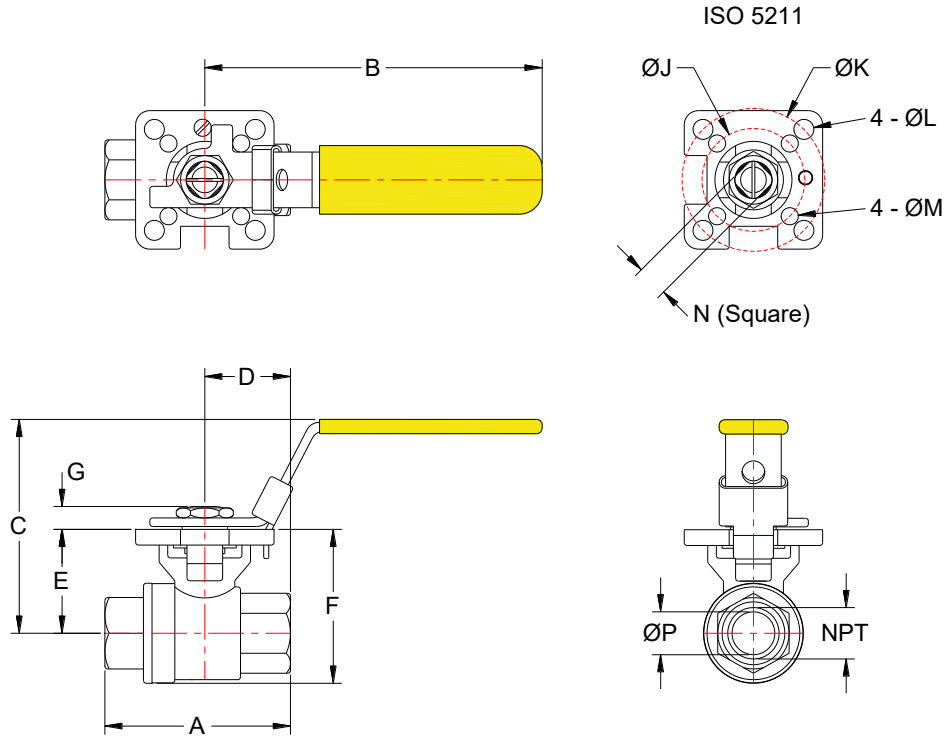
Stock Number	Pipe Size (NPT)	Orifice Diam. (mm)	Kv	Pressure* (Bar)	Torque (Nm)	ISO5211 Mount	Weight (Kg)
551802	1/4	11.5	7	69	5	F03/F05	0.46
551803	3/8	12.5	8.6	69	5	F03/F05	0.46
551804	1/2	15	13	69	5	F03/F05	0.44
551806	3/4	20	30	69	6.7	F03/F05	0.81
551808	1	25	52	69	13.9	F03/F05	0.96
551810	1-1/4	32	77	69	16.4	F03/F05	1.56
551812	1-1/2	38	107	69	19.9	F05/F07	2.30
551816	2	50	206	69	30.8	F05/F07	3.20

* Pressure range @ -18 to 38° C (reduced pressure at higher temperatures—see P/T chart)

Pressure/Temperature Chart

P/T Chart (PSI/°F)								
PSI	1000	1000	1000	950	875	750	375	100
°F	0	50	100	150	200	250	300	330
P/T Chart (BAR/°C)								
Bar	69	69	69	65.5	60	52	26	7
°C	-18	10	38	66	93	121	149	166

Dimensions:



Pipe NPT		A	B	C	D	E	F	G	J	K	L	M	N	P	ISO	Weight
1/4	inch	2.57	4.41	2.87	1.22	1.46	2.14	0.33	1.42	1.97	0.28	0.24	0.35	0.45	F03/F05	1.05 lb
	mm	65.3	112	72.9	31	37	54.3	8.5	36	50	7	6	9	11.5		0.48 kg
3/8	inch	2.57	4.41	2.87	1.22	1.46	2.14	0.33	1.42	1.97	0.28	0.24	0.35	0.49	F03/F05	1.00 lb
	mm	65.3	112	72.9	31	37	54.3	8.5	36	50	7	6	9	12.5		0.46 kg
1/2	inch	2.57	4.41	2.87	1.22	1.46	2.14	0.33	1.42	1.97	0.28	0.24	0.35	0.59	F03/F05	0.95 lb
	mm	65.3	112	72.9	31	37	54.3	8.5	36	50	7	6	9	15		0.42 kg
3/4	inch	3.04	4.41	3.22	1.52	1.77	2.64	0.33	1.42	1.97	0.28	0.24	0.35	0.79	F03/F05	1.40 lb
	mm	77.3	112	81.8	38.7	45	67.1	8.5	36	50	7	6	9	20		0.64 kg
1	inch	3.49	5.35	3.56	1.72	2.11	3.10	0.45	1.42	1.97	0.28	0.24	0.35	0.98	F03/F05	2.05 lb
	mm	88.7	136	90.5	43.8	53.5	78.8	11.4	36	50	7	6	9	25		0.94 kg
1-1/4	inch	4.03	7.28	3.86	2.00	2.32	3.60	0.45	1.42	1.97	0.28	0.24	0.35	1.26	F03/F05	3.35 lb
	mm	102	185	98	50.7	59	91.5	11.4	36	50	7	6	9	32		1.52 kg
1-1/2	inch	4.29	7.79	4.52	2.17	2.94	4.41	0.55	1.97	2.76	0.35	0.28	0.55	1.50	F05/F07	5.10 lb
	mm	109	198	115	55	74.8	112	14	50	70	9	7	14	38		2.30 kg
2	inch	4.93	7.79	4.88	2.41	3.29	5.12	0.54	1.97	2.76	0.35	0.28	0.55	1.97	F05/F07	7.15 lb
	mm	125	198	124	61.3	83.5	130	13.7	50	70	9	7	14	50		3.24 kg