

Features

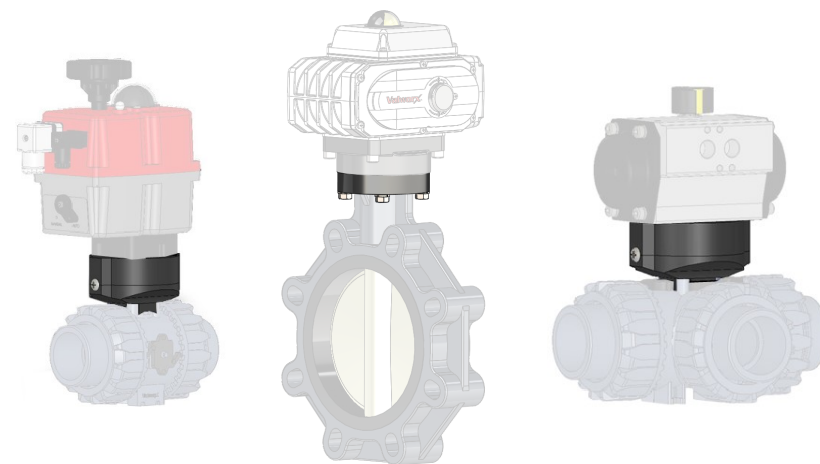
- Kits for easy electric or air actuator mounting
- Actuator mounting interface conforms to ISO5211
- Corrosion resistant PVC and stainless steel construction
- Additional kits for mounting PVC ball valves to a wall or panel



Applications

Valve/actuator kits are used to mount a Valworx PVC ball valve or butterfly valve to an electric or pneumatic actuator. The actuator mounting interface conforms to the international standard ISO5211.

Additional kits are also available for mounting PVC ball valves to a wall, base plate or panel.



Construction

Brackets	PVC
Drive Coupling	PVC with stainless steel square drive output
Fasteners	Stainless steel

Operation

Valve/actuator mounting kits are used to connect the ball valve to an actuator for automating the valve. Automating the valve will allow control of the fluid flow from a remote location using an electrical or pneumatic signal. The flow can then be turned on and off or modulated depending on the type of actuator selected. Wall/panel mounting brackets provide additional support for 2-way type ball valves.

Description

These high quality rugged valve/actuator mounting kits are designed for easy installation of a Valworx PVC ball or butterfly valve to an actuator. The square male output drive is made of stainless steel for additional strength and durability. Stainless steel fasteners are included with 1/2 to 2 inch sizes.

PVC wall/panel bracket mounts to the bottom of a 2-way 5510 series ball valve providing a method of mounting the valve to a wall or panel. This kit includes bracket, stainless steel screws, and press-in threaded inserts.

Specifications

Stock Number	Description	Valve Pipe Size (inch)	Used with Valve Series	ISO5211 Mounting Interface	Drive Coupler Square Output (mm)
PVC VALVE/ACTUATOR MOUNTING KITS FOR 5510/5514 SERIES BALL VALVES					
551208	PVC Valve/Actuator Mounting Kit 1/2"	1/2	5510/5514	F03/ F04	11
551208A*	PVC Valve/Actuator Mounting Kit 1/2"	1/2	5510	F03/ F04/ F05	11
551212	PVC Valve/Actuator Mounting Kit 3/4"	3/4	5510/5514	F03/ F05	11
551216	PVC Valve/Actuator Mounting Kit 1"	1	5510/5514	F03/ F05	11
551220	PVC Valve/Actuator Mounting Kit 1-1/4"	1-1/4	5510/5514	F05/ F07	11
551221	PVC Valve/Actuator Mounting Kit 1-1/4"	1-1/4	5510/5514	F05/ F07	14
551224	PVC Valve/Actuator Mounting Kit 1-1/2"	1-1/2	5510/5514	F05/ F07	11
551225	PVC Valve/Actuator Mounting Kit 1-1/2"	1-1/2	5510/5514	F05/ F07	14
551232	PVC Valve/Actuator Mounting Kit 2"	2	5510/5514	F05/ F07	11
551233	PVC Valve/Actuator Mounting Kit 2"	2	5510/5514	F05/ F07	14
551248	PVC Valve/Actuator Mounting Kit 2-1/2 to 4"	2-1/2 to 4	5510	F07	-
PVC ACTUATOR MOUNTING KITS FOR 5402 SERIES BUTTERFLY VALVES					
551248	PVC Valve/Actuator Mounting Kit 3 to 6"	3, 4, 6	5402	F07	-
551249	PVC Valve/Actuator Mounting Kit 8"	8	5402	F10	-
WALL/PANEL MOUNTING KITS FOR 5510 SERIES BALL VALVES					
551250	PVC Valve Wall/Panel Mounting Kit 1/2 to 1"	1/2 to 1	5510	-	-
551251	PVC Valve Wall/Panel Mounting Kit 1-1/4 to 2"	1-1/4 to 2	5510	-	-

Note: Valve/actuator kits includes bracket, drive coupling and mounting hardware (except 551248 & 551249, these parts are spacer mounting plates only, no drive coupling required, no fasteners). The 5510 series valves are 2-way valves. The 5514 series valves are 3-way valves. ISO5211 is the international standard interface for mounting valves to actuators.

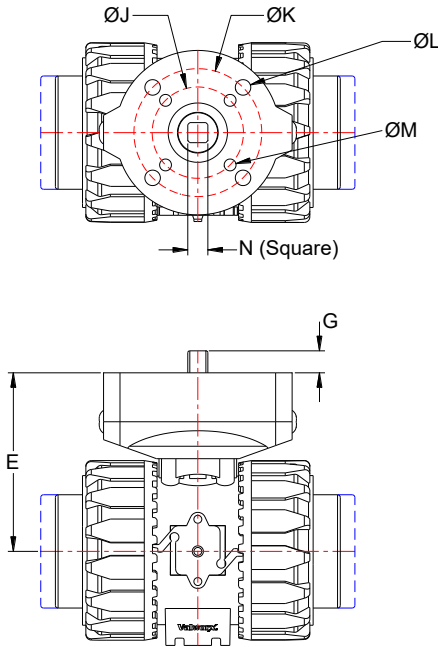
*551208A mounting is used only on the 1/2" 5618 series DC EPS model.

Wall/Panel Mounting Kit

PVC bracket mounts to the bottom of a 5510 series 2-way ball valve. Kit includes bracket, stainless screws and press-in threaded inserts.

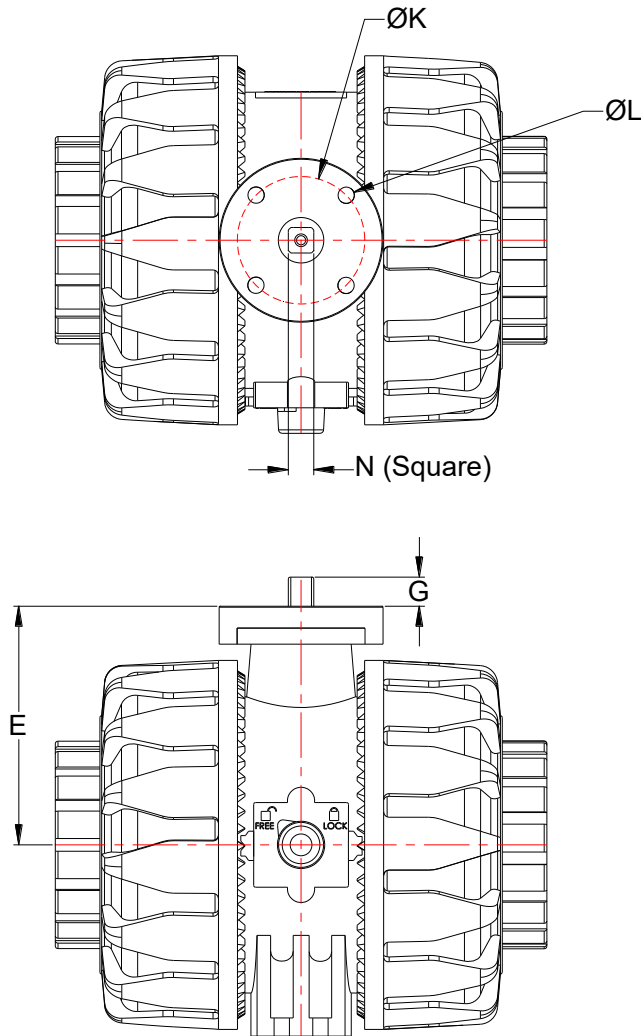


Dimensions: 2-way Valves 1/2 to 2 inch Sizes



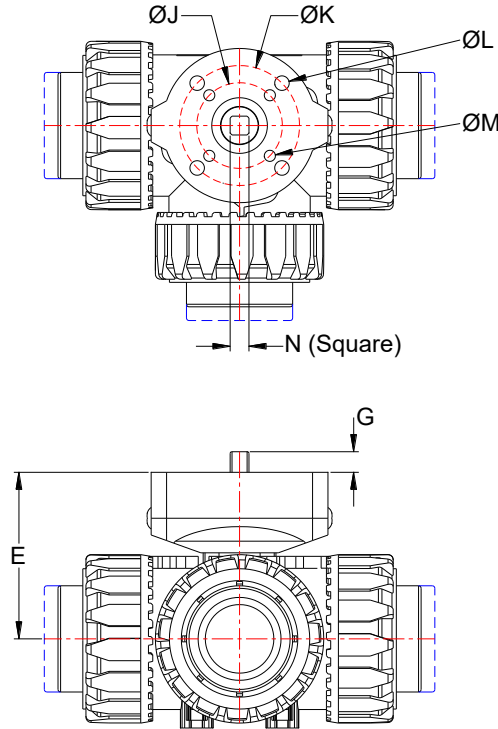
Stock Number	Pipe Size		E	G	J	K	L	M	N	ISO5211
551208	1/2	inch	2.28	0.47	1.42	1.65	0.22	0.22	0.43	F03/ F04
		mm	58	12	36	42	5.6	5.6	11	
551208A	1/2	inch	2.52	0.47	1.42	1.65	0.22	0.22	0.43	F03/F04/F05
		mm	64	12	36	42	5.6	5.6	11	
551212	3/4	inch	2.89	0.47	1.42	1.97	0.22	0.26	0.43	F03/ F05
		mm	73.4	12	36	50	5.6	6.6	11	
551216	1	inch	2.91	0.47	1.42	1.97	0.22	0.26	0.43	F03/ F05
		mm	74	12	36	50	5.6	6.6	11	
551220	1-1/4	inch	3.82	0.47	1.97	2.76	0.26	0.33	0.43	F05/ F07
mm		97	12	50	70	6.6	8.4	11		
551221	1-1/4	inch	3.82	0.63	1.97	2.76	0.26	0.33	0.55	F05/ F07
mm		97	16	50	70	6.6	8.4	14		
551224	1-1/2	inch	4.09	0.47	1.97	2.76	0.26	0.33	0.43	F05/ F07
mm		104	12	50	70	6.6	8.4	11		
551225	1-1/2	inch	4.09	0.63	1.97	2.76	0.26	0.33	0.55	F05/ F07
mm		104	16	50	70	6.6	8.4	14		
551232	2	inch	4.49	0.47	1.97	2.76	0.26	0.33	0.43	F05/ F07
mm		114	12	50	70	6.6	8.4	11		
551233	2	inch	4.49	0.63	1.97	2.76	0.26	0.33	0.55	F05/ F07
mm		114	16	50	70	6.6	8.4	14		

Dimensions: 2-way Valves 2-1/2 to 4 inch Sizes



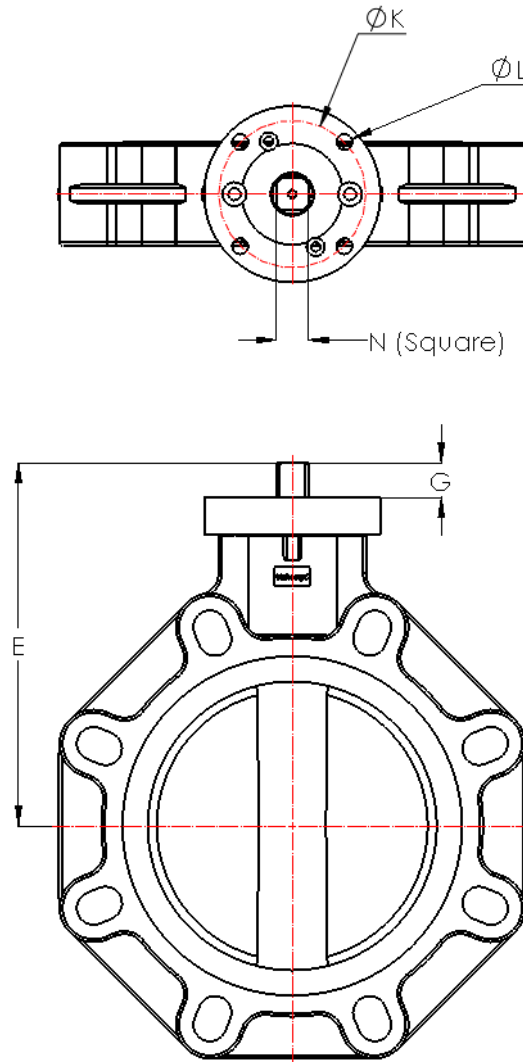
Stock Number	Pipe Size		E	G	K	L	N	ISO5211
551248	2-1/2	inch	4.80	0.63	2.76	0.35	0.55	F07
		mm	122	16	70	9	14	
	3	inch	5.12	0.63	2.76	0.35	0.55	F07
		mm	130	16	70	9	14	
	4	inch	5.87	0.75	2.76	0.35	0.67	F07
		mm	149	19	70	9	17	

Dimensions: 3-way Valves 1/2 to 2 inch Sizes



Stock Number	Pipe Size		E	G	J	K	L	M	N	ISO5211
551208	1/2	inch	2.28	0.47	1.42	1.65	0.22	0.22	0.43	F03/F04
		mm	58	12	36	42	5.6	5.6	11	
551212	3/4	inch	2.89	0.47	1.42	1.97	0.22	0.26	0.43	F03/F05
		mm	73.4	12	36	50	5.6	6.6	11	
551216	1	inch	2.91	0.47	1.42	1.97	0.22	0.26	0.43	F03/F05
		mm	74	12	36	50	5.6	6.6	11	
551220	1-1/4	inch	3.82	0.47	1.97	2.76	0.26	0.33	0.43	F05/F07
mm		97	12	50	70	6.6	8.4	11		
551221		inch	3.82	0.63	1.97	2.76	0.26	0.33	0.55	F05/F07
		mm	97	16	50	70	6.6	8.4	14	
551224	1-1/2	inch	4.09	0.47	1.97	2.76	0.26	0.33	0.43	F05/F07
mm		104	12	50	70	6.6	8.4	11		
551225		inch	4.09	0.63	1.97	2.76	0.26	0.33	0.55	F05/F07
		mm	104	16	50	70	6.6	8.4	14	
551232	2	inch	4.49	0.47	1.97	2.76	0.26	0.33	0.43	F05/F07
mm		114	12	50	70	6.6	8.4	11		
551233		inch	4.49	0.63	1.97	2.76	0.26	0.33	0.55	F05/F07
		mm	114	16	50	70	6.6	8.4	14	

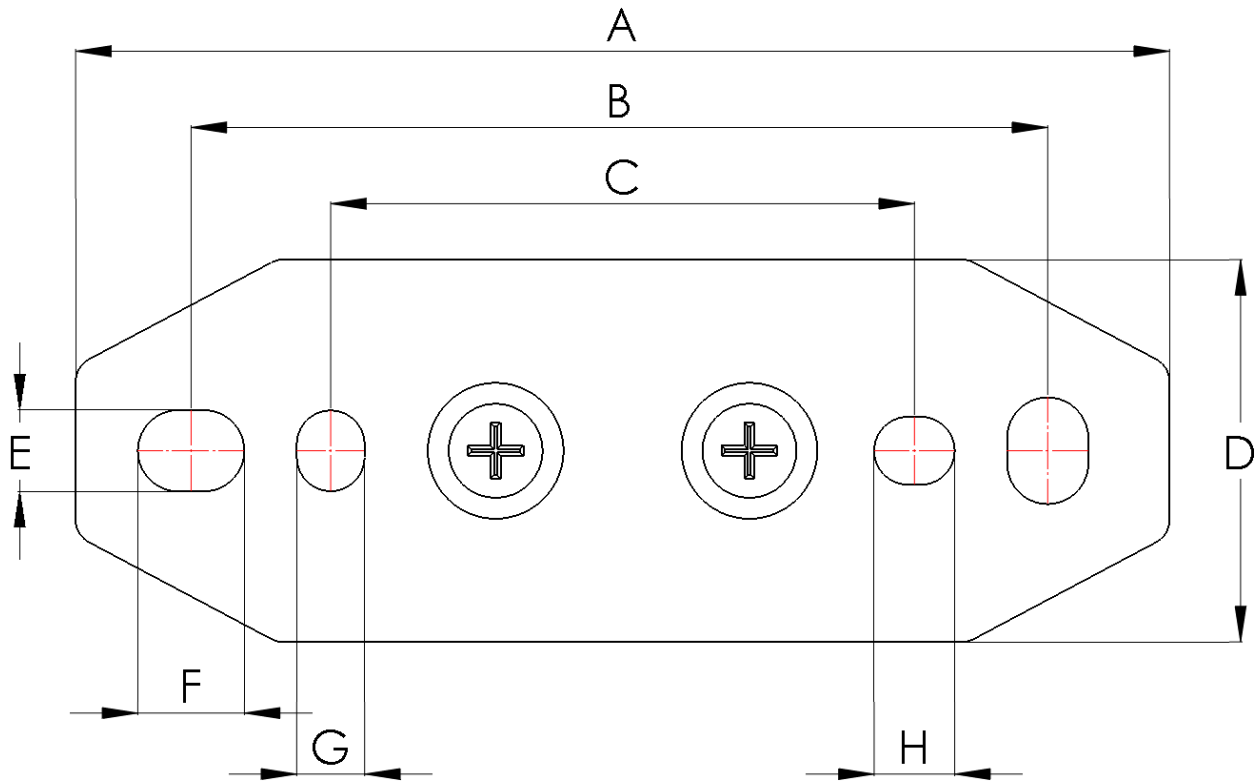
Dimensions: Butterfly Valve - 3 to 8 inch sizes



Adapter Plate Stock Number	Pipe Size		E	G	K	L	N	ISO5211
551248	3	inch	5.51	0.63	2.76	0.35	0.55	F07
		mm	140	16	70	9	14	
551248	4	inch	6.46	0.63	2.76	0.35	0.55	F07
		mm	164	16	70	9	14	
551248	6	inch	7.87	0.79	2.76	0.35	0.67	F07
		mm	200	20	70	9	17	
551249	8	inch	9.92	0.94	4.02	0.43	0.87	F10
		mm	252	24	102	11	22	

*See Data Sheet 5402 for detailed valve dimensions

Dimensions: 2-Way PVC Ball Valve Wall/Panel Mounting Kits



Stock Number	Valve Size		A	B	C	D	E	F	G	H
551250	1/2 to 1 Inch Pipe Sizes	inch	3.39	2.66	1.81	1.18	0.25	0.33	0.21	0.25
		mm	86	67.5	46	30	6.4	8.4	5.4	6.4
551251	1-1/4 to 2 Inch Pipe Sizes	inch	4.80	4.13	2.87	1.18	0.26	0.34	0.26	0.28
		mm	122	105	73	30	6.7	8.7	6.5	7.2