

Features

- Wafer butterfly valve with ISO5211 direct mount actuator
- Industrial grade PVC body with Polypropylene (PP) disc
- 316 Stainless Steel shaft
- Actuator designed for extended cycle life (1 million cycles)
- Rugged rack and pinion design
- Highly visible valve position indicator
- Dry or lubricated pilot air supply
- Factory lubricated for normal life
- Anodized aluminum body with epoxy-polyester end covers
- ANSI/ISO valve mounting standards

Applications

PVC body valves with EPDM seals are typically used for on-off control of water and other media compatible with the materials of construction. NSF approved material for use in conditions requiring potable water. Available in either failsafe spring return or double acting designs. Multi-standard alignment holes, suitable for ISO or ANSI flanges.

PVC butterfly valves should never be used for compressed gas applications.

Temperature Range

Actuator Temperature Rating: -4 to 180° F (-18 to 82° C)

Valve Temperature Rating: 40 to 140° F (-30 to 60°C)

* See P/T chart (page 2)

Description

Direct mount butterfly valve with PVC wafer body are designed for commercial and industrial applications. Valve mounts between two standard ANSI/ISO Class 150 flanges. Integral molded EPDM flange gaskets. Disc is Polypropylene.

Construction

Valve Body	PVC (dark gray)
Disc	PP (Polypropylene)
Primary Liner	EPDM
Stem	316 SS
Stem Seals	EPDM
Shaft O-Rings/Anti Friction Rings	EPDM/PTFE
Actuator Body/End Covers	Hard anodized aluminum/Polyester coated aluminum
Valve Position Indicator	Glass filled Polyamide
Fasteners	Stainless Steel
Actuator Seals	NBR



Operation

Spring return valves use a pilot air pressure signal to open the valve and springs (failsafe) to close the valve when exhausting of the pilot signal. Double acting valves use air pressure to open the valve and air pressure to close the valve.

Approvals

- NSF International certified to:
 - NSF/ANSI 372 Drinking Water
 - NSF/ANSI 61 G
 - ANSI B16.5



- Disc PP Type 1 homopolymer per ASTM D4101

Options

- Namur direct mount pilot solenoid valves
- Limit switch/Visual valve position indicator
- Pneumatic valve positioners with 4-20mA or 3-15 PSI inputs

Specifications (English units)

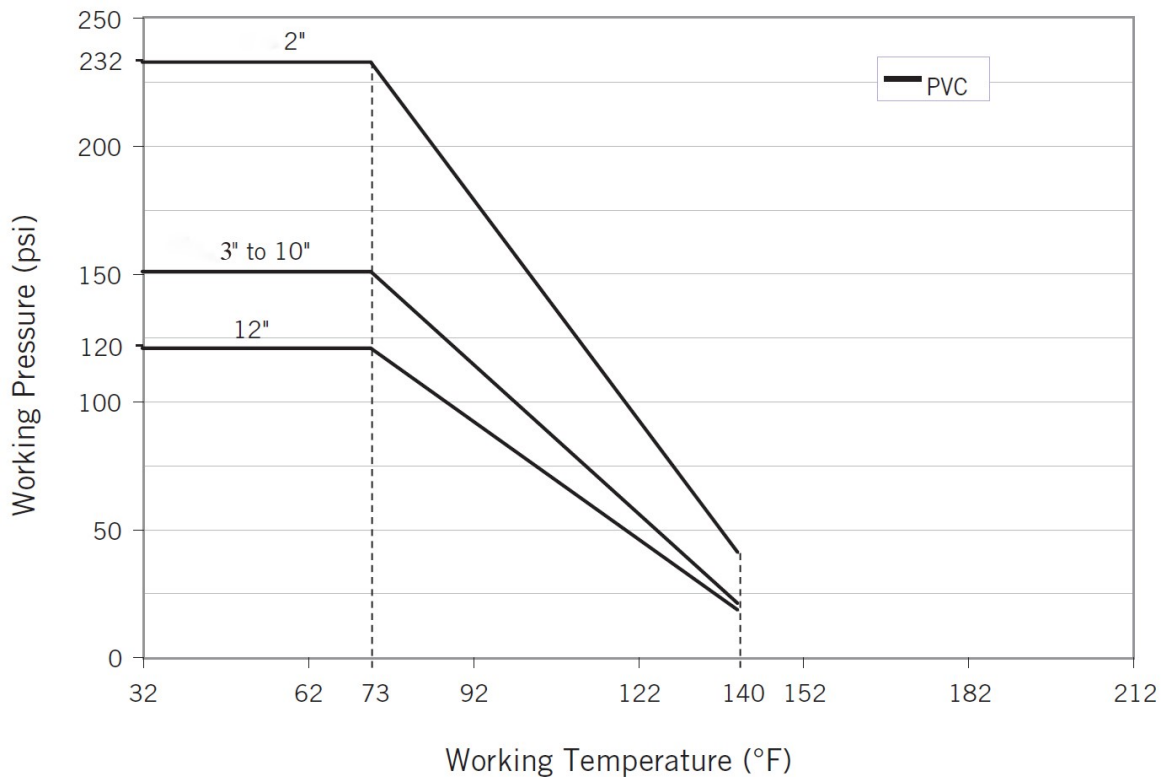
Stock	Pipe Size	Disc Diam.	Cv Flow	Pressure	Fluid Media**	Cycle Time/90°	Air Pilot Pressure
Wafer Body EPDM Seals: SPRING RETURN							
540402	2	1.97	90	232	Water	1	80-120
540404	3	3.15	249	150	Water	1 - 1.5	80-120
540406	4	3.94	413	150	Water	1 - 1.5	80-120
540408	6	5.91	1309	150	Water	1.5 - 2.5	80-120
540410	8	7.87	2135	150	Water	1.5 - 2	80-120
Wafer Body EPDM Seals: DOUBLE ACTING							
540302	2	1.97	90	232	Water	.5	80-120
540304	3	3.15	249	150	Water	.5-1	80-120
540306	4	3.94	413	150	Water	.5-1	80-120
540308	6	5.91	1309	150	Water	.5-1	80-120
540310	8	7.87	2135	150	Water	1	80-120

Cv is the GPM of water at 60° F that will pass through the valve with 1 PSI pressure drop

* See P/T Chart below for more detail

** Consult compatibility chart for other fluid media.

Pressure Temperature Chart



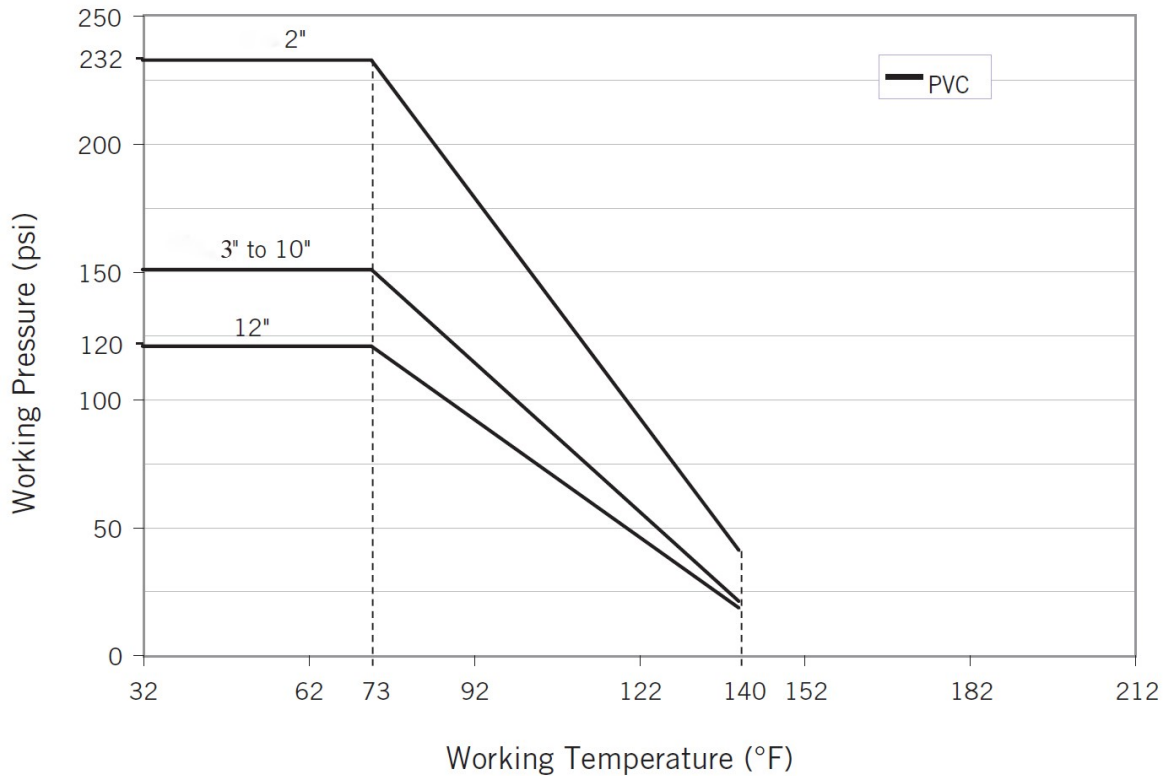
Stock	Pipe Size	Disc Diam.	Kv Flow	Pressure	Fluid Media**	Cycle Time/90°	Air Pilot Pressure
Wafer Body EPDM Seals: SPRING RETURN							
540402	50	50	78	16	Water	1	5.5 - 8
540404	80	80	215	10	Water	1 - 1.5	5.5 - 8
540406	100	100	357	10	Water	1 - 1.5	5.5 - 8
540408	150	150	1132	10	Water	1.5 - 2.5	5.5 - 8
540410	200	200	1847	10	Water	1.5 - 2	5.5 - 8
Wafer Body EPDM Seals: DOUBLE ACTING							
540302	50	50	78	16	Water	.5	5.5 - 8
540304	80	80	215	10	Water	.5-1	5.5 - 8
540306	100	100	357	10	Water	.5-1	5.5 - 8
540308	150	150	1132	10	Water	.5-1	5.5 - 8
540310	200	200	1847	10	Water	1	5.5 - 8

Kv= The number of m³ per hour of 20° C water at 1 bar pressure drop

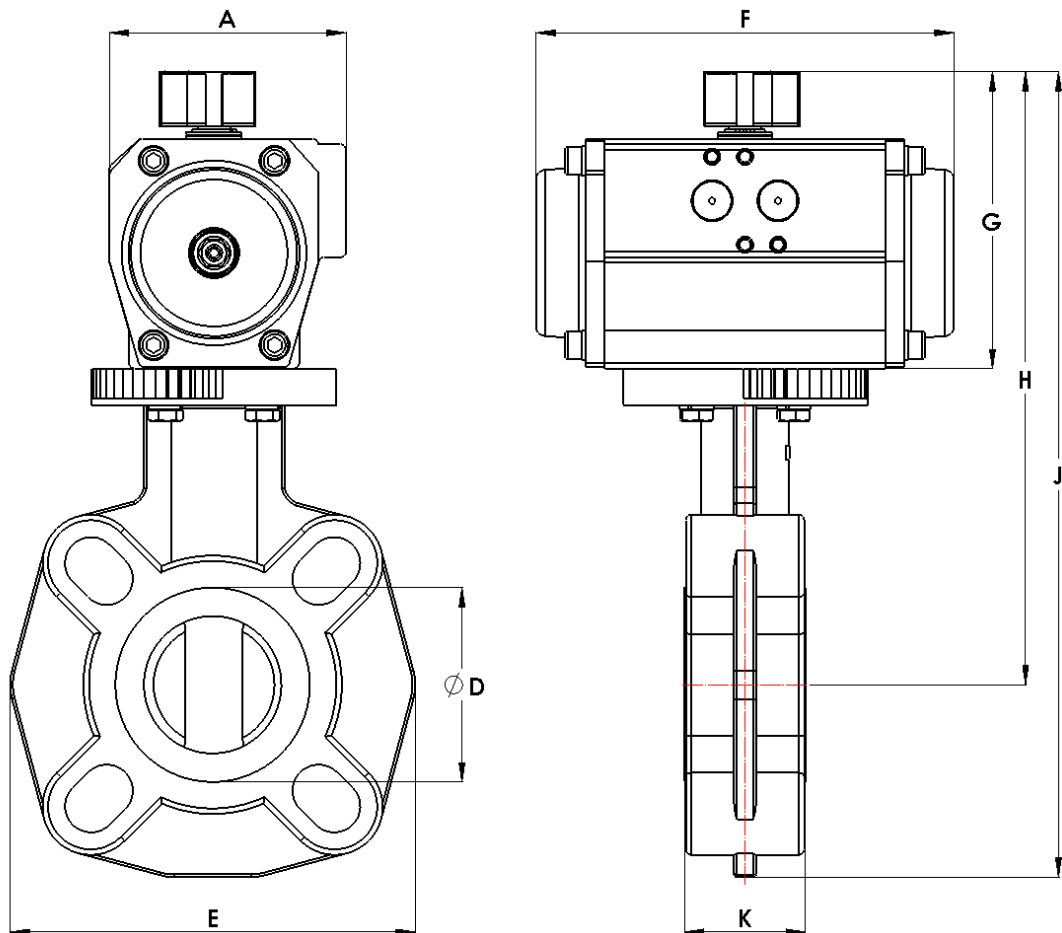
* See P/T Chart below for more detail

** Consult compatibility chart for other fluid media

Pressure Temperature Chart



Dimensions 2" to 8" Sizes



Spring Return Dimensions: inches (mm)

Pipe Size	A	D	E	F	G	H	J	K	Weight lbs (kg)
2 (DN50)	3.39 (86)	1.97 (50)	5.80 (147)	21.73 (152)	4.25 (108)	8.78 (223)	11.54 (293)	1.81 (46)	5.9 (2.7)
3 (DN80)	4.09 (104)	3.15 (80)	7.30 (185)	9.06 (230)	5.31 (135)	10.55 (268)	14.21 (361)	1.93 (49)	14.0 (6.4)
4 (DN100)	4.72 (120)	3.94 (100)	8.31 (211)	10.83 (275)	5.94 (151)	11.77 (299)	15.94 (405)	2.19 (56)	19.0 (8.6)
6 (DN150)	5.55 (141)	5.91 (150)	5.91 (150)	14.05 (357)	7.28 (185)	14.37 (365)	19.61 (498)	2.31 (59)	38.9 (13.6)
8 (DN200)	6.54 (166)	7.87 (200)	12.7 (323)	15.43 (392)	8.07 (205)	17.05 (433)	23.39 (594)	2.80 (71)	56.0 (25.4)

Double Acting Dimensions: inches (mm)

Pipe Size	A	D	E	F	G	H	J	K	Weight lbs (kg)
2 (DN50)	3.39 (86)	1.97 (50)	5.80 (147)	21.73 (152)	4.25 (108)	8.78 (223)	11.54 (293)	1.81 (46)	5.3 (1.0)
3 (DN80)	3.70 (94)	3.15 (80)	7.30 (185)	8.27 (210)	3.94 (100)	10.16 (258)	13.82 (351)	1.93 (49)	10.0 (4.5)
4 (DN100)	3.70 (94)	3.94 (100)	8.31 (211)	8.27 (210)	3.94 (100)	10.75 (273)	14.92 (379)	2.19 (56)	10.8 (4.9)
6 (DN150)	4.72 (120)	5.91 (150)	5.91 (150)	10.83 (275)	5.94 (151)	13.03 (331)	18.27 (464)	2.31 (59)	21.0 (9.5)
8 (DN200)	5.28 (134)	7.87 (200)	12.7 (323)	12.17 (309)	6.77 (172)	15.75 (400)	22.09 (561)	2.80 (71)	34.9 (15.8)