

Features

- Valve positioners for 4-20mA or 3-15 PSI input
- Rugged aluminum housing with anti-corrosion protection
- Linearity +/- 1.5 %
- Rotation 90° clockwise or counter-clockwise
- Direct drive output shaft—no linkages
- Stainless steel gauge(s)
- Visual valve position indicator
- Universal Namur mounting bracket included

Applications

Pneumatic positioners are used with rotary air actuators to accurately position control valves used in throttling applications. Valworx positioners offer fast and accurate control of ball valves, butterfly valves and other type valves. Suitable for use with Valworx double acting or spring return air actuated valves, as well as most other brands utilizing the standard Namur mount.

Operation

Pneumatic positioners convert either a 4-20mA or 3-15 PSI input control signal to a proportional pneumatic output. This output is fed to an air actuator which in turn controls the valve position and flow (combined with mechanical position feedback). Fast and accurate response times from input change to valve movement. Easily adjustable zero and span if required. Positioner can be setup to rotate output shaft clockwise or counter-clockwise 90 degrees. Easily convertible from spring return to double acting or vice versa.

Description

Rugged aluminum die cast housing has superior anti-corrosion surface treatment and an easy read visual valve position indicator. Visual valve position indicator located on the top of the positioner. Gauges provided for pressure monitoring. These positioners direct mount to rotary type air actuators with the standard VDI / VDE-3845 Namur style top shaft mounting. Universal Namur painted steel mounting bracket kit is included with each positioner.

Electro-Pneumatic 4-20mA



Pneumatic 3-15 PSI



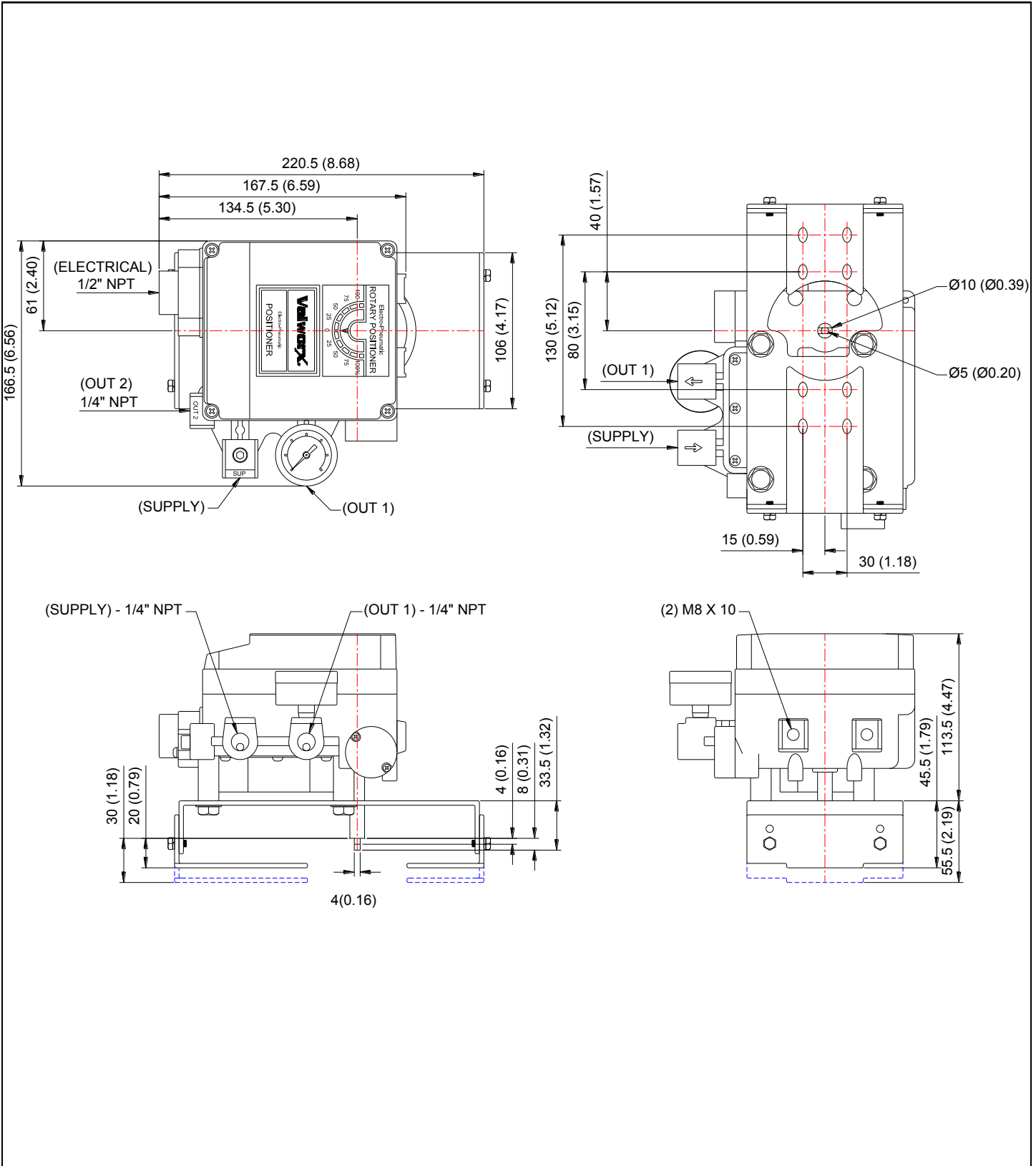
Accessories

Filter/Regulators - Used to filter the incoming air and set/maintain a constant inlet pressure.

Specifications

STOCK NO.	529960A	529962A
Type	Electro-Pneumatic	Pneumatic-Pneumatic
Rotation	0-90°	0-90°
Input Signal	4-20mA DC	3-15 PSI
Impedance	250 +/-15 ohms	-
Supply Pressure	20-100 PSI	20-100 PSI
Flow Capacity	2.8 SCFM @ 20 PSI	2.8 SCFM @ 20 PSI
Air Consumption	0.10 SCFM @ 20 PSI	0.10 SCFM @ 20 PSI
Linearity	+/- 1.5% F.S.	+/- 1.5% F.S.
Hysteresis	+/- 1.5% F.S.	+/- 1.5% F.S.
Sensitivity	+/- 0.4% F.S.	+/- 0.4% F.S.
Repeatability	+/- 0.5% F.S.	+/- 0.5% F.S.
Air Connections	1/4" NPT	1/4" NPT
Pressure Gauge	(1) Stainless, 1/8" NPT	(3) Stainless, 1/8" NPT
Electrical Connection	1/2" NPT Conduit	-
Enclosure	Aluminum die-cast	Aluminum die-cast
Enclosure Rating	IP66 weatherproof, General Purpose	IP66 weatherproof, General Purpose
Ambient Temperature	-4 to 158 degree F	-4 to 158 degree F
Mounting Bracket	Namur 80x30x20mm, 80x30x30mm, 130x30x30mm	Namur 80x30x20mm, 80x30x30mm, 130x30x30mm
Weight	6.0 lbs	3.7 lbs

Electro-Pneumatic Positioner Dimensions: mm (inches)



Pneumatic Positioner Dimensions: mm (inches)

