

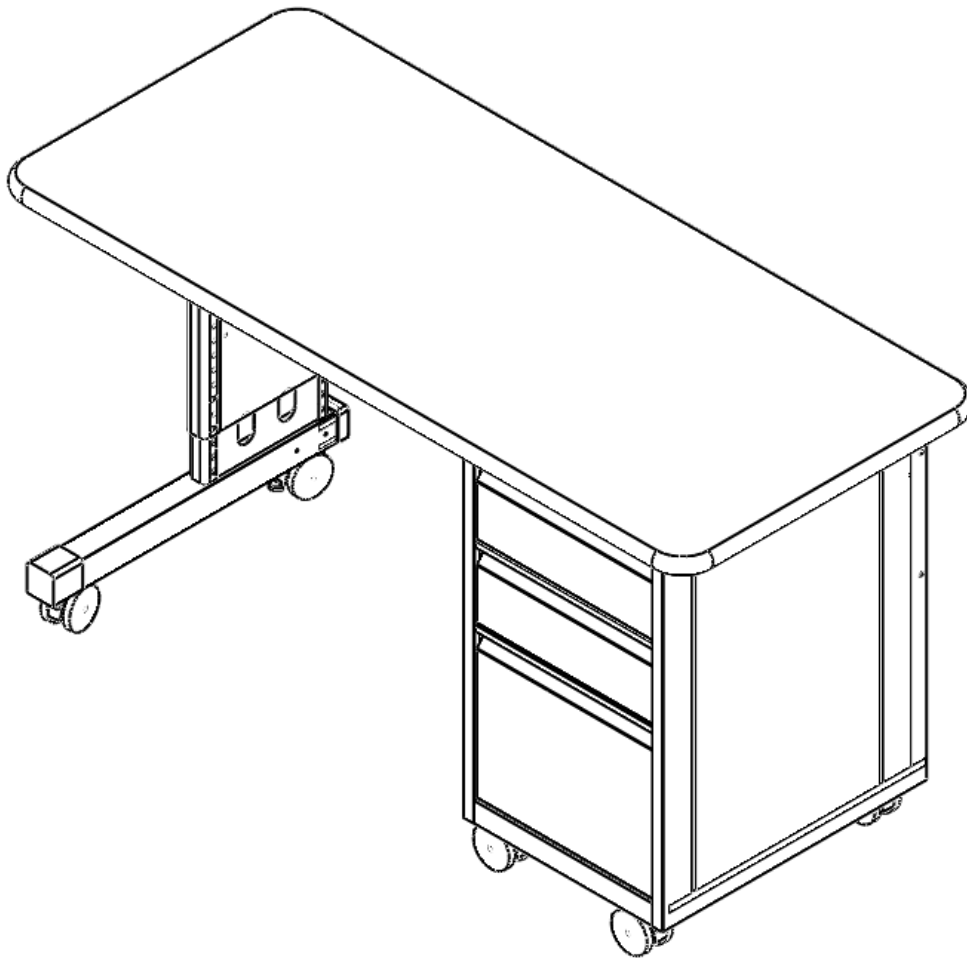


# SMITH SYSTEM

Furniture for inspired learning.

## Cascade Teacher Desk

### Single Cabinet Models



If you have damaged or missing components, please contact customer service.

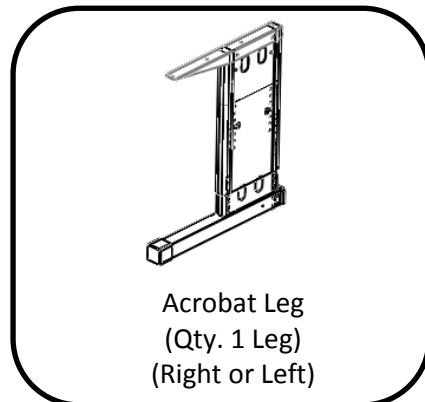
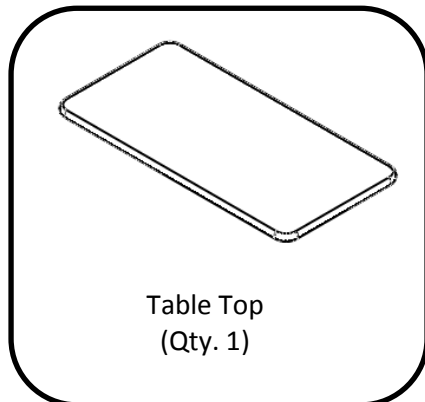
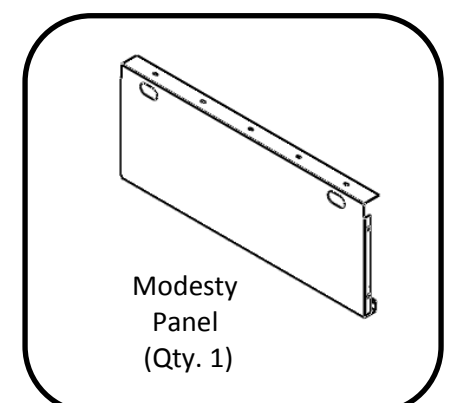
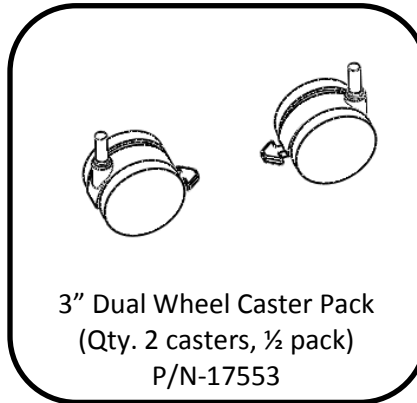
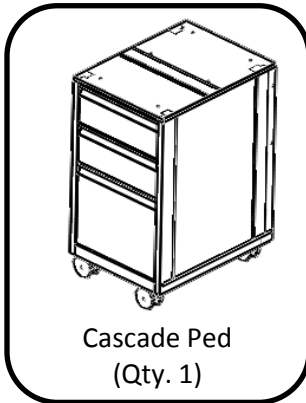
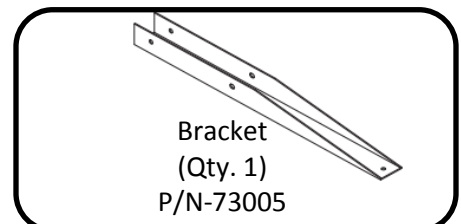
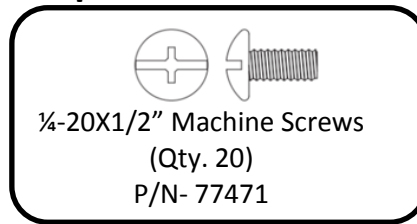
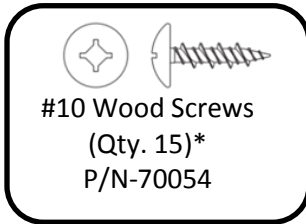
800-328-1061

Form# 179953

[www.smithsystem.com](http://www.smithsystem.com)

02/2013

## Components and Hardware



\*Our Cascade Teacher Desks come in different lengths, so hardware and screw hole placement will vary. If you feel you have not received all the necessary hardware, please call us at 800-328-1061.

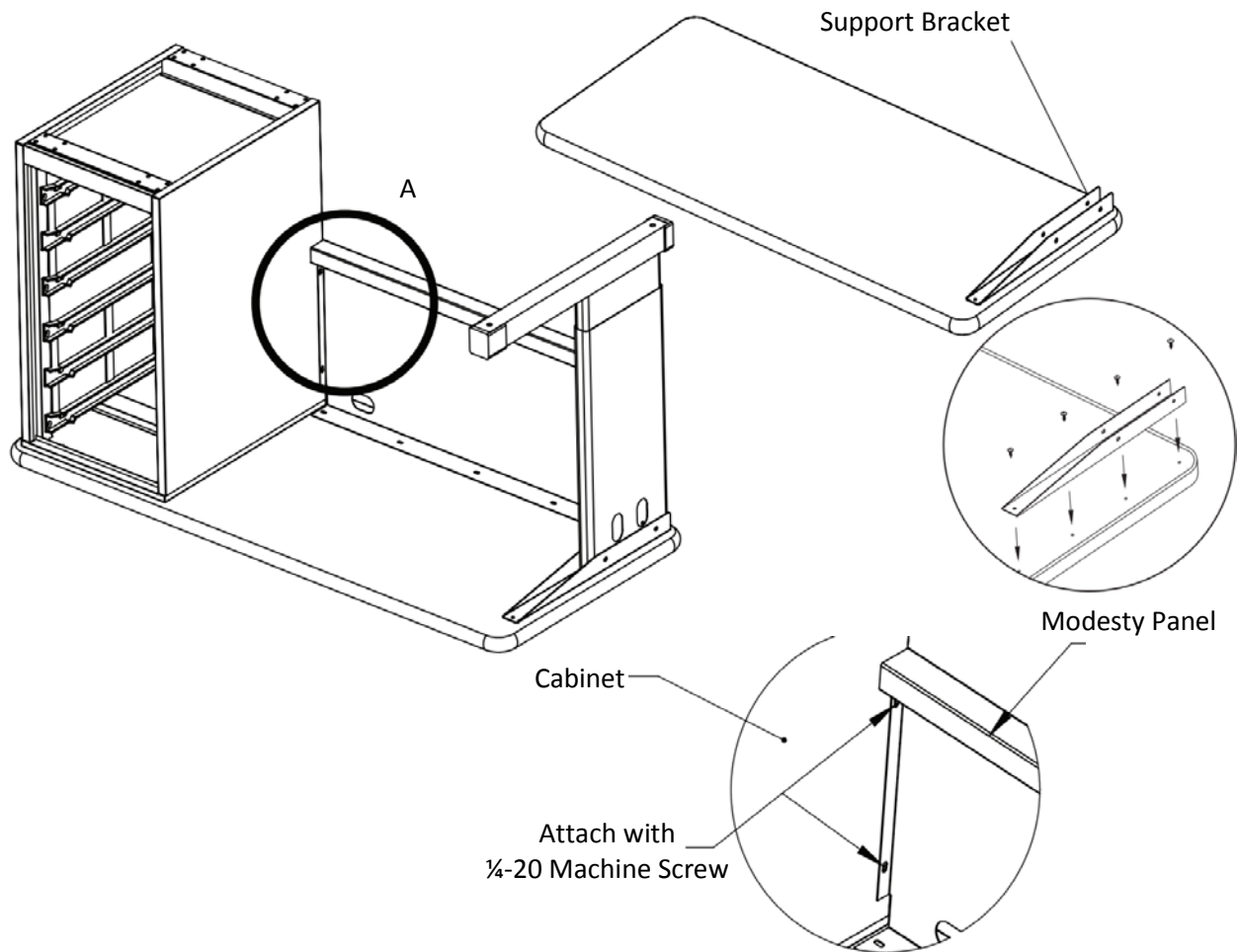
Replacement Pack 69755 Includes:

- (16) 77471- 1/4-20X1/2" Combo Drive Machine Screw
- (8) 70226- 10-32X.5" Machine Screw
- (2) 77482-Tinnerman Clips
- (16) 70054- SM Screw #10X.75 HI/LO PTH

If you have damaged or missing components, please contact customer service.

800-328-1061

Step 1: Lay the top upside down, with the cut of the T-mold at the back and make sure the Laminate is Face Down and the pre-drilled holes are facing upwards. Attach the leg support bracket with the supplied wood screws.



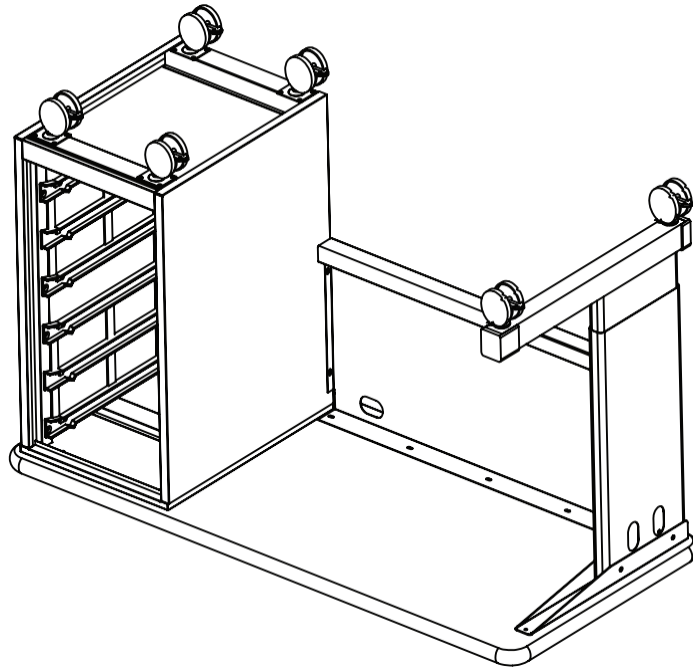
Step 2: Remove the Ped, leg, and panel from their cartons and remove the Drawers or the totes from the cabinet. Place the Ped upside down on the top to gain access to the holes in the top plate. After adjusting the leg height to show three clear holes, attach the leg to the support bracket using 1/4-20 machine screws. Align the modesty panel with the ped and leg and attach loosely using 1/4-20 machine screws.

If you have damaged or missing components, please contact customer service.

800-328-1061

Step 3: Secure the Drawer ped on to the work surface. Align the holes on the drawer ped with the pre-drilled holes on the work surface. Once the ped is attached fully tighten the machine screws fastening the modesty panel.

Step 4: Now, attach the plate casters to the cabinet using the supplied screws. Next, thread in the stem caster to the leg.

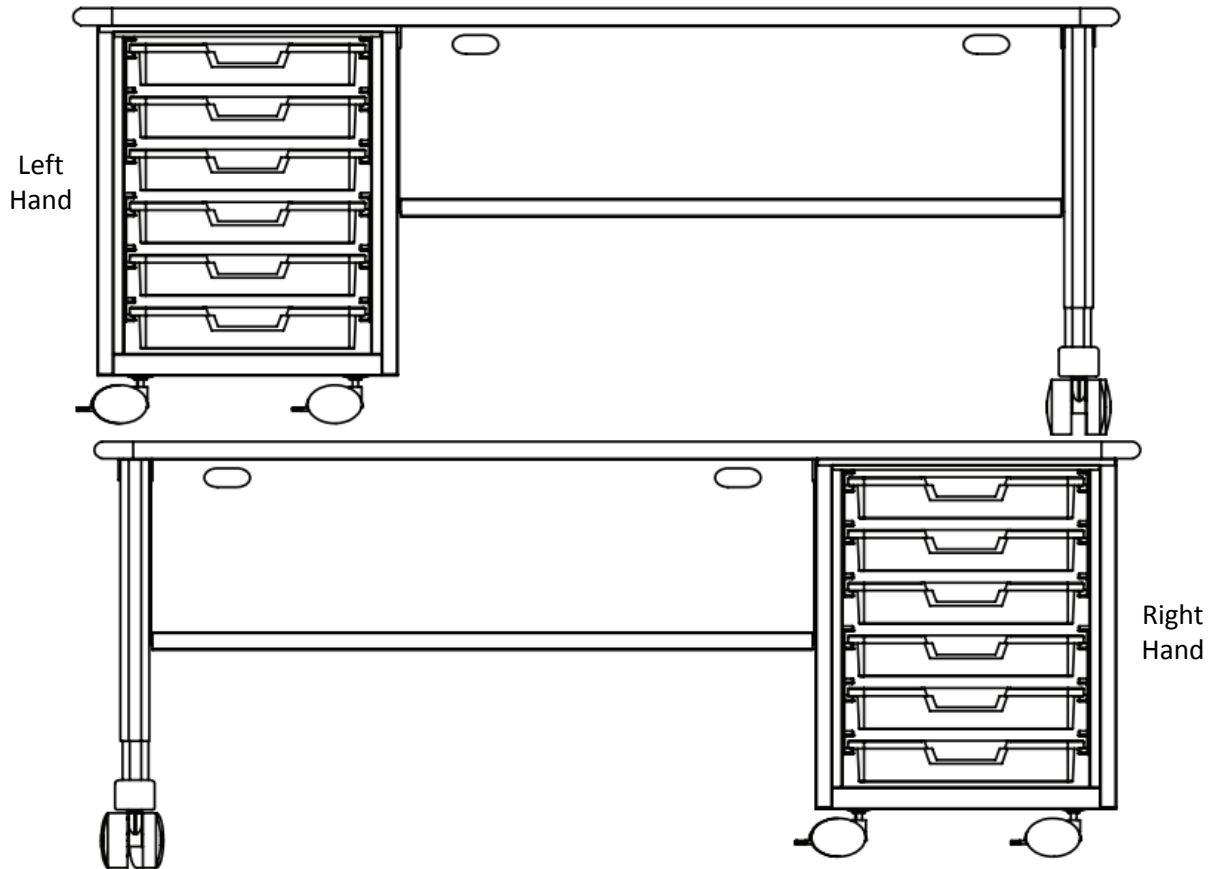


Step 5: Place the Unit upright.

If you have damaged or missing components, please contact customer service.

800-328-1061

Step 6: (For Box-Box-File) Put the drawers back into the peds. **FIRST MAKE SURE THE KEY IS TURNED IN THE UNLOCKED POSITION** then put the drawers back in place (**if the drawers are not re-assembled with the key turned in the unlocked position, the locking mechanism will malfunction**). Test the key to make sure the locking mechanism works before completion; do this after putting each drawer into place. If the lock does not work, remove the drawers, unlock, and repeat step 6.



If you have damaged or missing components, please contact customer service.

800-328-1061

Form# 179953

[www.smithsystem.com](http://www.smithsystem.com)

02/2013