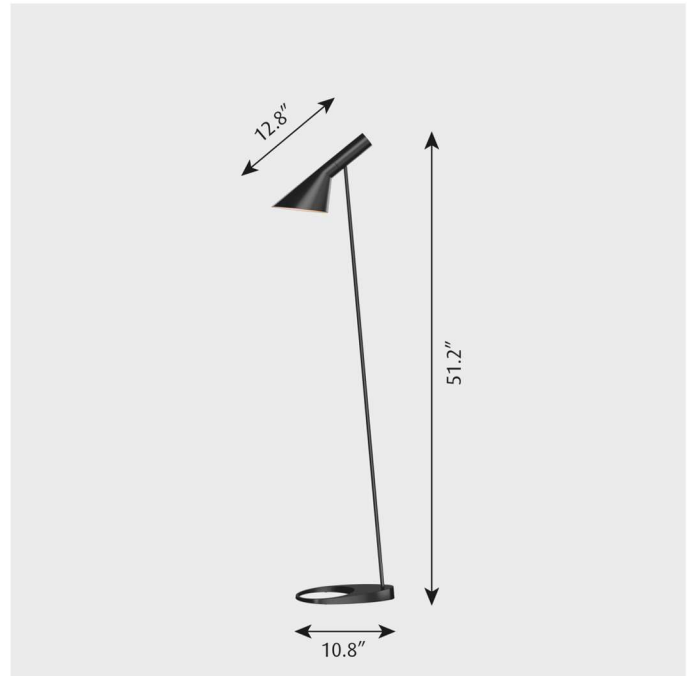


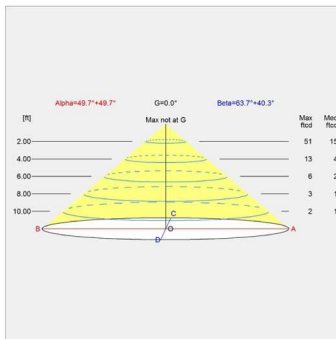
AJ Floor

1/3

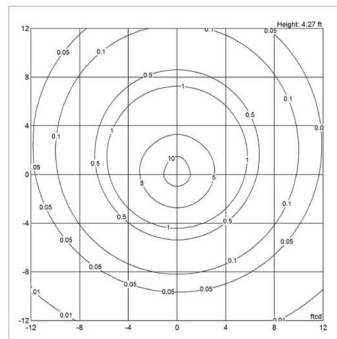


Light distribution diagrams

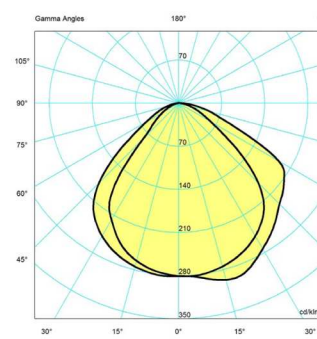
Cartesian



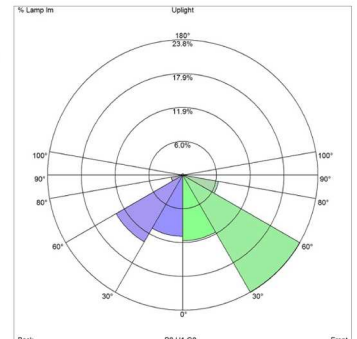
Isolux



Polar



Bug



Variant options

Light source	Voltage frequency	Color	Cable type
1/15W LED/A-19/medium	120V	<input checked="" type="radio"/> Aubergine	BLK
		<input type="radio"/> Black	WHT
		<input type="radio"/> Dark green	
		<input type="radio"/> Dark grey	
		<input type="radio"/> Light grey	
		<input type="radio"/> Midnight blue	
		<input type="radio"/> Pale petroleum	
		<input type="radio"/> Rusty red	
		<input type="radio"/> Wht	
		<input type="radio"/> Yellow ochr	

Product description

Terse and iconic design

A semi-conical fixture head.

An arm fixed to a round mounting box holds the fixture head.

Fixture head pivots to direct light as needed.

Different colour variants.

Is a member of a product family for both outdoor and indoor

Portable fixture plugs into standard wall outlet.

Design

Arne Jacobsen

Weight

Min: 7.685 lbs Max: 7.688 lbs

Voltage

120V

Light description

The fixture emits glare free, directed light.

Combined direct and indirect light ensures directed light with soft shadows

The shade is painted white on the inside to ensure a soft comfortable light distribution.

Mounting

Fixture head and wall box: spun steel, 1.5mm (0.06") thick, wet painted.

Arm: extruded steel, 1.5mm (0.06") thick, wet painted.

Base: cast zinc plated steel, 1.5mm (0.06") thick.

Switch: on/off, phenolic, on cord.

Socket: Porcelain, medium base for A-19, frosted envelope lamps.

Finish

Aubergine, Black, Dark green, Dark grey, Light grey, Midnight blue, Pale petroleum, Rusty red, Wht, Yellow ochr