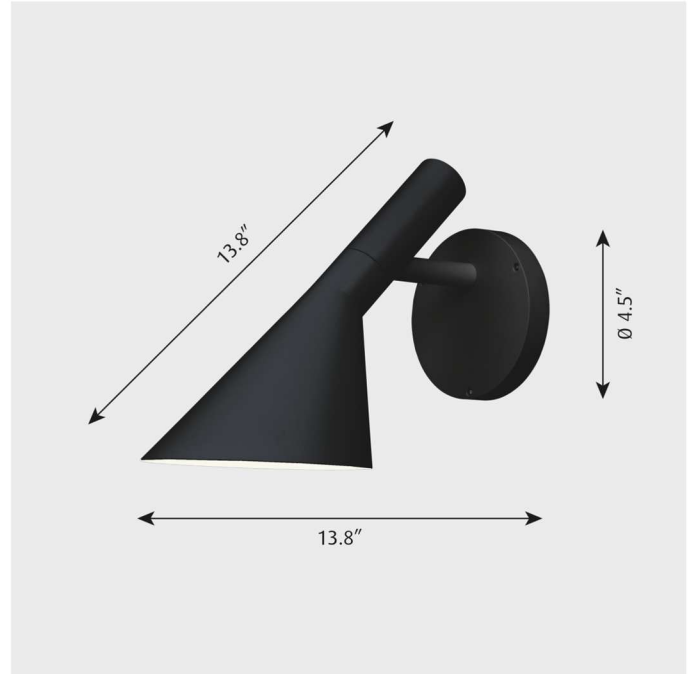


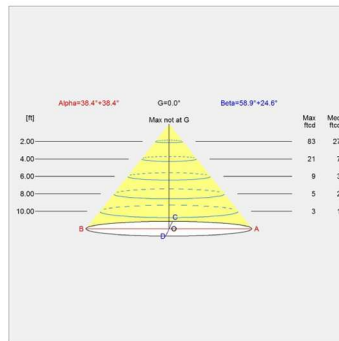
AJ 50 Wall

1/2

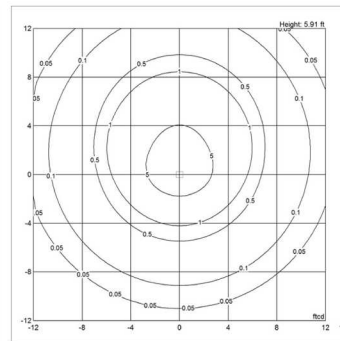


Light distribution diagrams

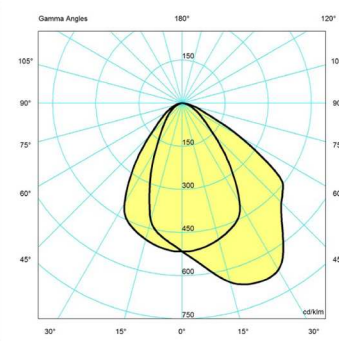
Cartesian



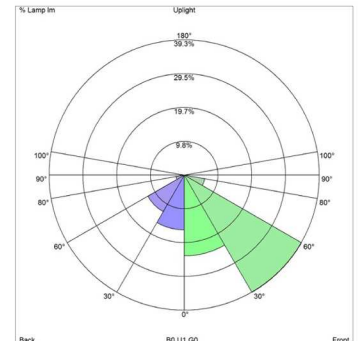
Isolux



Polar



Bug



Variant options

| Light source | Voltage frequency | Color | Class |
|--------------|-------------------|--|-------|
| 9W LED/3000K | 120V | <input checked="" type="radio"/> Blk <input type="radio"/> Nat paint alu <input type="radio"/> Wht | - |
| | | | I |
| | | | |

Product description

A semi-conical fixture head with a cylindrical top.
An arm fixed to a round mounting box holds the fixture head.
Terse and iconic design
Different colour variants.
LED board with integrated driver for direct line voltage input.
Is a member of a product family for both outdoor and indoor.

US: Mounts over outlet box. Requires 3 x 0.2" bolts and anchors or similar hardware suitable for wall material (not provided). Caulking required between wall and back plate for wet locations (not provided).

Design

Arne Jacobsen

Weight

Min: 4.112 lbs Max: 4.398 lbs

Voltage

120V

Light description

The fixture emits downward directed light.
The shade is painted white on the inside to ensure a soft comfortable light distribution.

Mounting

Fixture head, arm and wall box/wall plate of die-cast aluminium, 2.5mm (0.1") thick, white, black or aluminium coloured powder coated with textured surface.
Frosted glass LED enclosure.

Finish

Blk, Nat paint alu, Wht