

# FLOS

## Archimoon Soft - Base - Specification Sheet by Philippe Starck, 1998

Mounting	Table Top
Lamp (Bulb) Description	1 x 40W G9 Frosted Halogen (Included)
Environment	Indoor - Dry Location
Dimming	Dimmable
Finish	Plisse Cloth
Technical and Product Description	Philippe Starck first came up with this contemporary table lamp in 2004.

Archimoon Soft table lamp is made of a completely flexible silver aluminum arm that comes with balanced heat-tempered springs providing parallel arm movement. The modern table lamp's shade, made of Plisse cloth, is constantly horizontal to the table and has an internal opal glass diffuser.

The Archimoon Soft table lamp provides both direct and diffused lighting.

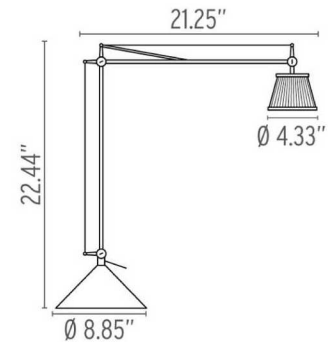
### Inspiration Behind the Design:

Philippe Starck's designs has always had a deeper political and civic-conscious meaning. His work is both practical and purposeful and designed for durability.



● FU037300AB Plisse Cloth

### Dimensional Image



### Certifications



### Lamping (Bulb)



40W G9 Frosted Halogen

### Electrical

Voltage	120
Switching	Switch on lamp base
IP Rating	IP20

### Physical

Cord Length (inches)	80" - Black
Construction Material	Aluminum, fabric and glass
Weight	12 lbs