

# EARTH



Design by Emilie Cathelineau

**Wall/Ceiling mounted light**

Integrated LED  
990 lm 2700°K 24V  
Integrated power supply included

**Solid Brass**  
**Polycarbonate diffuser**



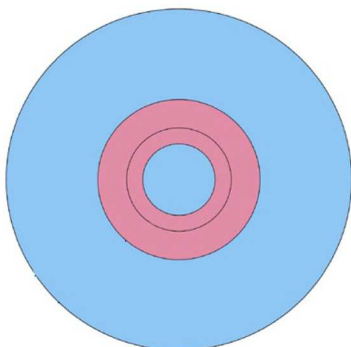
Earth SUN Ø330 mm (13") SC/SG



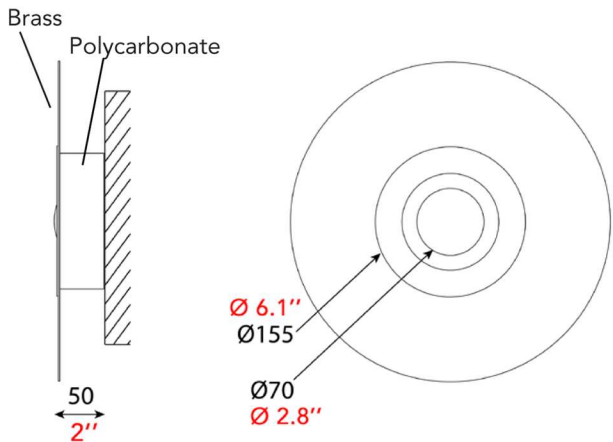
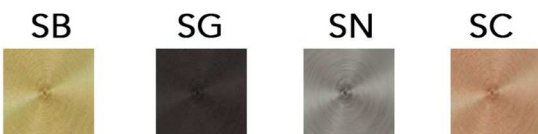
Earth MANDALA Ø440 mm (17.3") SB/SG

## Finish options

Finish 1 / Finish 2



## Available finishes:



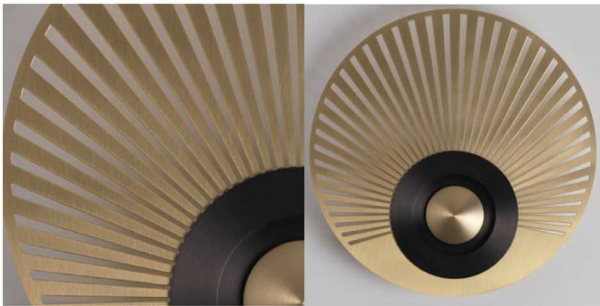
Identical central part for all Earth fixtures ( for any size and design)



**Sober** : Ø 250mm or Ø 330mm  
Ø 9.8" or Ø 13"



**Mandala** : Ø 330mm or Ø 440mm  
Ø 13" or Ø 17.3"



**Radian** : Ø 350mm  
Ø 13.8"



**Sun** : Ø 330mm or Ø 440mm  
Ø 13" or Ø 17.3"



**Palm** : Ø 330mm or Ø 440mm  
Ø 13" or Ø 17.3"



**Turtle** : Ø 330mm or Ø 440mm  
Ø 13" or Ø 17.3"