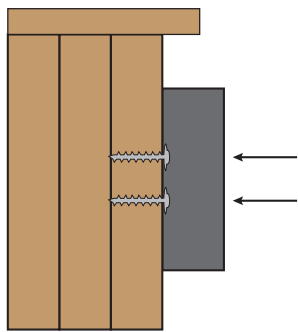
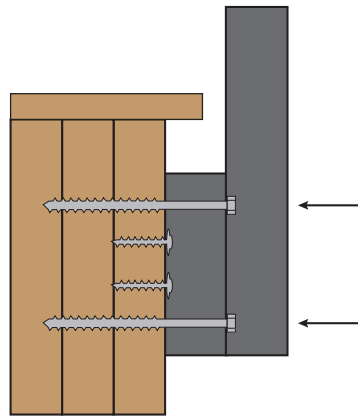


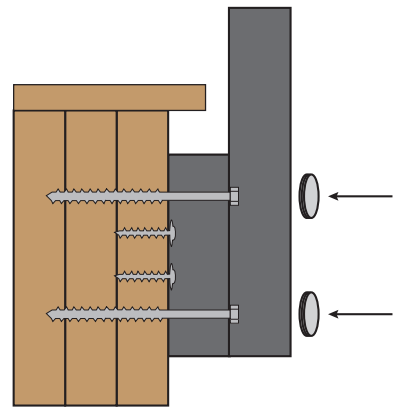
Side Mount Bump Out Installation



Level & Mount Block

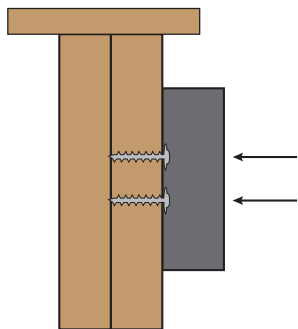


Pre-drill & Attach Post

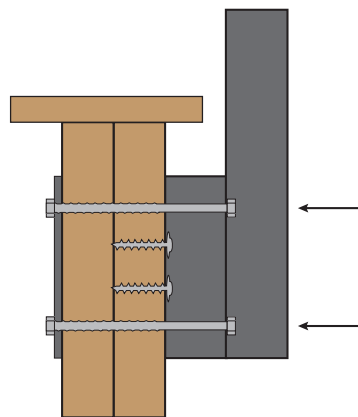


Cover Access Holes

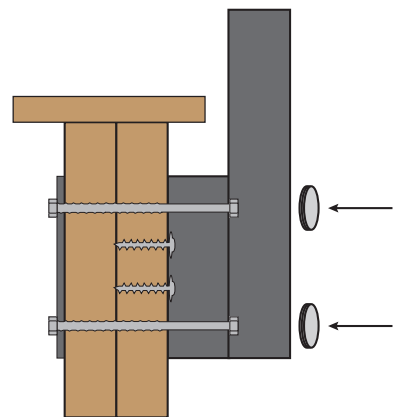
or



Level & Mount Block



Pre-drill & Attach Post
w/ Backing Plate



Cover Access Holes