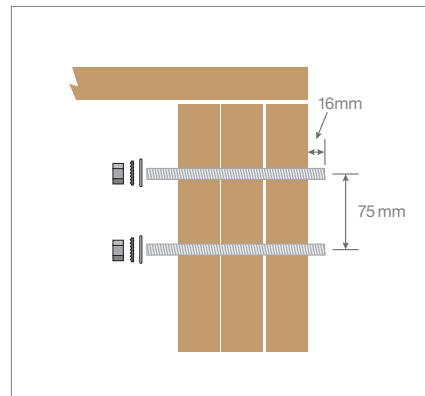




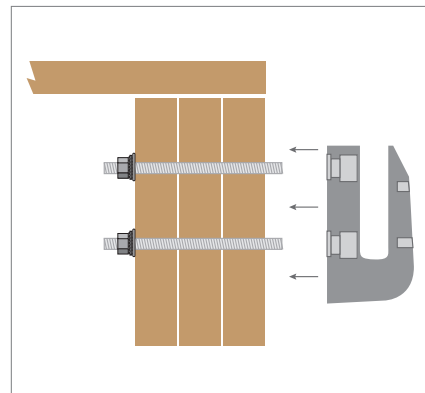
# Side Mount Talon Spigot Installation

**Side Mount Talon Spigots must be mounted through a triple header, or threaded studs must mount 4" deep into concrete. Wood must be equal to or harder than Southern Yellow Pine.**

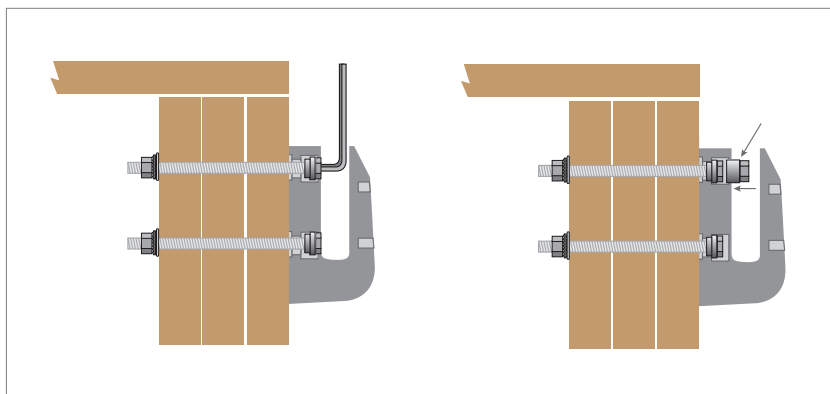
1. Determine the mounting position for the spigots. Drill 2 holes for the threaded studs. Distance between holes is 75mm on center. Once holes are drilled and studs inserted, add a washer, lock washer, and nut to the back side of each of the studs. Adjust fasteners so that only 16mm of each stud protrudes from the front of the holes. (see *fig. A*)



2. Slide the spigot onto the studs.



3. Add the special nut to each stud, then hand-tighten or use a short allen wrench to tighten until the special nut is recessed far enough to allow room for the special socket. Use the special socket and an open end wrench to finish tightening the special nut on each stud.

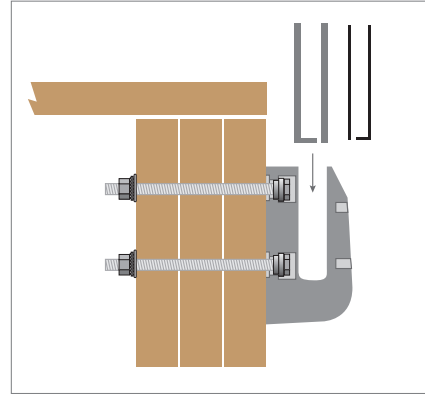




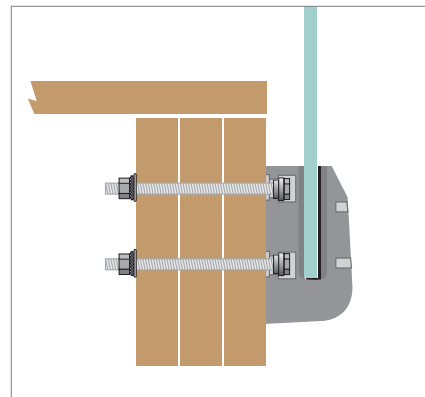
# VIEWRAIL

4. Once the spigot is secure, install the press plate and plastic lining.

REPEAT STEPS 1-4 UNTIL ENOUGH SPIGOTS ARE IN PLACE TO HOLD A GLASS PANEL.



5. Carefully place glass panel onto plastic lining inside the spigots.



6. Use the allen screws on the front of the spigot to gently secure the glass panel. These screw adjustments also control the Tilt-Lock feature, allowing the glass panels to be tilted in or out for alignment purposes.



To tilt glass in,  
turn the top nut  
clockwise and  
turn the bottom  
nut counter-  
clockwise.



To tilt glass out,  
turn the top nut  
counter-clock-  
wise and turn  
the bottom nut  
clockwise.

