



# VIEWRAIL

## FLIGHT PLAN

# Measurements Needed

Signature \_\_\_\_\_

Date \_\_\_\_\_

### Form A

1. Subfloor to Subfloor

\_\_\_\_\_

2. Finished Floor Thickness  
[lower level]

\_\_\_\_\_

3. Finished Floor Thickness  
[upper level]

\_\_\_\_\_

4. Header Vertical Dimension  
(including subfloor)

\_\_\_\_\_

4a. Header Material (wood,  
concrete, etc.)

\_\_\_\_\_

5. Ceiling Height

\_\_\_\_\_

6. Space Constraint

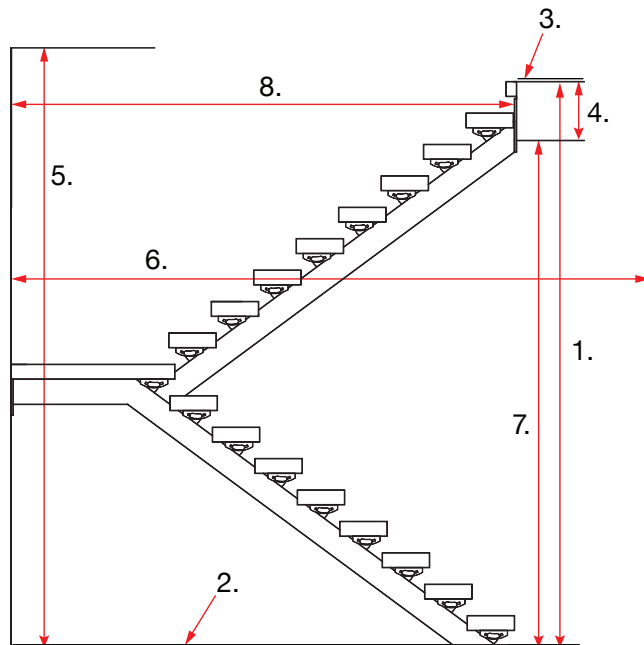
\_\_\_\_\_

7. Lower Floor Ceiling Height

\_\_\_\_\_

8. Header to Wall (if applicable)

\_\_\_\_\_



9. Mounting to subfloor or finished floor? \_\_\_\_\_

Please ensure you have the minimum mounting requirements of either double stacked LVL or triple stacked 2x10 dimensional lumber. The foot plate will need to have solid blocking material for hardware mounting.



# VIEWRAIL

## FLIGHT PLAN

# Special Conditions

Signature \_\_\_\_\_

Date \_\_\_\_\_

### Form B

#### 1. Ceiling Opening Width

[This refers to the width of the opening in the ceiling that the stairs will pass through.]

\_\_\_\_\_

#### 2. Floor Opening

Is there an opening in the floor beneath these stairs? If yes, please list dimensions here.

\_\_\_\_\_

#### 3. Obstacles

If an open door or walkway will need to be avoided, please add measurements here.

\_\_\_\_\_

#### WALL A

Is there a wall here? \_\_\_\_\_

Is there a window? \_\_\_\_\_

Will platform attach here? \_\_\_\_\_

#### WALL B

Is there a wall here? \_\_\_\_\_

Is there a window? \_\_\_\_\_

Will platform attach here? \_\_\_\_\_

#### WALL C

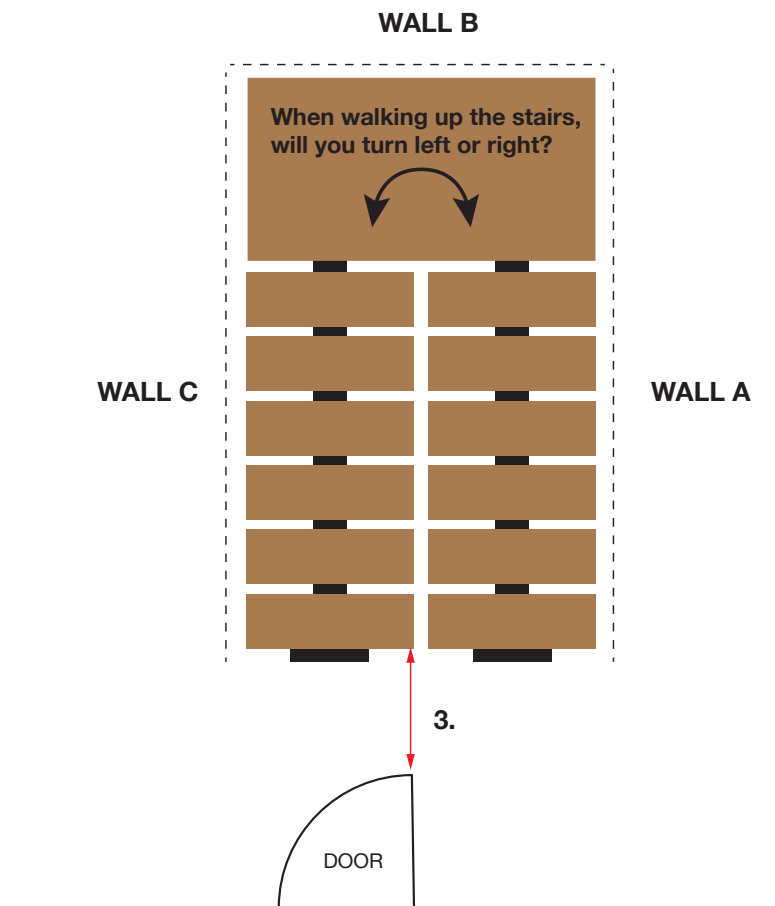
Is there a wall here? \_\_\_\_\_

Is there a window? \_\_\_\_\_

Will platform attach here? \_\_\_\_\_

List other possible Special Conditions:

\_\_\_\_\_



#### 4. Turning Direction

See question on platform above.

\_\_\_\_\_



# VIEWRAIL

## FLIGHT PLAN

# Existing Platform

Signature \_\_\_\_\_

Date \_\_\_\_\_

### Form C

#### 1. Floor to Platform Height

Measurement from the finished floor to the finished floor of the platform.

\_\_\_\_\_

#### 1a. Header Vertical Dimension

\_\_\_\_\_

#### 2. Platform Dimensions

Width \_\_\_\_\_

Length \_\_\_\_\_

#### 3. Platform to Header Distance

Measure distance from side of platform to wall where high-side stringer will attach.

\_\_\_\_\_

#### 4. Desired Run [down from platform]

Supply this measurement if there is an obstacle (door or pathway) or any other reason to be specific about this distance.

\_\_\_\_\_

#### 5. Stringer-to-Platform Attachment Method

Will the high-side stringer attach to the platform from the side with a wall mount or to the top surface with a foot plate?

\_\_\_\_\_

