

NOTICE

- *Please make sure that you have all parts indicated and they are in good condition before you begin assembly of this item. Refer to parts list and hardware list below for guidance.
- *This item should be assembled on a soft surface to prevent scratching the finished goods during assembly.
- *Do not fully tighten the bolts until the product is assembled.
- *This item may require periodic tightening.
- *If you are having difficulty, our friendly Customer Care team is always here to help. Please email customersupport@safavieh.com

PREPARATION

- *Before beginning assembly of product, make sure all parts are present. Compare parts with part contents list and hardware contents list.
- *If an part is missing or damaged, do not attempt to assemble the product.
- *Estimated Assembly Time: 15 minutes.
- *Tools Required for Assembly: Allen Key (included).

CARE AND MAINTENANCE

WOOD CARE

Adhesive felt pads should always be applied to areas of furniture which make direct contact with flooring, said application will prevent damage to the furniture and or surfaces on which the furniture lies. Objects placed on articles of furniture should rest on non abrasive material as to prevent damage to the wood finish. Wipe up spills immediately and avoid common hazards such as hot dishes, harsh solvents and abrasives. Cleaning should be done with a soft lint free cotton cloth dampened with water or furniture polish.

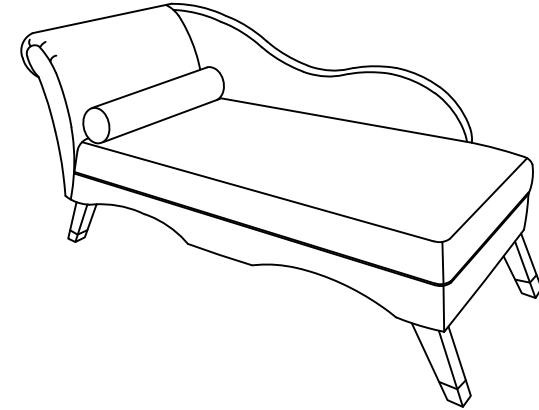
UPHOLSTERY CARE

To prevent overall soiling, frequent vacuuming or light brushing is recommended. Down-filled cushions should be brushed rather than vacuumed. Spot clean, using a mild water-free solvent or dry cleaning product. Only a professional cleaner should undertake a complete overall cleaning. The use of steam or water-based cleaners may cause excessive shrinking or staining.

SAFAVIEH FURNITURE

Model# FOX6284

Product Dimensions: 63"W x 27.5"D x 30"H



Weight capacity : 550 lbs
WARNING : DO NOT STAND ON THE PRODUCT
WARNING : DO NOT OVER TORQUE BOLTS

Part List and Hardware List

Piece	Description	Picture	Quantity
A	Leg (A)		2 X
B	Leg (B)		2 X
C	Seat Frame		1 X
D	Side Armrest		1 X
E	Chair Back		1 X
F	Pillow		1 X

Piece	Description	Picture	Quantity
HW1	Hex Socket Bolt	5/16"-18 x 2"	14 X
HW2	Hex Socket Bolt	5/16"-18 x 3"	2 X
HW3	Hex Socket Bolt	5/16"-18 x 2.5"	2 X
HW4	Allen Key	M5	1 X

PREPARATION

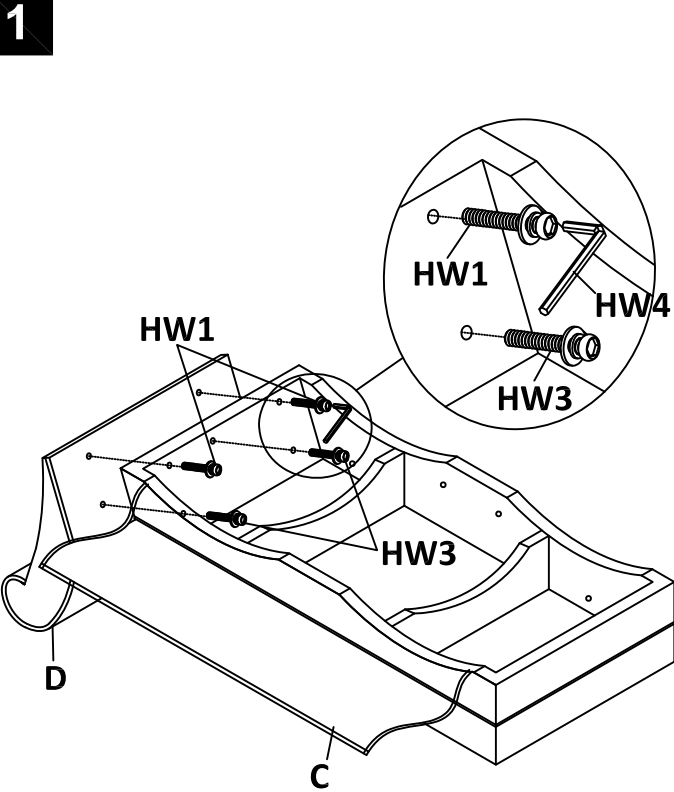
*Before beginning assembly of product, make sure all parts are present. Compare parts with part contents list and hardware contents list.

*If any part is missing or damaged, do not attempt to assemble the product.

*Estimated Assembly Time: 15 minutes.

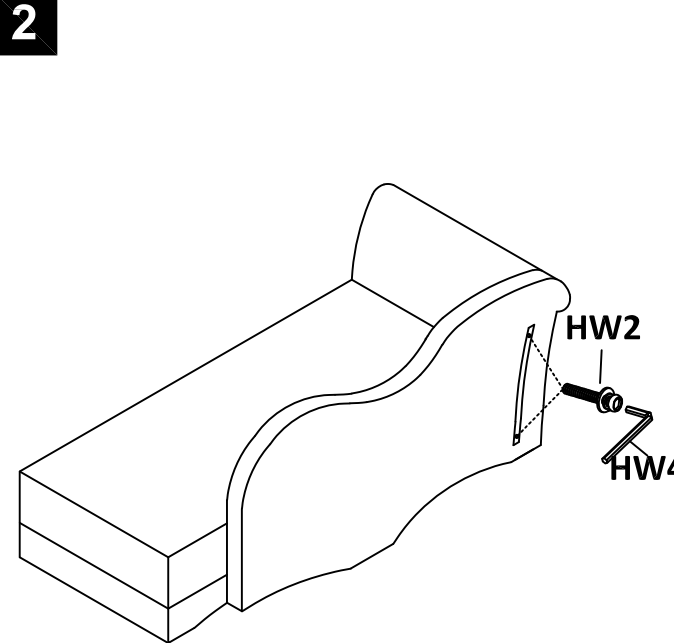
*Tools Required for Assembly: Allen Key (included).

*If you are having difficulty, our friendly Customer Care team is always here to help. Please email customersupport@safavieh.com



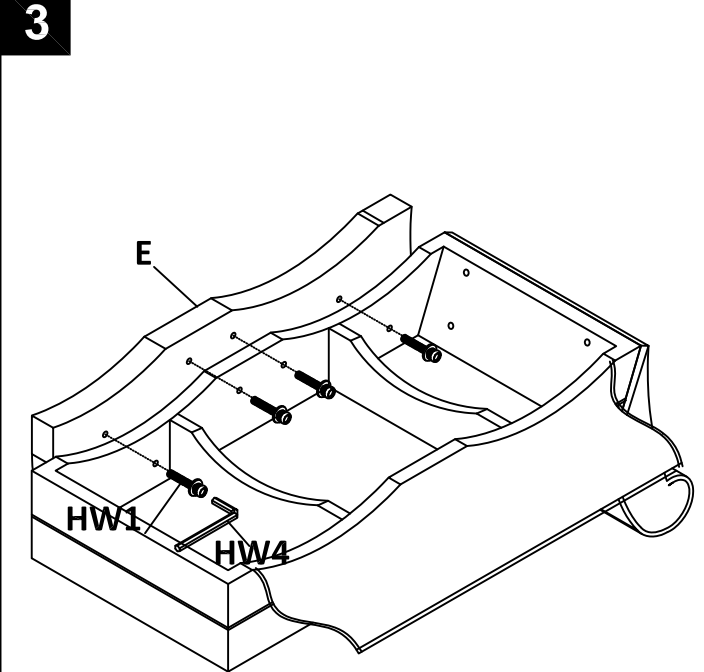
Step 1

Uncover Velcro fabric under Seat Frame (C), Align rear of Seat Frame (C) with the bottom of Side Armrest (D). Using Allen key to lock seat frame with side armrest by 4*Hex Socket Bolt (2*HW1 & 2*HW3).



Step 2

Attach the Chair Back (E) to the Seat Frame (C) and Side Armrest (D), Unzip the back of Chair Back (E), Use Allen key(HW4) to lock the Chair Back (E) and Side Armrest (D) with 2*Hex Socket Bolts (HW2).



Step 3

Then turn it over (the bottom side is up), Use Allen key(HW4) to lock the Chair Back (E) and Seat frame (C) with 4*Hex Socket Bolts (HW1).

PREPARATION

*Before beginning assembly of product, make sure all parts are present. Compare parts with part contents list and hardware contents list.

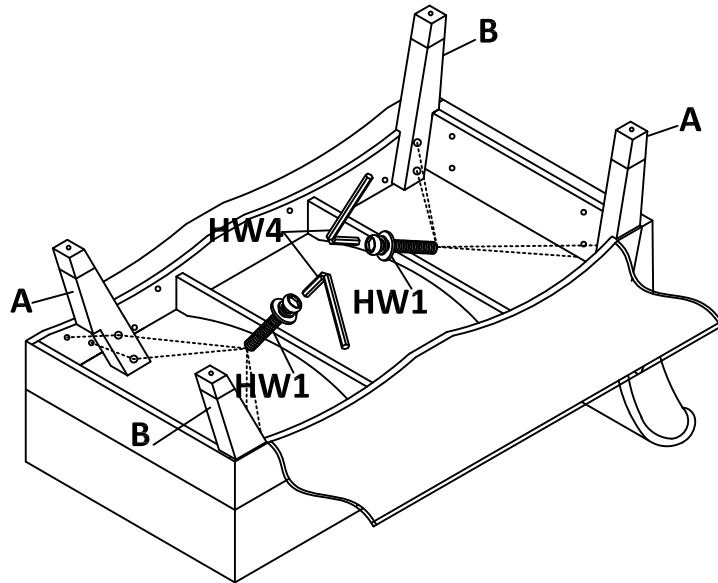
*If any part is missing or damaged, do not attempt to assemble the product.

*Estimated Assembly Time: 15 minutes.

*Tools Required for Assembly: Allen Key (included).

*If you are having difficulty, our friendly Customer Care team is always here to help. Please email customersupport@safavieh.com

4



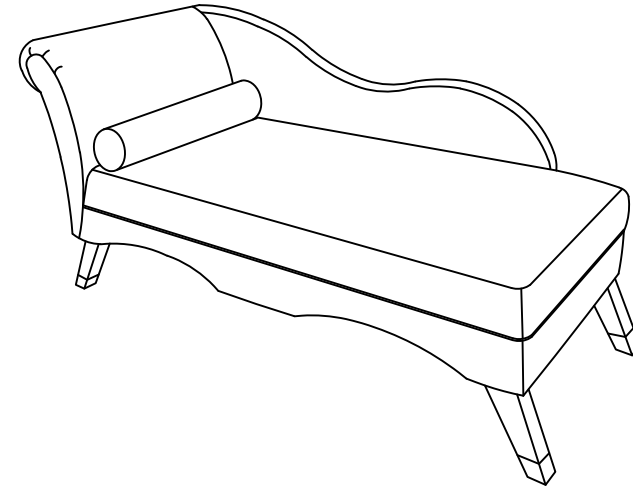
Step 4

Assemble 2*Legs (A) to Seat frame (C) in diagonal position facing left front left, Use Allen key(HW4) to lock 2*Legs (A) on the Seat frame (C) with 4*Hex Socket Bolts (HW1).

Then assemble other 2*Legs (B) to Seat frame (C) in diagonal position facing right front, Use Allen key(HW4) to lock 2*Legs (A) on the Seat frame (C) with 4*Hex Socket Bolts (HW1).

Cover the Velcro fabric to side of Seat Frame (C) and press together to close tight.

5



Step 5

Straighten up the assembled product. And place pillow (F) on top, Assembly is completed.