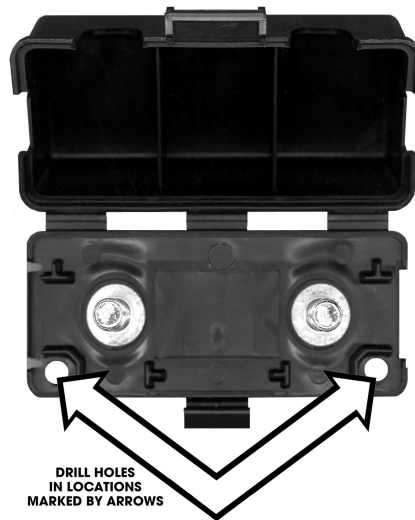




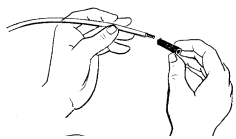
The power junction block is designed as a multiple power feed center to supply power to your cooling fans, aftermarket distributor system, radio system or some other type accessory you may have added to your vehicle.

Mount the junction block close to the battery, near the starter solenoid or inside the vehicle following the drawing below. **Mount the junction block AWAY from any heat source. Remember to allow room around the unit for your wire connections.**

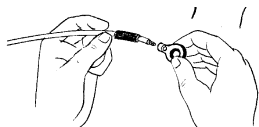


The junction block has two 8 millimeter studs which accept 5/16 ring terminals for your heavier load connections and three #8 screws for the lighter load items. Also supplied is a sleeve and 3/8 ring terminal to complete the battery feed wire connection to the junction block. The installation procedure for installing the sleeve and ring terminal are shown below. Be sure to solder this terminal to ensure a good connection. **Don't forget the accessories you are connecting to this unit may need fusing.**

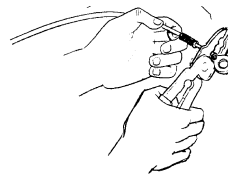
Sleeve & ring terminal installation procedure



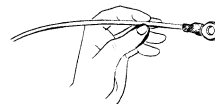
(1) Cut the wire to the correct length, strip the insulation 1/4 inch from the end of the wire. Slide the rubber sleeve onto the wire and move back out of the way



(2) Slide the large terminal onto the bare end of the wire and hold for crimping



(3) Crimp with the proper tool as shown. Make this important connection tight as possible. Solder if desired.



(4) Pull the rubber sleeve back over the crimped area of the ring terminal to finish the job.