

# 1500 Series regulators

1/4" and 3/8" Ports

Technical data	
Diaphragm	Nitrile + nylon
Regulator body	Aluminum
Regulator valve	Nitrile + nylon
Regulator springs	Steel
Gauge cover	Nylon + polycarbonate
Regulator knob	Acetal
O-rings	Nitrile
Max inlet pressure (psi)	250
Temperature range (F)	23 – 140
Spring range options (psi)	0 – 30
	0 – 60
	0 – 140
Gauge port	1/8"
*Flow capacity — 1/4" port	86 scfm
*Flow capacity — 3/8" port	113 scfm

*\*Inlet pressure 100 psi (6.9 bar), 90 psi set (6.2 bar), with 33 psi drop (2.3 bar)*



### How to order

To configure the desired part number, use the chart below to select the port size, thread type, and configuration options.

Port size Base model  
**1/4" - R372 2 1 - X X X**  
**3/8" - R372 3 1 - X X X**

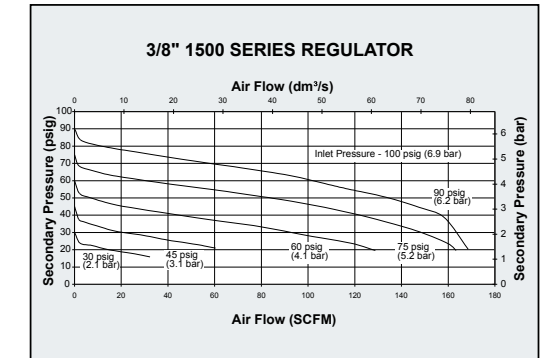
**Note:** Some menu combinations not available. Please consult price book to verify. Popular options are shown in red below.

<b>Thread type</b>	<b>Pressure range PSIG</b>	<b>Relieving option</b>	<b>Control option</b>
<b>2</b> 1/4" NPT	<b>1</b> 0 – 140 (no gauge)	<b>0</b> Relieving	<b>0</b> Standard knob
<b>3</b> 3/8" NPT	<b>2</b> 0 – 60 (no gauge)	<b>2</b> Non-relieving	
<b>B</b> 1/4" BSP	<b>4</b> 0 – 30 (no gauge)		
<b>C</b> 3/8" BSP	<b>6</b> 0 – 140 w/ flush-mount gauge		

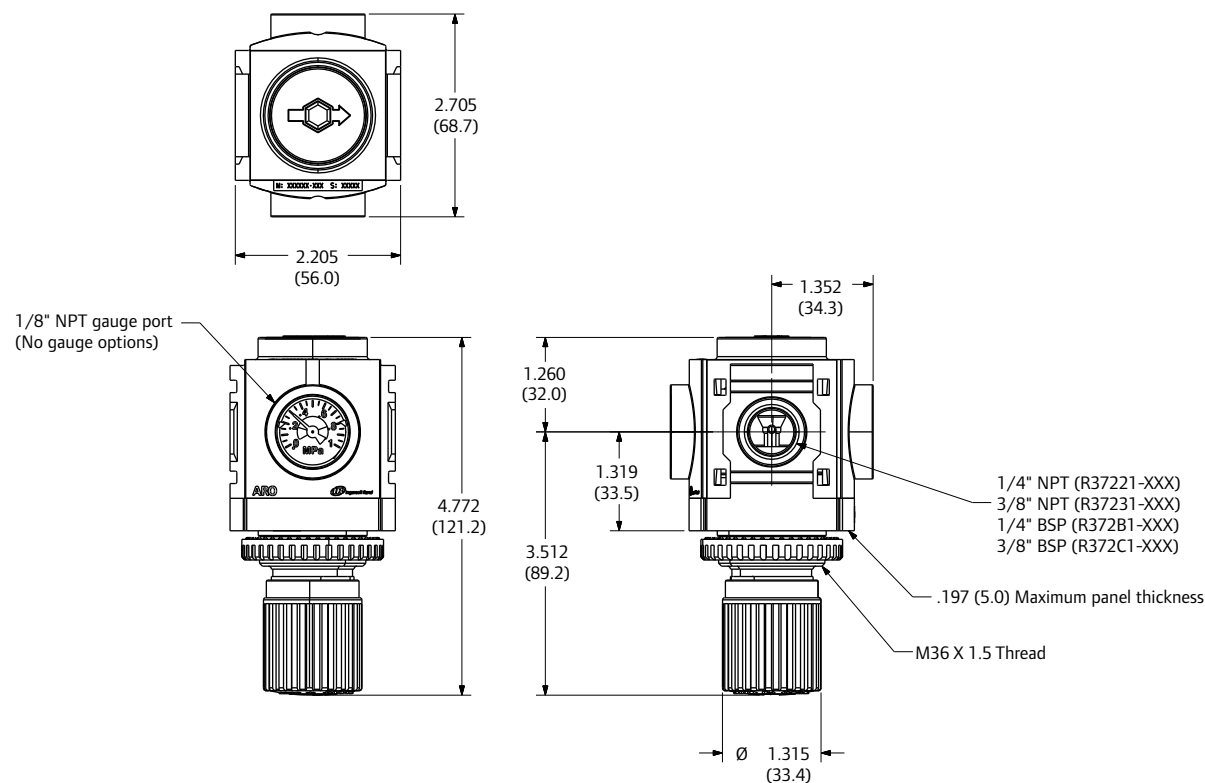
### Popular configurations

Port size NPT	Pressure range psi	Gauge	Model
<b>RELIEVING • STANDARD KNOB CONTROL</b>			
1/4"	0 – 30	No gauge	R37221-400
1/4"	0 – 60	No gauge	R37221-200
1/4"	0 – 140	No gauge	R37221-100
1/4"	0 – 140	Flush-mount gauge	R37221-600
3/8"	0 – 30	No gauge	R37231-400
3/8"	0 – 60	No gauge	R37231-200
3/8"	0 – 140	No gauge	R37231-100
3/8"	0 – 140	Flush-mount gauge	R37231-600
<b>NON-RELIEVING • STANDARD KNOB CONTROL</b>			
1/4"	0 – 30	No gauge	R37221-420
1/4"	0 – 60	No gauge	R37221-220
1/4"	0 – 140	No gauge	R37221-120
1/4"	0 – 140	Flush-mount gauge	R37221-620
3/8"	0 – 30	No gauge	R37231-420
3/8"	0 – 60	No gauge	R37231-220
3/8"	0 – 140	No gauge	R37231-120
3/8"	0 – 140	Flush-mount gauge	R37231-620

### 3/8" Pressure drop test



See page 77 for additional flow charts



### Replacement parts

MODEL	DESCRIPTION
104430	Regulator service kit (relieving)
104431	Regulator service kit (non-relieving)
104432	Tamper kit
104433	0 – 30 psi Spring
104434	0 – 60 psi Spring
104435	0 – 140 psi Spring
104310	0 – 140 psi Gauge flush mount

### Accessories

See page 65 for details

MODEL	DESCRIPTION
104391-2	1/4" NPT lockout valve
104391-3	3/8" NPT lockout valve
104395	Modular clamp
104475-2	1/4" NPT pipe adapter
104475-3	3/8" NPT pipe adapter
104478-2	1/4" Check valve
104478-3	3/8" Check valve
104400	T-type wall mount
104404	L-type wall mount
104408	C-type wall mount
104412-3-1	3/8" x 1/8" Manifold block
104412-3-2	3/8" x 1/4" Manifold block
104417	Panel nut
104467	Gauge port block