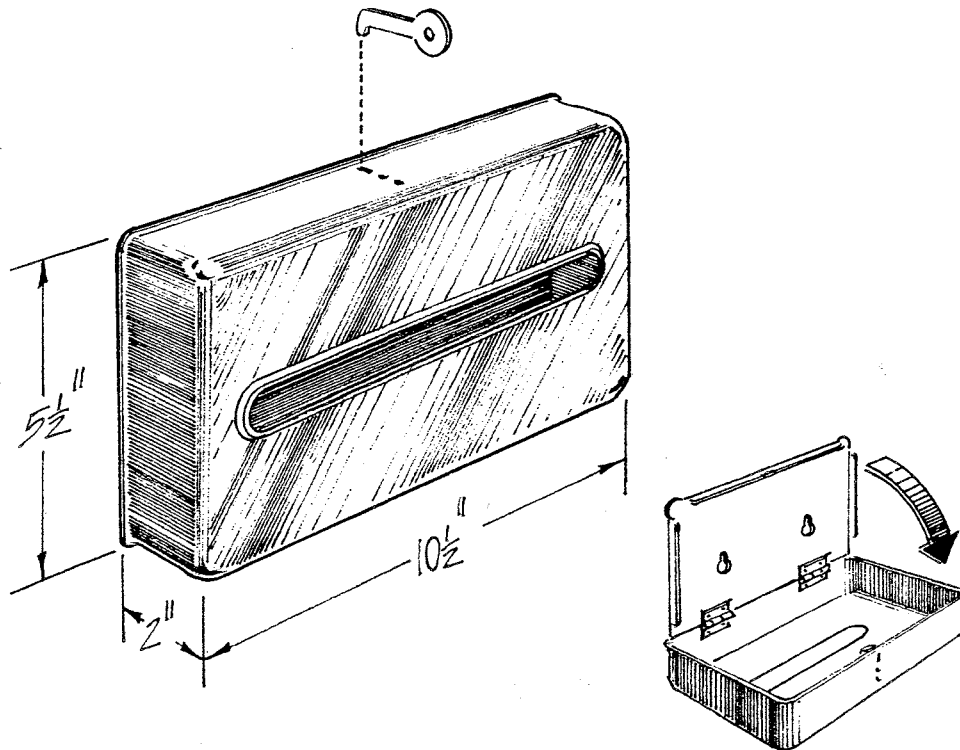


SURFACE MOUNT FACIAL TISSUE DISPENSER



CONSTRUCTION: Surface Mount Facial Tissue Dispenser is constructed of chrome plated heavy guage steel.
Constructed to fit 2" high facial tissue boxes.

OPERATION: Un-lock front face of dispenser and load facial tissue box, close the then lid and pull sheets through slot on the face.

INSTALLATION: Secure to studs or solid backing with mounting screws (included) at holes provided.

SPECIFICATION: Surface Mount Facial Tissue Dispenser **AR40SM** shall be constructed of chrome plated heavy guage steel.

Overall dimensions: 10 1/2"w x 5 1/2"h x 2 1/8"d.