

153 Bowles Road • Agawam, MA 01001

GETTING STARTED / INSTALLATION TIPS

IMPORTANT: Read all instructions carefully and completely to ensure proper installation.

WARNING: Parts have sharp points & edges. Use extreme caution when handling & installing. Wear safety glasses at all times.

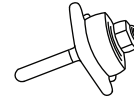
Tools & Materials Needed



Safety Glasses



Power screw gun with ratcheting torque setting



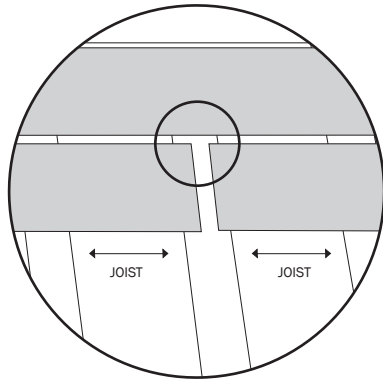
Tiger Claw Slot Cutter



Router

Step 1

DETERMINE LOCATION OF SEAM

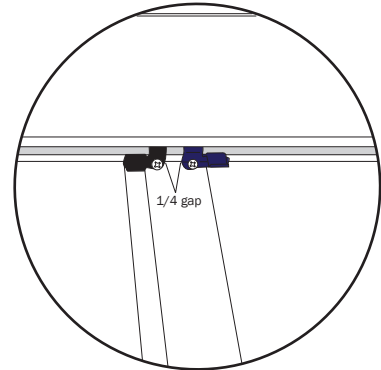


Determine upon which joist your next row of boards will have a seam. If this is not known ahead of time it may be necessary to adjust clip when butt seam location is determined.

NOTE: Be sure to install a TC-G (TC-150) and butt seam clip at the joist where the next seam will land. If this is not known ahead of time it may be necessary to adjust clip when butt seam location is determined.

Step 2

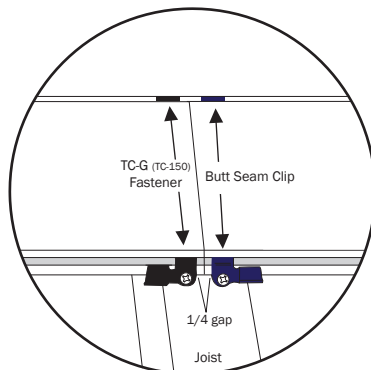
POSITION BOARDS



Install a TC-G (TC-150) fastener and a butt seam clip into the groove of the deck board. Position the fasteners towards the center of the joist, leaving about a 1/4" gap between the fasteners. Install screws provided at 45° angle into joist.

Step 3

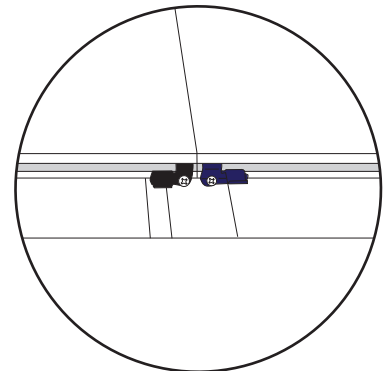
INSTALL TC-G (TC-150) AND BUTT SEAM CLIP



When installing the next row. Make sure the seam of the two boards is centered over the joist. Install a TC-G (TC-150) fastener and butt seam clip on like shown in step 2.

Step 4

INSTALL NEXT BOARD



Install next board and continue with TC-G (TC-150) installation following TC-G (TC-150) instructions.