

TC-120 for Grooved Board Fastener

TC-120 for Grooved Board Fastener 3/4" decking boards:



PRODUCT DESCRIPTIONS

201 Stainless Steel Hidden Deck Fastener with black oxide coating for use with 3/4"x4 and 3/4"x6 grooved decking.

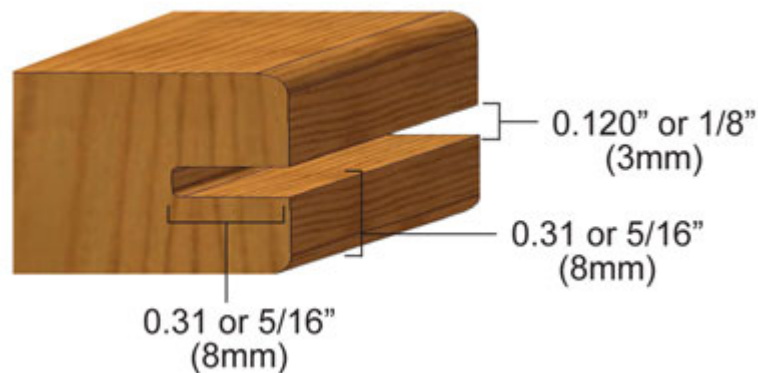
PRODUCT REQUIREMENTS

When using Tiger Claw fasteners please review and comply with these requirements to obtain proper installation. Failure to follow these requirements may result in deck failure and/or void of warranty.

Inspect decking material prior to installation. Omit any planks that contain hooks, twists, splits, cracks, or other defects. Always install decking with crown upward.

When using:

Designed for use in 3/4" decking. If using pre-grooved decking be sure that the groove is the correct dimension and location on the board so that it is compatible with the TC-120 fastener (see groove specs below). A TC-120 Slot Cutter can be used to create grooves in non-grooved boards.



PRODUCT FEATURES & COMPATIBILITY

TC-120 is ideal for ¾" mahogany and ironwood decking

*TC-120 will work on the following decking lumber varieties:

- Mahogany
- Ipe
- Brazilian Red Wood
- Red Balau
- Spotted Gum
- Merbau
- Most ¾" Exotic Hardwoods

Please consult your manufacturer or ask us first if you plan to use any other decking material not listed above in your decking project. Contact us at: 1-800-928-4437

- Pressure-Treated decking surfaces
- Other material prone to high shrinkage

PRODUCT SPECIFICATIONS

| | |
|------------------------------|---|
| Brand Name | TC-120: Stainless steel hidden deck fastener |
| Origin | Connecticut, USA |
| Recommended Materials | Use with wood decking ¾" in thickness |
| Appearance | Semi gloss black finish, rectangular body with a screw hole in the bend of the bottom flange. Two large will off set opposing tabs on top, one tab with points and the other with a rolled edge, one spacer tab on side of fastener body. |
| Material | 0.060 thick annealed 201 stainless steel (non-magnetic) |
| Finish | Black oxide with sealer topcoat |
| Workability | All work can be done quickly and easily using basic tools (screw gun) |

| | |
|-------------------------------|---|
| Recommended Screw Used | Quality Stainless steel #6 x 1 5/8" finished head decking screw. Screws included in each bag. |
| Gapping | TC-120 will automatically create a 1/8" space between each board |
| Expansion/Contraction | Fasteners are designed to allow decking to expand and contract naturally by sliding on the fastener tab and still maintain hold down strength. TC-120 is designed to maintain consistent spacing as deck boards expand and contract. From the point of installation, the TC-120 can handle board expansion up to 1/8" and contraction up to 3/16" |
| Packaging | 90 piece bag, 10 bags per tray pack 2 tray packs per master carton |
| Package Content | Retail Unit: 90 Tiger Claw fasteners, (92) #6 x 1 5/8" stainless steel screws, (1) #1 Square Drive Bit, (1) Installation Instruction, (1) Support Addendum |
| Retail Unit Dimensions | (90 piece bag) 6.00"h x 5.00"w x 1.23"d |
| Coverage | 90 pieces covers 50 sq. ft. when using 5.5" decking and 35 sq. ft. when using 3.5" decking |
| | A fastener is needed at every intersection of a joist and decking board. |
| | When using 5.5" decking with 16" on center joists: |
| | $\text{Square footage} \times 1.75 = \text{Approx. \# of fasteners}$ |
| | When using 3.5" Decking with 16" on center joists: |
| | $\text{Square footage} \times 2.75 = \text{Approx. \# of fasteners}$ |
| | For other configurations: |
| | # Decking boards x # Supports = # of Fasteners |
| | # Fasteners / 90 = # Bags (round up to next bag) |
| | Data & Product Images courtesy of Tiger Claw |

