

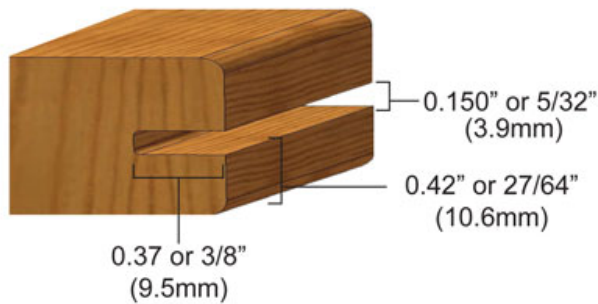


Tiger Claw Slot Cutters

Tiger Claw slot cutters have been specifically designed to cut grooves into square edge decking to match the Tiger Claw TC-G (150) or TC-120 hidden fastening clips. For use with many handheld routing tools, simply route out the portion of the decking directly above the framing joists to create a perfectly positioned groove to accept hidden fastening clips. These slot cutters feature carbide blades for long-term performance.



- For use in various types of decking including capstock composites, composites, PVC, hardwoods and softwoods such as cedar or redwood
- TC-G (150) Slot Cutter for 5/4" Decking.
- TC-120 Slot Cutter for 3/4" decking



TC-G Slot Cutter for 5/4" Decking

