

Heritage TruHybrid™ Wood Stove



HERITAGE Truhybrid™ MODEL 8024 BLACK HIGH-GLOSS ENAMEL + SOAPSTONE WITH LEFT SIDE DOOR



Heritage featured in Brown Majolica Enamel.

FINISH OPTIONS:



Matte Black



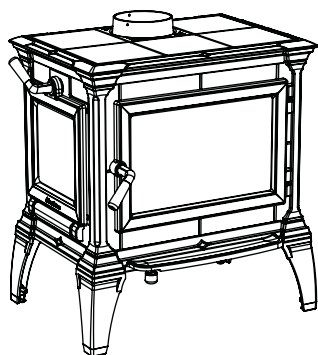
Brown Majolica Enamel



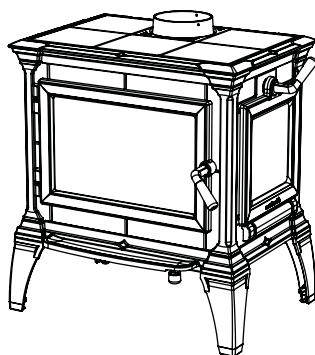
Seafoam Majolica Enamel



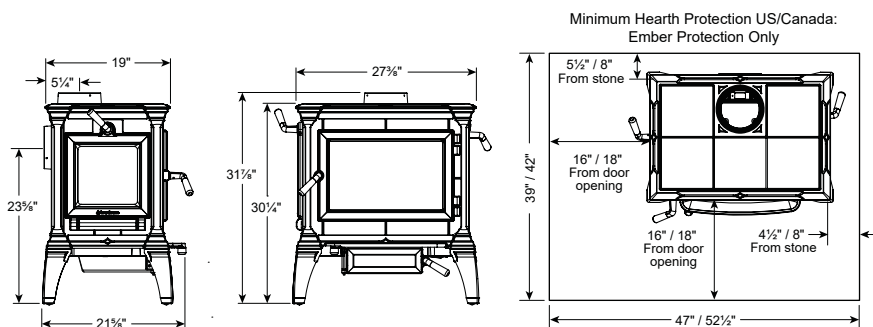
Black High-Gloss Enamel



Left side load - 8024L

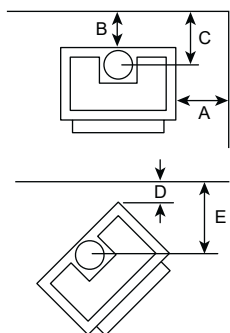


Right side load - 8024R



Shown with optional ash pan.

CLEARANCE TO COMBUSTIBLE MATERIALS



	Single-wall connector pipe, no rear heat shield	Double-wall connector pipe, with rear heat shield
A	16"	16" *
B	16"	6"
C	21"	11"
D	8"	8" *
E	21 1/4"	21 1/4" *

HERITAGE

Model 8024

TruHybrid™

2020 READY

- **TruHybrid™ Combustion System**
Clean burning, uber-efficient, burn times up to 25 hours**.
- **Single Lever Air Control**
Easy operation, consistent performance
- **Easy Catalyst Control Handle**
Open side lever for smokeless startups, close for long, efficient fires
- **Durable Construction**
1 1/4" soapstone with iron protectors ensure a lifetime of trouble free service
- **Left or Right Side Door**
Front door coordinated with side door for flexible installation
- **Top Or Rear Flue Exit**
Freestanding or hearth configuration, use the flue cap as a cooking plate with the rear exit

SPECIFICATIONS

Efficiency	77% HHV
HeatLife™	25+ hrs**
2020 EPA Certified	0.54 g/hr
Heats up to	2,100 sq ft
Firebox Capacity	2.2 cu ft
BTU	Up to 60,000
Maximum Log Length	21"
Flue Exit & Diameter	Top or Rear - 6"
Side Load Door	Choose Left or Right
Ash Pan	Optional
Actual Weight	560 lbs.
Alcove Certified	Yes
Mobile Home Certified	Yes

ACCESSORIES

Ash Pan	90-57220
Convection Blower	90-57210
Rear Heat Shield	90-68210
Outside Air Adapter	90-53220

* Non-door side -or- locked side door