



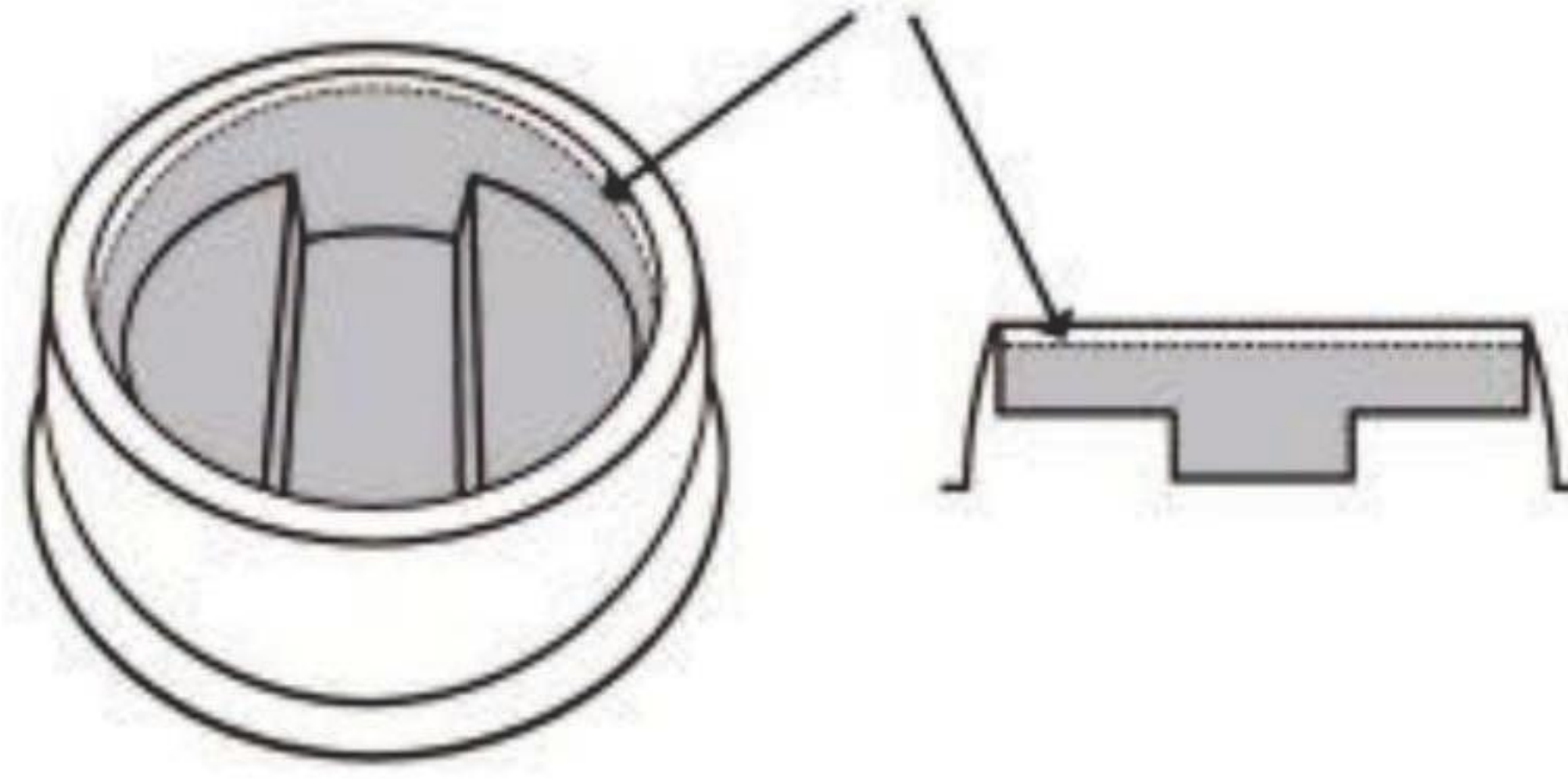
Fruit Friend Fruit Fly Trap

Our Fruit Friend Fruit Fly Trap traps annoying fruit flies in your kitchen where they feed on ripened fruit and vegetables. Place this un-obtrusive trap on your kitchen counter near fruit, vegetables, and other perishables and watch your fruit fly troubles disappear.

- Small and lightweight.
- Can be placed on any flat surface.
- Easy to use and clean.
- Refill lure available.

Directions:

1. Pour approximately 1.5 ounces (3 Tbsp.) of lure into the base of the trap, just below the rim (see illustration) and place the top (dome) over the base.



2. Place traps throughout area where fruit flies are a problem.

| | |
|------------------------------------|---|
| Fruit Friend Fruit Fly Trap | Fruit Friend Fruit Fly Trap Lure |
| 3 Traps & 1- 8 ounce Lure | 8 ounces |
| Sku #2615 | Sku #2616 |

Gardens Alive!®, Inc.
 706 W. Cumberland St.
 Lewisburg, OH 45338
www.GardensAlive.com



Fruit Friend Fruit Fly Trap Lure

For use with Fruit Friend Fruit Fly Trap #2615 (or any other fruit fly trap requiring a liquid lure) Contents may stain hard surfaces.

Contents
 100% Food Grade Ingredients

8 fl. oz.
Sku #2616

For use with Fruit Friend Fruit Fly Trap #2615

Gardens Alive!®, Inc.
 706 W. Cumberland St.
 Lewisburg, OH 45338
 513-829-2680
www.GardensAlive.com

Directions:

1. Pour approximately 1.5 ounces of lure into the trap, just below the rim.
2. Place trap lid (dome) over trap base.
3. Place traps throughout area where fruit flies are a problem.



0 56871 02616 8