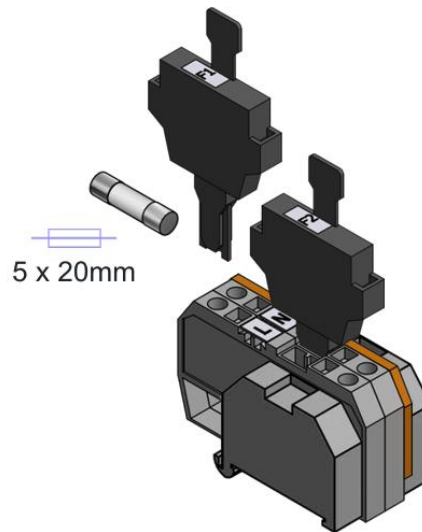




Part Number: Y18TICS20

Part Description: TAG Power Supply Terminal Kit



General Description:

Kit: DIN rail mount fused terminal assembly, L1 + N power supply, 2 x 1.0A fuse

Qty	Part No.	Description
1	CO000026	End Plate, Terminal
2	CO000028	End Stop, DIN rail mount
1	CO000090	Marker, "N", Terminal
1	CO000092	Marker set, "F1" & "F2", Fuse Holder
1	CO000094	Marker, "L1", Terminal
2	CO000358	Terminal, 2 way, DIN rail mount
2	FH000008	Fuse Holder, 250V, 6.3A max
2	FU000012	Fuse, 1.0A, 250V, 5 x 20mm