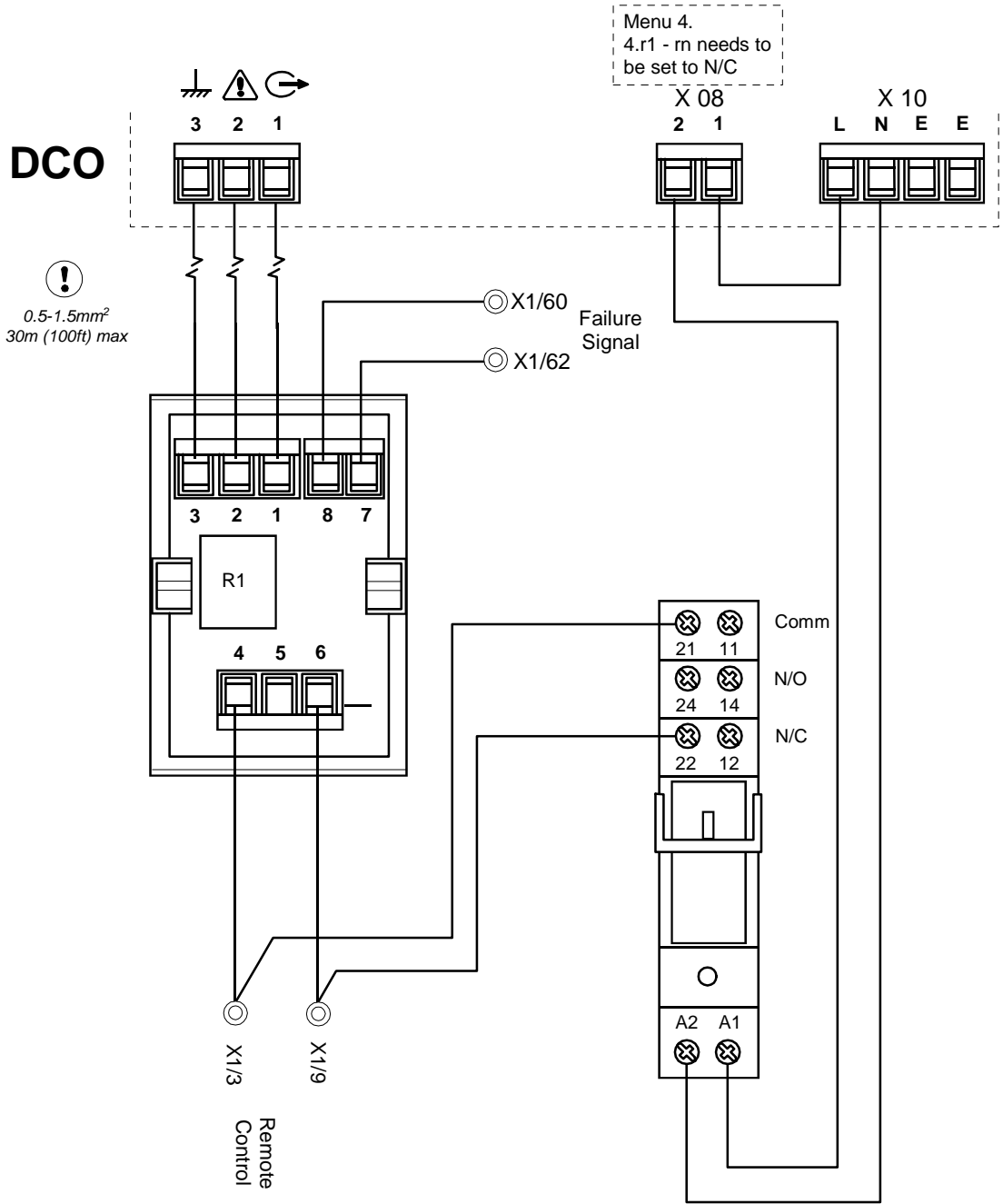



metacentre™
miPCB - Compressor Connection Drawing



CMC N.V. / EnerAir Solutions Ltd	Confidential
Filename: mi-PCB_Bottarini_KDV 25 - E02.pdf	
Brand: Bottarini	Model: KDV
Drawing notes: Bottarini KDV 25	
Sheet: 1 of 1	Date: 31/10/2011
Drawn by: Dave Edwards	Release: E02
 Guidance only; connections may differ with date, model, type, variant, special, custom or concession builds. This information is intended to be used in conjunction with the compressor's original control circuit diagram.	