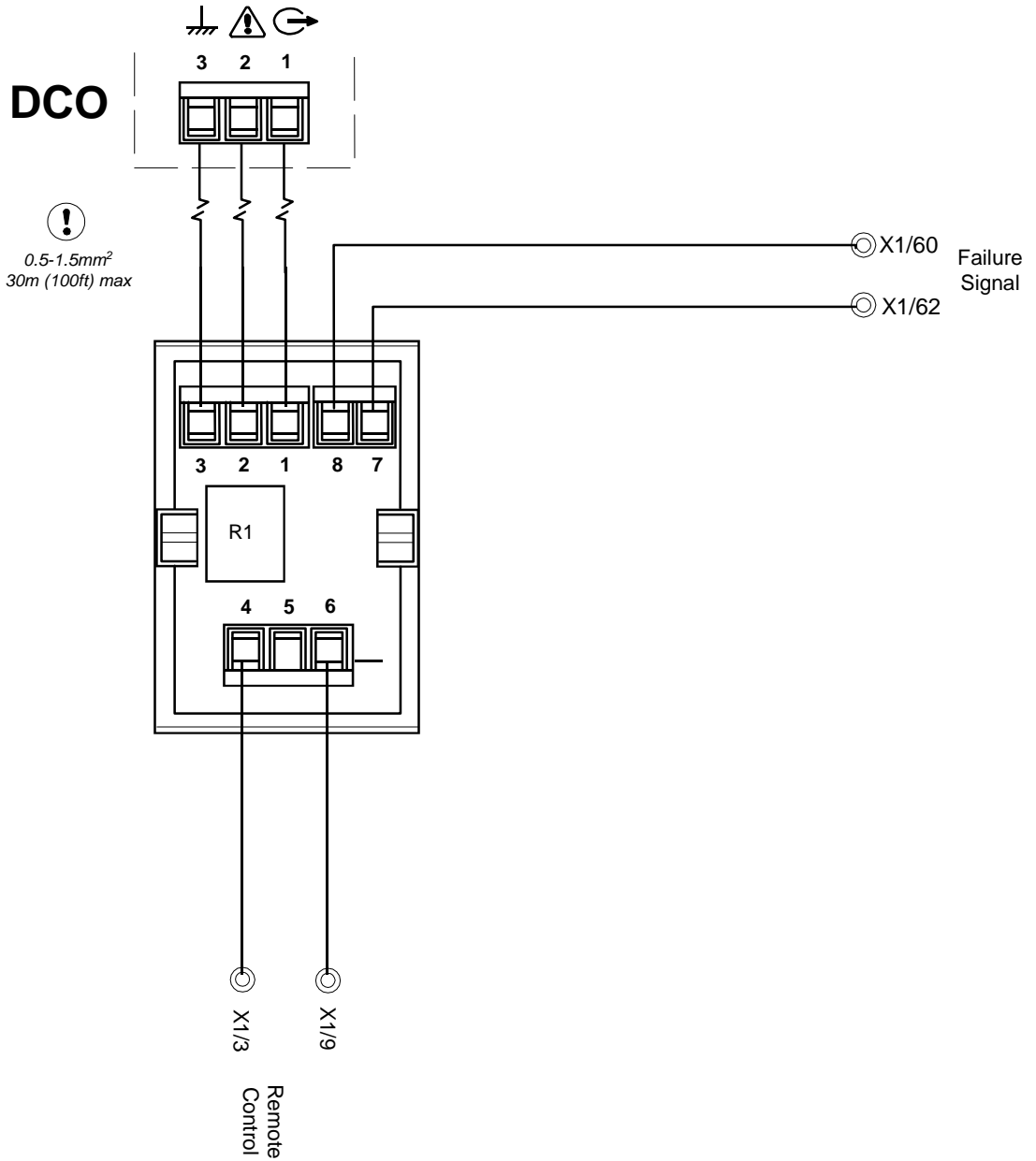



# metacentre™

## miPCB - Compressor Connection Drawing



<b>CMC N.V. / EnergAir Solutions Ltd</b>		<b>Confidential</b>
Filename: mi-PCB_Bottarini_KDV 25.pdf		
Brand: Bottarini		Model: KDV
Drawing notes: Bottarini KDV 25		
Sheet: 1 of 1		Date: 31/10/2011
Drawn by: Dave Edwards		Release: E01
 <b>Guidance only; connections may differ with date, model, type, variant, special, custom or concession builds. This information is intended to be used in conjunction with the compressor's original control circuit diagram.</b>		