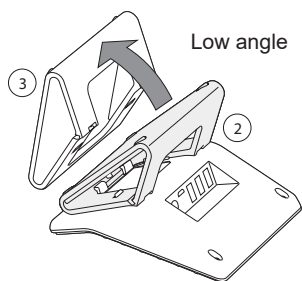


Adjusting the Viewing Angle of the BB424 (Optional)

The stand on the BB424 supports two tilt angles so that you can adjust how the button box sits on a desk. The stand is shipped in the low position. Use these instructions to change the tilt angle.

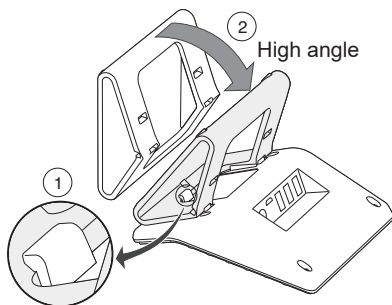
Remove the Stand:

1. Disconnect any cables from the back of the BB424.
2. Grasp the BB424 base in one hand and the stand in the other.
3. Pull the stand off the base until it unsnaps.



Replace the Stand:

1. Rotate the stand 180 degrees. Seat the stand firmly in the hooks.
2. Push the stand into the base until it snaps into place.
3. Reattach cables.



Copyright © 2017 Mitel Networks Corporation. All Rights Reserved. The Mitel word and logo are trademarks of Mitel Networks Corporation. Any reference to third-party trademarks is for reference only and Mitel makes no representation of ownership of these marks.
Part Number: 800-1891-10



Powering connections



BB424 Quick Install Guide

Connecting a Single BB424 to a Phone

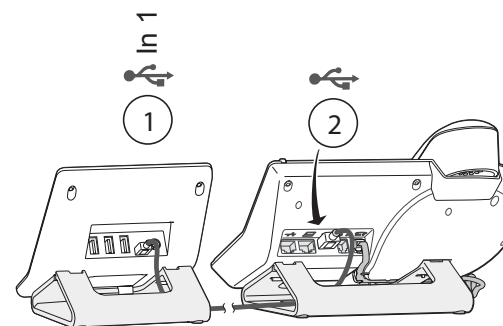
Required Items:

- Micro USB cable (included)
- IP485g phone

Connect the BB424 to the Phone:

1. The BB424 is shipped with the micro USB cable already plugged into the back of it. Ensure that it is plugged in firmly.
2. Thread the free end of the micro USB cable from the side of the BB424 stand through the side of the IP485g phone stand. Plug the USB jack into the USB port on the rear of the IP485g phone.

After a few seconds, the BB424 powers on and runs through a series of system tests.



Connecting a Second BB424 (Optional) Requires Power

Required Items:

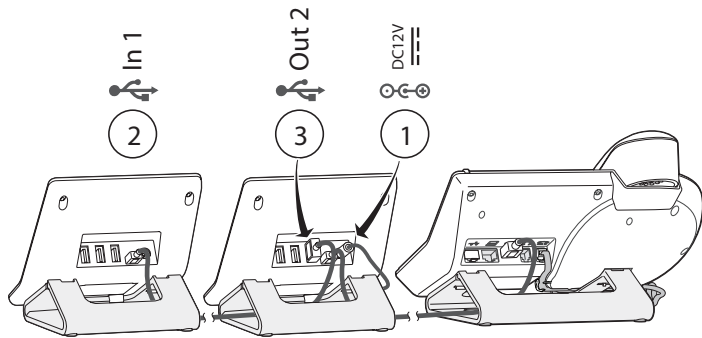
- AC Adapter (not included)
- Micro USB cable for connecting the second BB424 to the first BB424 (included)

Connect a Second BB424 to the First BB424:

This procedure assumes that you have already connected one BB424 to a phone, as described in “Connecting a Single BB424 to a Phone” on pg. 1.

1. On the rear of the first BB424, connect the AC adapter. Then connect the other end of the power cord to an appropriate power source.
2. The BB424 is shipped with the micro USB cable already plugged into the back of it. Ensure that it is plugged in firmly.
3. Thread the free end of the USB cable from the side of the second BB424’s stand through the side of the first BB424’s stand. Plug the USB jack into the Out 2 USB port on the first BB424.

After a few seconds, the second BB424 powers on and runs through a series of system tests.



Connecting a Third BB424 (Optional) (No Additional Power Source Required)

Required Items:

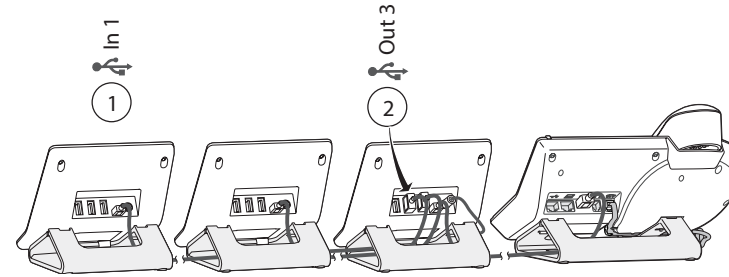
- Micro USB cable for connecting the third BB424 to the first BB424 (included)

Connect a Third BB424 to the First BB424:

This procedure assumes that you have already connected two BB424s to a phone, as described in “Connecting a Second BB424” above.

1. The BB424 is shipped with the micro USB cable already plugged into the back of it. Ensure that it is plugged in firmly.
2. Thread the free end of the micro USB cable from the side of the third BB424’s stand through the second BB424’s stand and then through the side of the first BB424’s stand. Plug the USB jack into the Out 3 USB port on the first BB424.

After a few seconds, the third BB424 powers on and runs through a series of system tests.



Connecting a Fourth BB424 (Optional) (No Additional Power Source Required)

Required Items:

- Micro USB cable for connecting the fourth BB424 to the first BB424 (included)

Connect a Fourth BB424 to the First BB424:

This procedure assumes that you have already connected three BB424s to a phone, as described in “Connecting a Third BB424” on pg. 2.

1. The BB424 is shipped with the micro USB cable already plugged into the back of it. Ensure that it is plugged in firmly.
2. Thread the free end of the USB cable from the side of the fourth BB424’s stand through the stands of the third and second BB424s and through the side of the first BB424’s stand. Plug the USB jack into the Out 4 USB port on the first BB424.

After a few seconds, the fourth BB424 powers on and runs through a series of system tests.

