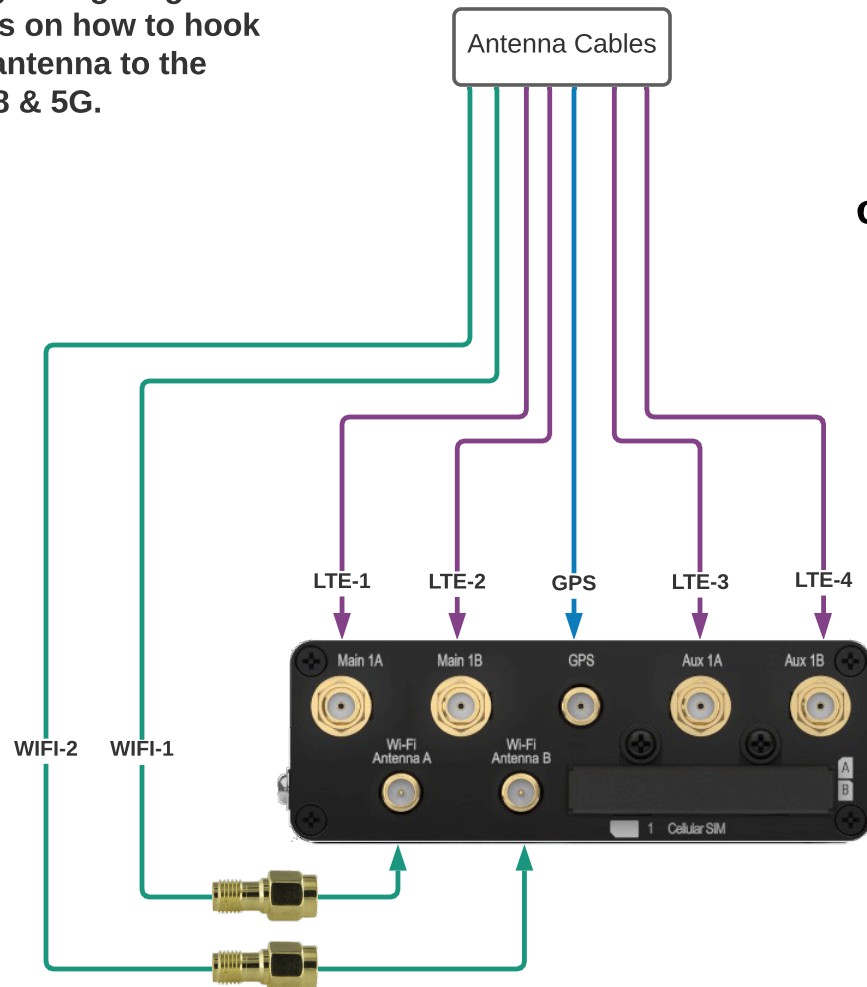




**Speed Demon & Transit 5G  
Pepwave Transit CAT 18 and 5G Paired with  
Poynting MIMO-3 "7-in-1" Antenna  
Wiring Diagram  
Version 1.1  
Author: Erik McCauley**



The Pepwave Transit CAT 18 included in our Speed Demon + bundle has quite a few antenna ports. The following wiring diagram shows our recommendations on how to hook up the Parsec Husky 7-in-1 antenna to the Pepwave Max Transit CAT 18 & 5G.



**Note:**  
Line color in diagram matches  
color of label on antenna cable.

**ALERT:**  
ADAPTERS REQUIRED  
RP-SMA to SMA ADAPTERS  
INCLUDED IN ANTENNA  
ACCESSORY BAG.