

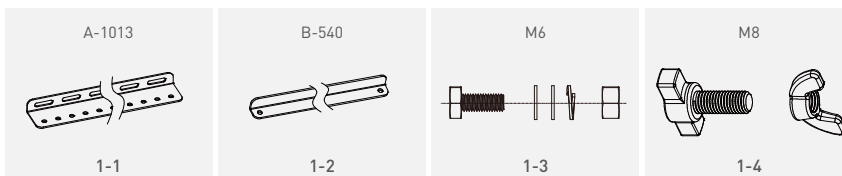
NPB-400T

Bracket kit

The Newpowa T series mounting kits are designed for Newpowa solar panels. They are also compatible with most non Newpowa branded solar modules.

SPECIFICATIONS

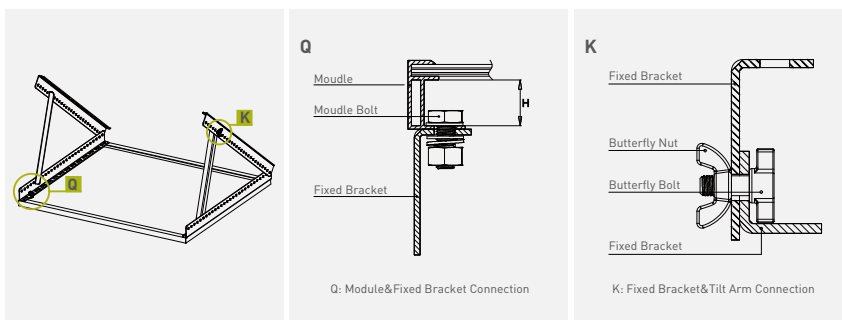
Mounting Type	Tilt Mount Bracket
Module Type	Grid Tie Panel or two 100W(20inch width)
Number of Modules	Mounts 1 or 2 Panels
Setting Angle	Tilt Range From 20° to 90°
Wind Load	Designed to withstand wind speeds of 90mph
Snow Loading	1.1kN/m ²
Warranty	1 Year



KIT COMPONENTS

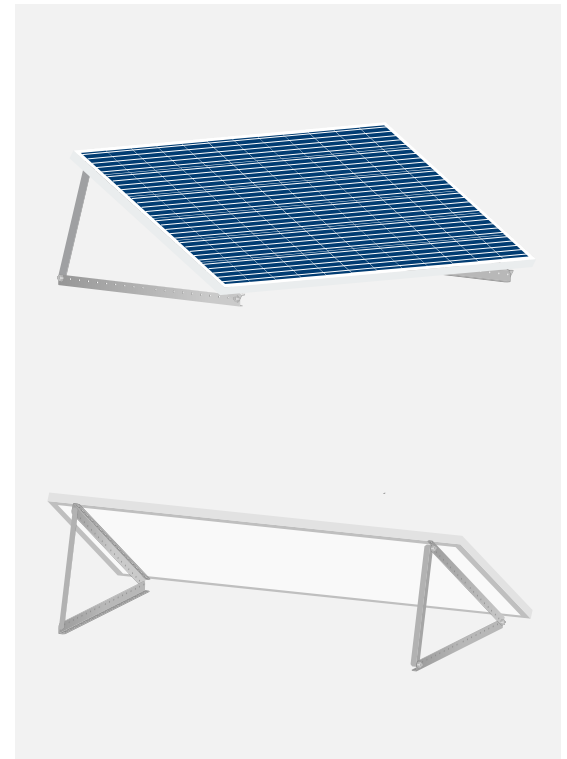
Diagram	Component	Material	Surface Treatment	Quantity	Dimensions
1-1	Fixed Bracket	Aluminum Alloy	N/A	4	A-1013=39.9×1.8×1.1in
1-2	Tilt Arm	Aluminum Alloy	N/A	2	B-540=21.3×1.6×1in
1-3	Screw Set	Stainless Steel	N/A	4	M6=6×20mm
1-4	Screw Set&Wing Nut	Stainless Steel	N/A	6	M8=8×20mm

MOUNTING DIAGRAM



Note:

This kit may be used with another brand of panel with some slight modifications.



702-628-7600



sales@newpowa.com



www.newpowa.com



1460 E Cedar St, Ontario, CA 91761



Newpowa
BE WISE GO SOLAR