

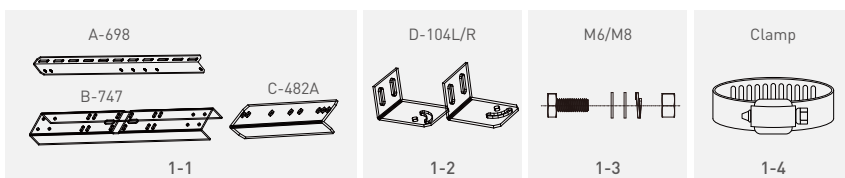
# NPB-200P

## Double Arm Side of Pole/ Wall Mount

Thank you for purchasing Newpowa products. NPB-200P mounting kits are designed for one 100W/200W solar panel at an tilt angle from 0° - 90°

### SPECIFICATIONS

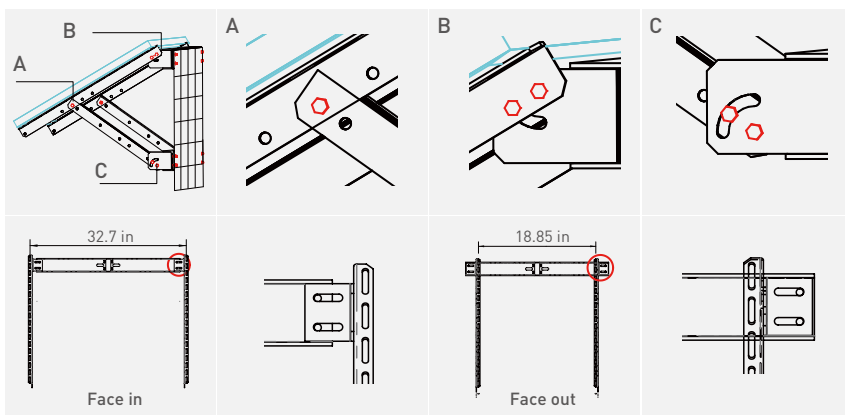
Mounting Type	Double Arm Side of Pole/Wall Mount
Module Type	Specifically designed to work with Newpowa Solar panels, but can be adapted for use with other panels
Number of Modules	Mounts 1 Panel
Setting Angle	0°-90°
Wind Load	Designed to withstand wind speeds of 90mph
Snow Loading	1.1kN/m <sup>2</sup>
Warranty	1 Year



### KIT COMPONENTS

Diagram	Component	Material	Surface Treatment	Quantity	Dimensions
1-1	Fixed Bracket	Aluminum Alloy	N/A	2/2/2	A-698=27.5×1.97×1.1in, B-747=29.4×3.3×1.9in C-482A=19×1.7×1.1in
1-2	Fixed Bracket	Aluminum Alloy	N/A	2/2	D104L/R=4.1×3×2.5in
1-3	Bolts	Stainless Steel	N/A	4/18	M6=6×18mm, M8=8×20mm
1-4	Clamp	Stainless Steel	N/A	4	Clamp=1×7/8×5in

### MOUNTING DIAGRAM



#### Note:

When using this kit with another brand of panel you may need to change the module bolts to suit the mounting holes on the panel. M8 & M6 bolts are provided with this kit for your preference.

