

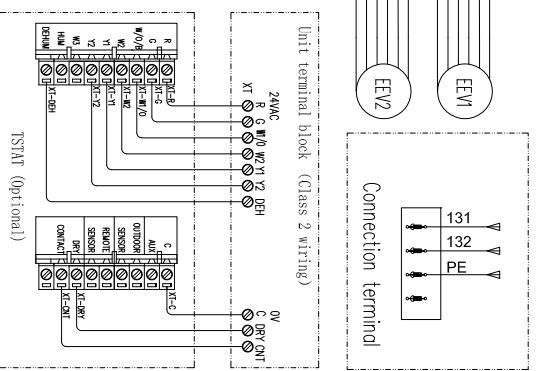
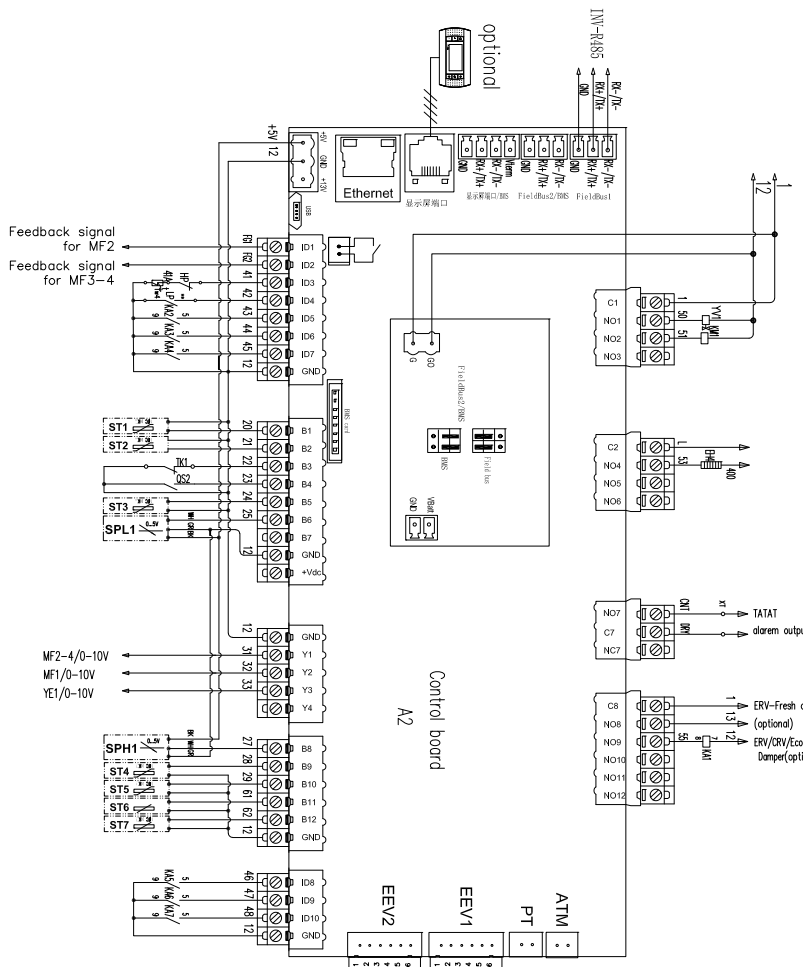
Note:

1: Evaporator fan function selection as the list

2: Compressor variable frequency drive function selection as the list

Unit type	CONDENSER	EVAPORATOR
TMW	X1	X2
MF3	B1	B2

Unit type	CONDENSER	EVAPORATOR
NV	FX30X250V0	FX30X250V0



SN	Mark	Name	SN	Mark	Name
01	OS1	Leading switch	19	TK4	Condenser Fan overheat switch
02	QF	Breaker	20	PU	Thermalize for heating
03	KM1	Electric heaters Contactor	21	TW	Temperature switch for heating
04	KA	Relay	22	ST7	Condenser fin temperature (optional)
05	TC1	Transformer	23	ST8	Fin temperature of evaporator
06	MF1	Compressor fan	24	ST5	Suction temperature (EEV1)
07	MF2..4	Evaporator fan	25	ST4	Suction temperature (EEV2)
08	MF5s...	ERV-Fresh air fan (Optional)	26	S12	Exhaust temperature
09	INV	Inverter	27	S12	Outdoor temperature
10	MC1	Compressor	28	ST1	Return air temperature
11	EH4	Crackcase heater	29	AFD	Dust sensor (optional)
12	EH-3	Electric heaters (Optional)	30	YE1	ERV/ERV-Economizer-Damper (optional)
13	HP	High-pressure switch	31	EEV1	Electronic expansion valve 1
14	SPH	High pressure Transducer	32	EEV2	Electronic expansion valve 2
15	SRU	Low pressure Transducer	33	VV1	Reversing valve
16	EVV	Electronic expansion valve	34	IM1	Junction box (optional)
17	XT	Terminal board	35	IP	Control board
18	TSMT	Thermostat (optional)	36	IP	Low-pressure switch

Wiring Diagram

Models

- CV36HZB-AMAXX-XOXX
- CV60HZB-AMAXX-XOXX

PART#:1170105570