

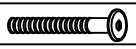

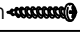


ASSEMBLY INSTRUCTIONS

Read these instructions carefully. Refer to hardware and furniture parts list for guidance. Be sure all parts are complete, before assembling. Place all wooden furniture parts on a clean and flat soft surface to prevent scratches. Refer to steps provided as assembling guide.

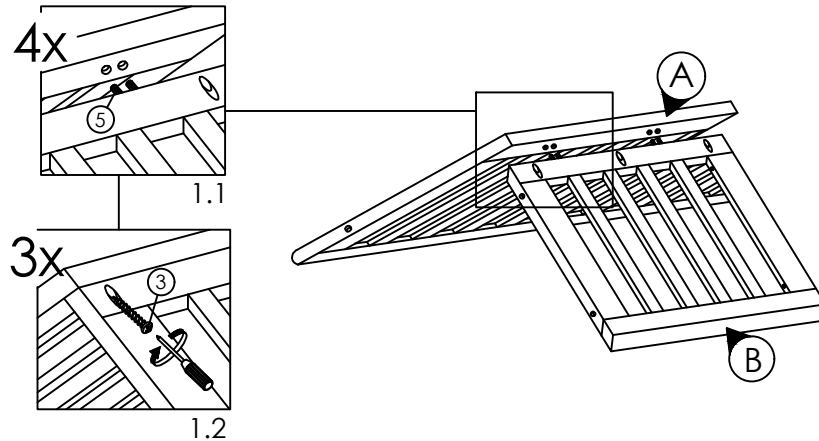
CAUTIONS :

1. Do not **FULLY-TIGHTEN** the nuts or nut bolts until all are in place.
2. To prevent thread damage. Ensure that nuts or nut bolts are not over-tightened.
3. Hardware is to be kept out of reach of children.
4. When placing dowels(5) in seat/back frame, do not let weight of the pieces stress the dowels before screws are inserted(prop chair against wall, or have a helper support frame while inserting the screws).

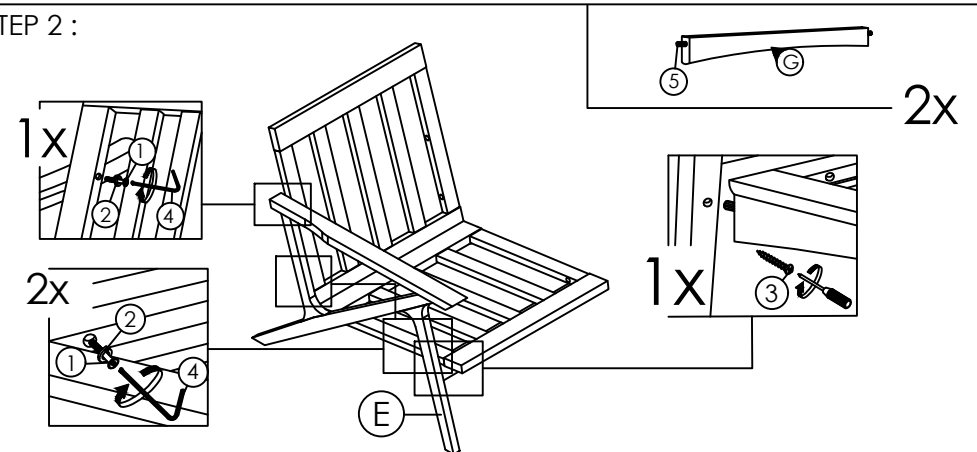
PART LIST		
ITEM	DESCRIPTION	QTY
A	BACK FRAME	1 PC
B	SEAT FRAME	1 PC
C	CUSHION SEAT	1 PC
D	CUSHION BACK	1 PC
E	CHAIR LEG LEFT	1 PC
F	CHAIR LEG RIGHT	1 PC
G	RAIL	1 PC

HARDWARE LIST		
ITEM	DESCRIPTION	QTY
1	JCBC SCREW M6 x 60MM 	6 PCS
2	SPRING WASHER 1/4" 	6 PCS
3	PAN HEAD WOOD SCREW M5 X 32mm 	7 PCS
4	ALLEN KEY M4 (BALL SHAPE) 	1 PC
5	WOOD DOWEL DIA 10 x 35MM 	6 PCS

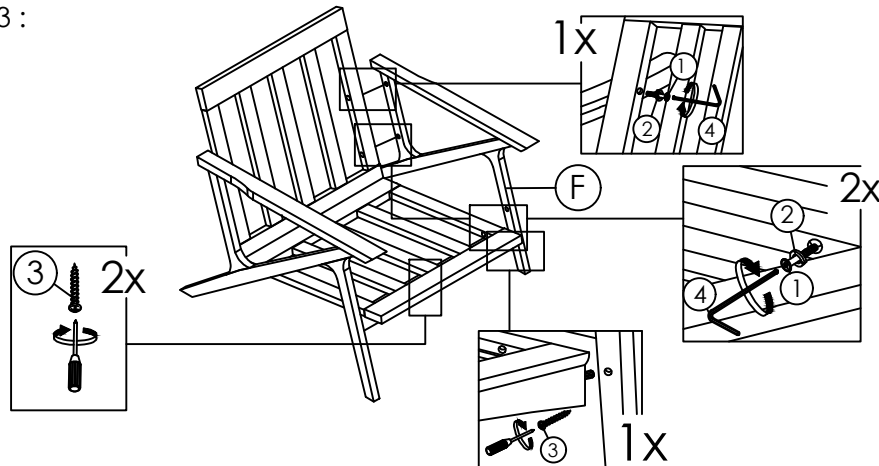
STEP 1 :



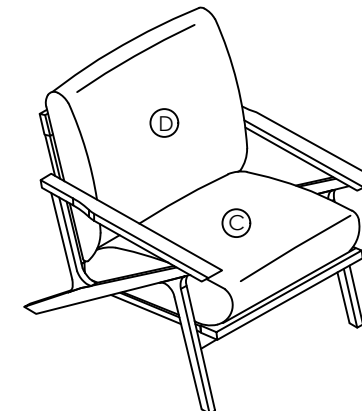
STEP 2 :



STEP 3 :



STEP 4 :



COMPLETED CHAIR ASSEMBLY