



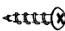



# ASSEMBLY INSTRUCTIONS

MODEL : 295-4CHRMIDCNTRY

**IMPORTANT NOTE :**

- \* PLACE ALL WOODEN PARTS ON A CLEAN AND SMOOTH SURFACE SUCH AS A RUG OR CARPET TO AVOID THE PARTS FROM BEING SCRATCHED.
- \* BEFORE YOU BEGIN, KINDLY FOLLOW THE ASSEMBLY INSTRUCTIONS STEP BY STEP.
- \* DO NOT TIGHTEN ALL SCREWS UNTIL THE CHAIR IS FULLY SET-UP.

HARDWARE LIST			
A	JCBC M6 X 25mm + S/W M6 + F/W M6 X 13mm		4PCS
B	JCBC M6 X 45mm + S/W M6 + F/W M6 X 13mm		4PCS
C	ALLEN KEY M4		1PC
D	L BRACKET		4PCS
E	PH SCREW M4 X 12mm		8PCS
F	WOOD DOWEL M8 x 25		2PCS

PART LIST		
1	RIGHT SIDE FRAME	1PC
2	LEFT SIDE FRAME	1PC
3	FRONT STRETCHER	1PC
4	BACK STRETCHER	1PC
5	TOP REST	1PC
6	CUSHION SEAT	1PC

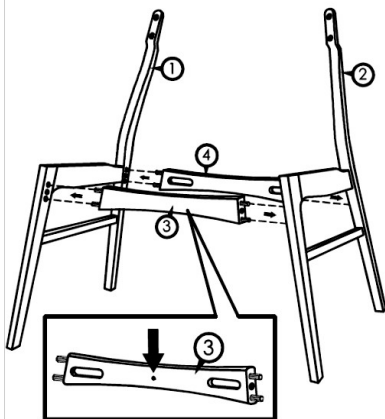
**CAUTIONS :**

**(1) DO NOT FULLY-TIGHTEN THE NUT OR NUT BOLTS INITIALLY UNTIL ALL NUTS OR BOLT IS READY ASSEMBLED.**

**( TO AVOID CAUSING DAMAGES TO THE THREAD, DO NOT OVER-TIGHTEN THE NUTS OR BOLTS. )**

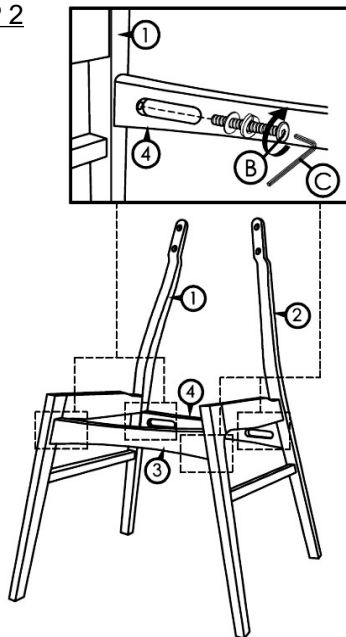
**(2) KEEP ALL HARDWARE PART OUT OF REACH OF CHILDREN.**

**STEP 1**

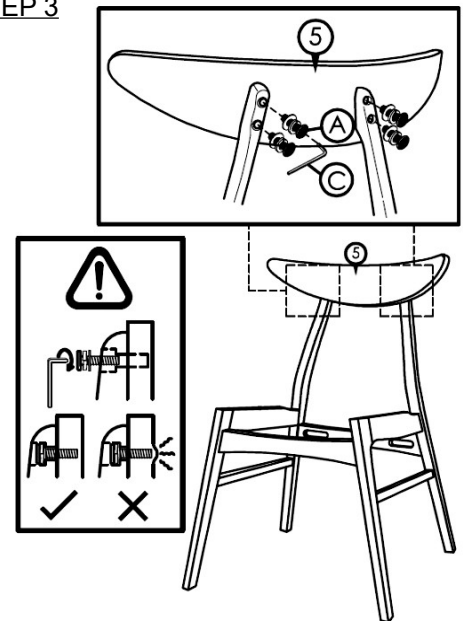


Front Stretcher has a small hole for identification.

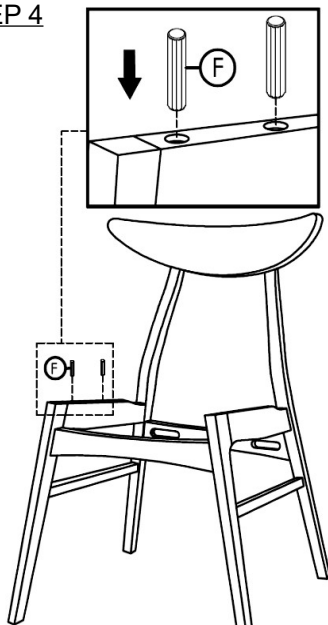
**STEP 2**



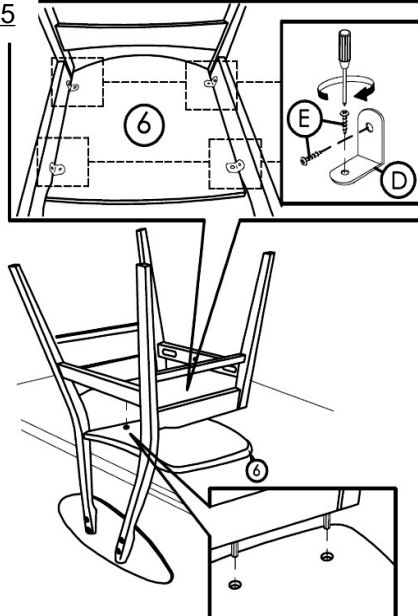
**STEP 3**



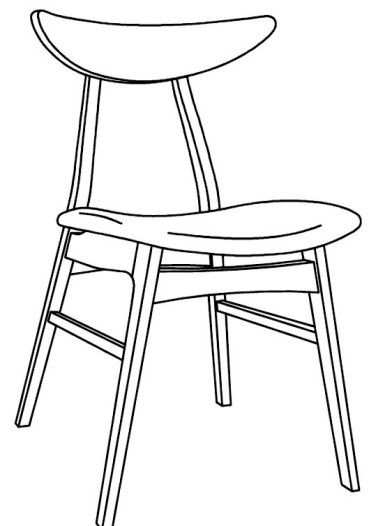
**STEP 4**



**STEP 5**



**STEP 6**



COMPLETE CHAIR ASSEMBLY