

ZENVIDA

Product name: Mid Century Armchair
SKU: 295-ARMCHRMID
EMAIL: priority@zenvidahome.com
TEL: 855-349-4327
<http://bit.ly/ZENVIDA>



*****WARNING*****

Power tools may strip bolts or screws. Hand tighten bolts to only about 75% tight. Do NOT completely tighten any bolt during assembly until all bolts are connected.

Reaching out via product review, marketplace email, social media or leaving seller feedback may cause a delay in response. If you have questions about this product or need anything, please contact us. You are our priority!

ASSEMBLY INSTRUCTIONS

Read these instructions carefully. Refer to hardware and furniture parts list for guidance. Be sure all parts are complete, before assembling. Place all wooden furniture parts on a clean and flat soft surface to prevent scratches. Refer to steps provided as assembling guide.

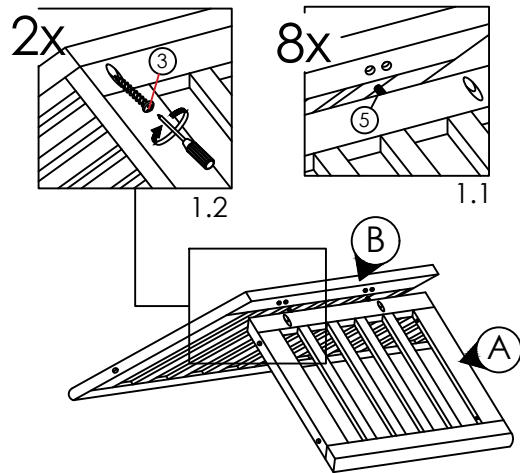
CAUTIONS :

1. Do not **FULLY-TIGHTEN** the nuts or nut bolts until all are in place.
2. To prevent thread damage. Ensure that nuts or nut bolts are not over-tightened.
3. Hardware is to be kept out of reach of children.

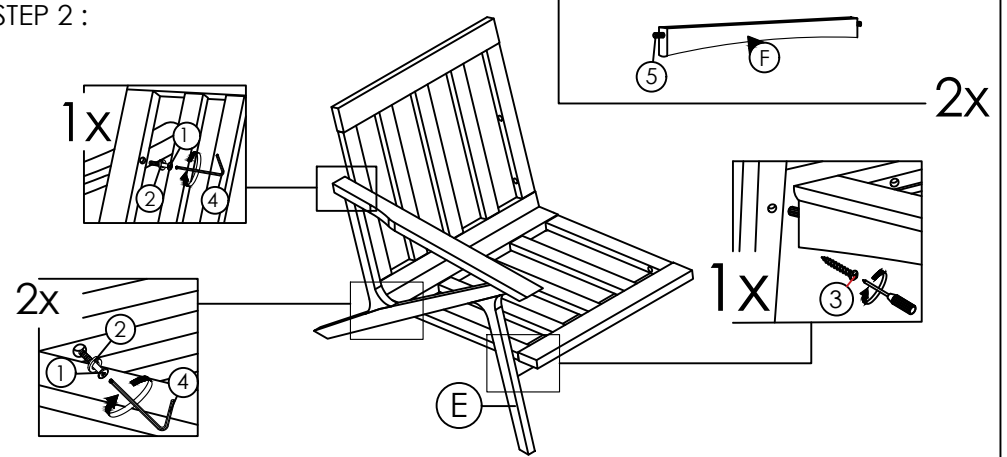
PART LIST		
ITEM	DESCRIPTION	QTY
A	BACK FRAME	1 PC
B	SEAT FRAME	1 PC
C	CUSHION SEAT	2 PCS
D	CUSHION BACK	2 PCS
E	CHAIR LEG (L & R)	2 PCS
F	RAIL	1 PC

HARDWARE LIST		
ITEM	DESCRIPTION	QTY
1	JCBC SCREW M6 x 60MM 	6 PCS
2	SPRING WASHER 1/4" 	6 PCS
3	PAN HEAD WOOD SCREW M5 X 32mm 	8 PCS
4	ALLEN KEY M4 (BALL SHAPE) 	1 PC
5	WOOD DOWEL DIA 10 x 35MM 	2 PCS

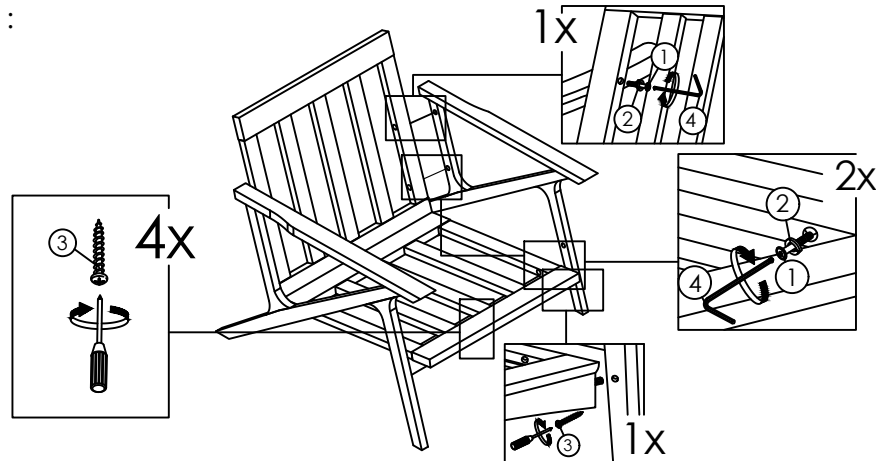
STEP 1 :



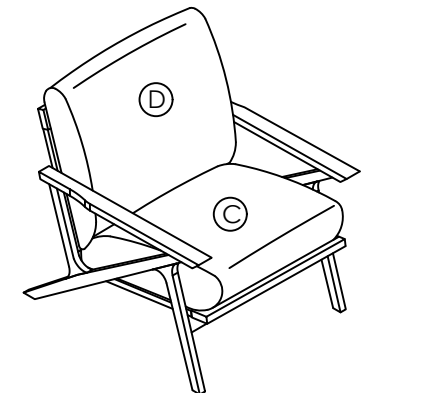
STEP 2 :



STEP 3 :



STEP 4 :



COMPLETED CHAIR ASSEMBLY