

# ZENVIDA

Product name: Zenvida Slipper Chair  
SKU: 245-SLIPPER  
EMAIL: [priority@venditiogroup.com](mailto:priority@venditiogroup.com)  
TEL: 855-349-4327  
<http://bit.ly/ZENVIDA>



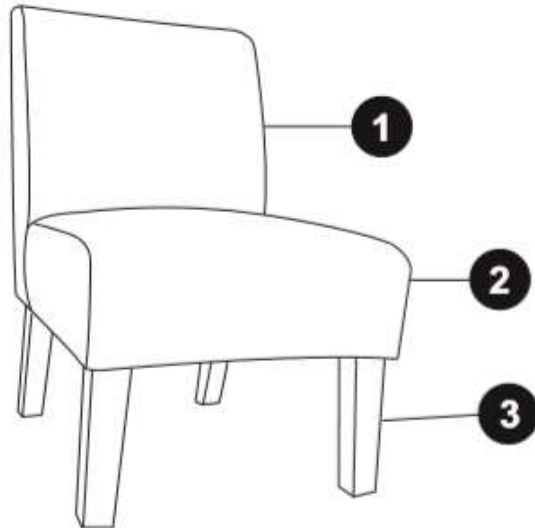
Reaching out via product review, marketplace email, social media or leaving seller feedback may cause a delay in response. If you have questions about this product or need anything, please reach out. You are our priority!






# ZENVIDA

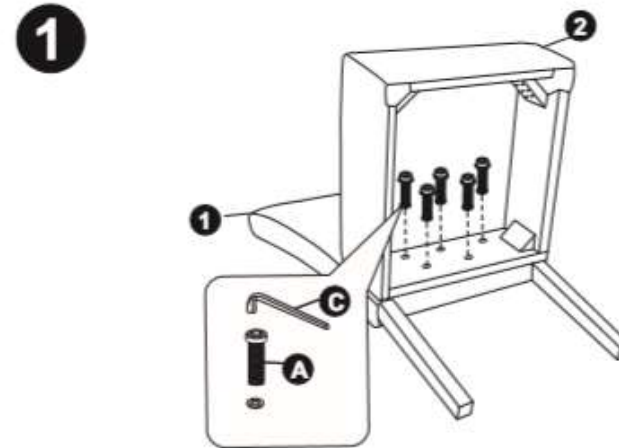
Product name: Zenvida Slipper Chair  
 SKU: 245-SLIPPER  
 EMAIL: [priority@venditiogroup.com](mailto:priority@venditiogroup.com)  
 TEL: 855-349-4327  
<http://bit.ly/ZENVIDA>

## ASSEMBLY INSTRUCTION

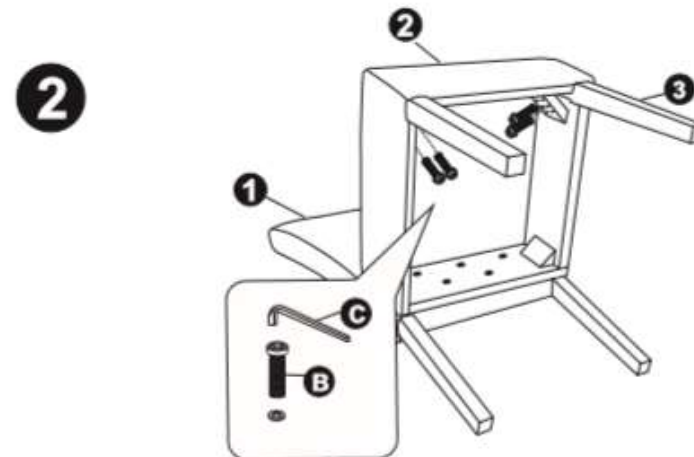
| HARDWARE LIST | CODE | PARTS     | QTY. |
|---------------|------|-----------|------|
|               | 1    | BACK      | 1    |
|               | 2    | SEAT      | 1    |
|               | 3    | FRONT LEG | 2    |



| HARDWARE LIST | CODE | PARTS   | QTY. |
|---------------|------|---|------|
|               | A    | M8x50MM   | 5    |
|               | B    | M8x60MM   | 4    |
|               | C    | ALLEN KEY    | 1    |



Put the screws in the holes, tight the screws, but not too tight, 90% is ok.

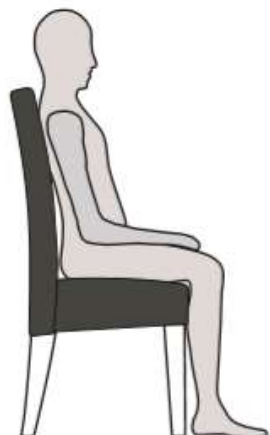


Put the screws in the holes, tight the screws, but not too tight, 90% is ok.

# ZENVIDA

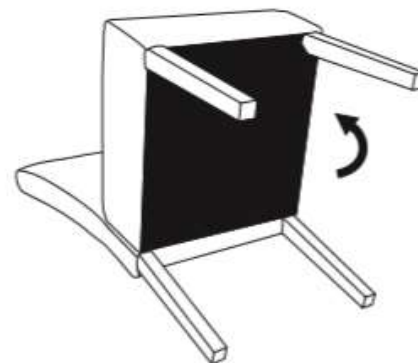
Product name: Zenvida Slipper Chair  
SKU: 245-SLIPPER  
EMAIL: [priority@venditiogroup.com](mailto:priority@venditiogroup.com)  
TEL: 855-349-4327  
<http://bit.ly/ZENVIDA>

3



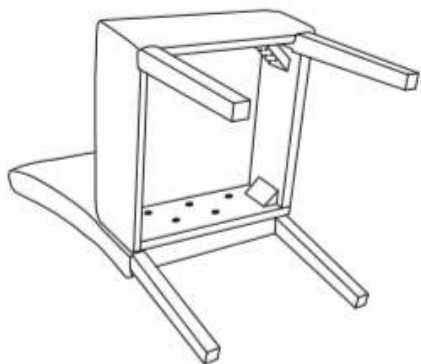
Then adjust the balance of the chair.

5



Stick the black part on the seat

4



Tight all the screws to 100%

6



Tight all the screws to 100%