

# ZENVIDA

Product name: Zenvida 5 Pc Dining Set  
SKU: 290-DNGTBL5PCBCH  
EMAIL: [priority@zenvidahome.com](mailto:priority@zenvidahome.com)  
TEL: 855-349-4327  
<http://bit.ly/ZENVIDA>



Reaching out via product review, marketplace email, social media or leaving seller feedback may cause a delay in response. If you have questions about this product or need anything, please contact us. You are our priority!

**\*\*\*WARNING\*\*\***

Power tools may strip bolts or screws. Hand tighten bolts to only about 75% tight. Do NOT completely tighten any bolt during assembly until all bolts are connected.

# ZENVIDA

Product name: Zenvida 5 Pc Dining Set  
SKU: 290-DNGTBL5PCBCH  
EMAIL: [priority@zenvidahome.com](mailto:priority@zenvidahome.com)  
TEL: 855-349-4327  
<http://bit.ly/ZENVIDA>



Thank you for your purchase of the Zenvida 5 Piece Dining Set Rustic Grey Wooden Kitchen Table and 4 Chairs.












- Ensure all hardware, small parts and components are present before beginning assembly (see list). Allen wrench and open wrench included, drill not included.
- Assemble on a soft, smooth surface to prevent damage to product finish.
- Adult assembly required.
- Assembly and handling may require two people.
- Estimated assembly time is 60 minutes.
- Use the enclosed tools. If using power tools for assembly, use extreme care.
- Do not tighten screws all the way until fully assembled.
- There are extra screws included.
- Chair weight limit is 225 lbs. Do not stand on chairs (or table). Do not tip or lean chair while seated. Do not exceed the chair weight limit.

# ZENVIDA

Product name: Zenvida 5 Pc Dining Set  
SKU: 290-DNGTBL5PCBCH  
EMAIL: [priority@zenvidahome.com](mailto:priority@zenvidahome.com)  
TEL: 855-349-4327  
<http://bit.ly/ZENVIDA>

## Chair hardware and parts

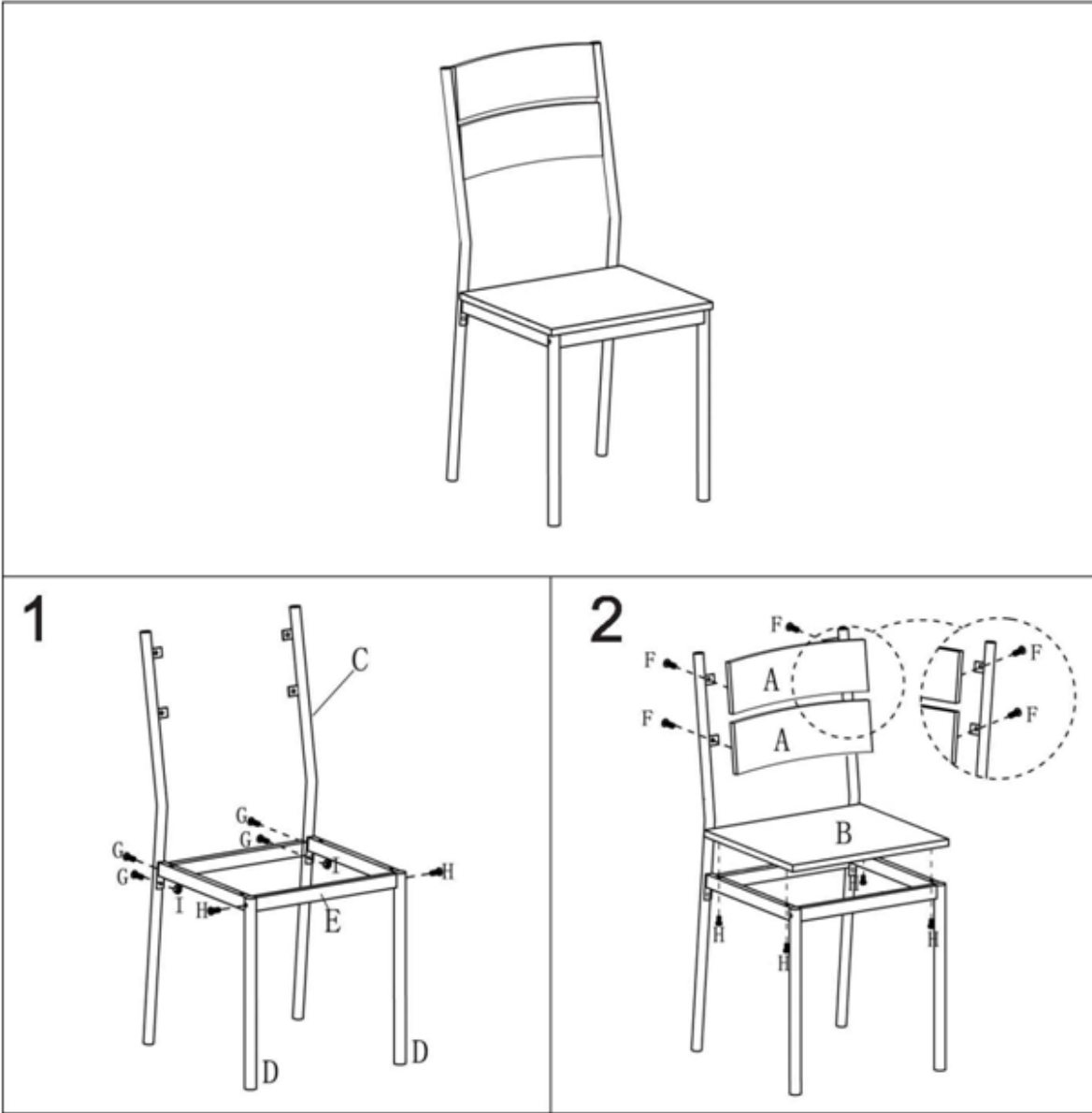
**\*\*NOTE\*\*** Extra hardware included: Part F x1, Part G x1, Part H x2, Part I x1

A		8 PCS
B		4 PCS
C		4 PCS
D		8 PCS
E		4 PCS
F	 M6 × 12mm	16 PCS
G	 M6 × 35mm	16 PCS
H	 M6 × 40mm	24 PCS
I		8 PCS
J		1 PC
K		1 PC

# ZENVIDA

Product name: Zenvida 5 Pc Dining Set  
SKU: 290-DNGTBL5PCBCH  
EMAIL: [priority@zenvidahome.com](mailto:priority@zenvidahome.com)  
TEL: 855-349-4327  
<http://bit.ly/ZENVIDA>

## Chair assembly


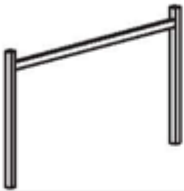






# ZENVIDA

Product name: Zenvida 5 Pc Dining Set  
SKU: 290-DNGTBL5PCBCH  
EMAIL: [priority@zenvidahome.com](mailto:priority@zenvidahome.com)  
TEL: 855-349-4327  
<http://bit.ly/ZENVIDA>

## Table hardware and parts

**\*\*NOTE\*\*** Extra hardware included: Part D x1, Part E x1

A		1PC
B		2PCS
C		2PCS
D	 M6 × 50mm	4PCS
E	 M6 × 12mm	8PCS
F		1PC

# ZENVIDA

Product name: Zenvida 5 Pc Dining Set  
SKU: 290-DNGTBL5PCBCH  
EMAIL: [priority@zenvidahome.com](mailto:priority@zenvidahome.com)  
TEL: 855-349-4327  
<http://bit.ly/ZENVIDA>

## Table assembly

